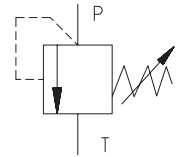


Declaration of Conformity according to Act No. 22/1997, Coll., CE 1017

- The product has been certified by TÜV SÜD Czech s.r.o.
- The product is supplied together with the Declaration of Conformity according to Act No. 22/1997, Coll., CE 1017
- Each product is supplied with the "Instructions for use of the safety valve" VPP2-06-SV/xx-CE1017"
- Single-stare pressure relief valve
- Screw-in cartridge valve

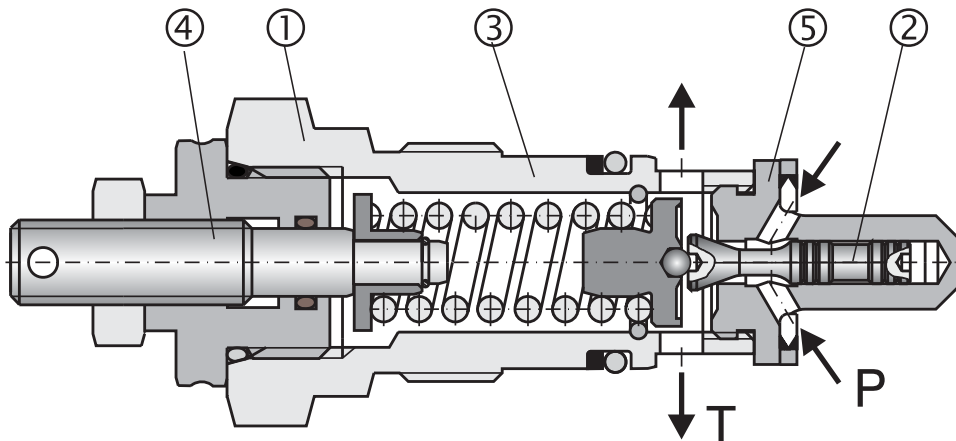


Functional Description

Pressure relief valves VPP2 were designed for applications requiring a safety valve or a pressure regulating valve working over a wide range of pressures and flow rates.

The valve consists of the valve body (1), poppet with damping spool (2) and compression spring (3). Pressure is manually set by an adjustment screw (4). The spring pushes the poppet into the seat (5) holding the valve in its normally closed position. When the force, caused by the pressure acting on the exposed surface area of the poppet, exceeds the spring force, the valve opens and the flow passes from port P to port T.

Blackening is used as the product basic finish.



Technical Data

Valve size		06
Maximum flow	L/min (GPM)	50 (13.2)
Max. service pressure ports (P, T)	bar (PSI)	320 (4600)
Working pressure related to flow	bar (PSI)	see p-Q characteristics
Hydraulic fluid		Hydraulic oils of power classes (HL, HLP) to DIN 51 524
Fluid temperature range for standard sealing (NBR)	°C (°F)	-30 ... +100 (-22 ... +212)
Viscosity range	mm ² /s (SUS)	20 ... 400 (98 ... 1840)
Maximum degree of fluid contamination		Class 21/18/15 to ISO 4406
Weight	kg (lbs)	0,4 (0.879)
Mounting position		unrestricted

Ordering Code

VPP2-06-S V/ - CE1017- -

Directly Operated Pressure Relief Valves

Setting at flow rate (L/min)

Adjusted pressure (MPa)

Valve size

Declaration of Conformity
according to Act No. 22/1997, Coll., CE 1017

Adjustment option

Hexagon set screw locknut 5mm

2
6
10
16
25
32

Pressure range in bar (PSI)

Max. up to 25 (360)

Max. up to 63 (910)

Max. up to 100 (1450)

Max. up to 160 (2300)

Max. up to 250 (3600)

Max. up to 320 (4600)

Model

Screw-in cartridge valve

If not preset valves are ordered, pressure and flow rate information is not shown.

Valves adjusted at the manufacturer

- The valves are adjusted for the specified pressure at the relevant flow rate and they are fitted with tamper-indicating seals. The pressure and flow rate values are indicated in the valve description on the product [pressure: in MPa, flow rate in L/min].
- The seals bear the company logo

Not preset Valves at the manufacturer

- These valves have no tamper-indicating seals.
- No adjusted pressure and flow rate are indicated for not preset valves - VPP2-06-SV/xx-CE1017.
- After the completion of the functional test, the adjusting screw is completely loosened and the pressure is set to $p = 0$ bar.
- For the adjustment of the valve required pressure, proceed as follows:
 - by turning the adjusting screw to the right (position 4), the pressure is increasing;
 - by turning to the left, the pressure is decreasing.
- The manufacturer accepts no responsibility for the adjustment, securing and sealing the valve.

Residual risks

Preventive measures against the occurrence of residual risks

a) Use and performance properties

- The product may be used only within the range of parameters as set out herein.
- The parameters of the source of the operating pressure liquid must not exceed the valve maximum parameters. The selected range of valve setting (pressure level) must correspond to the intended use.

b) Identification and adjustment

- The product type marking must remain clearly visible.
- The valve adjustment, as guaranteed by the manufacturer, must not be changed.
- No damage and/or removal of the manufacturer's tamper-indicating seal are permissible.

c) Handling and storage

- Any valve dismantling by the customer is strictly forbidden.
- While handled and stored, the valve must be protected against any damage, corrosion or contamination.

d) Installation

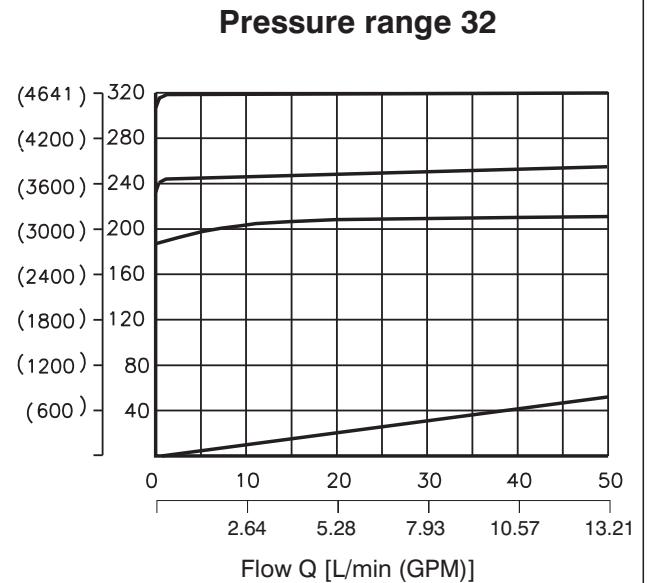
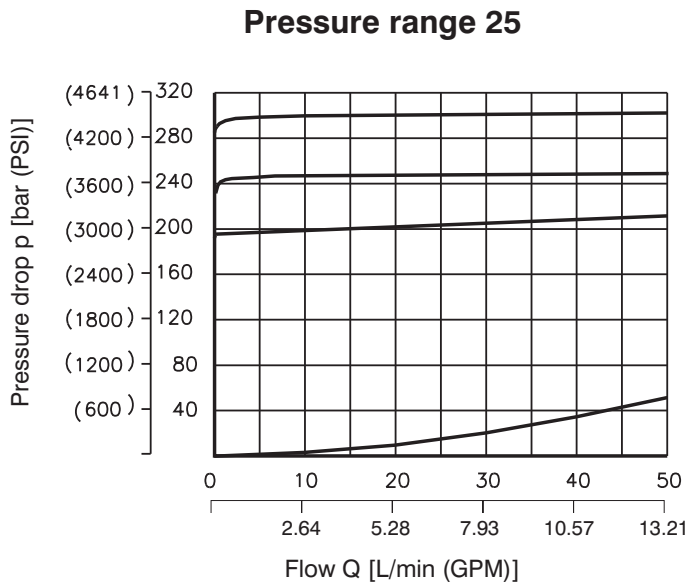
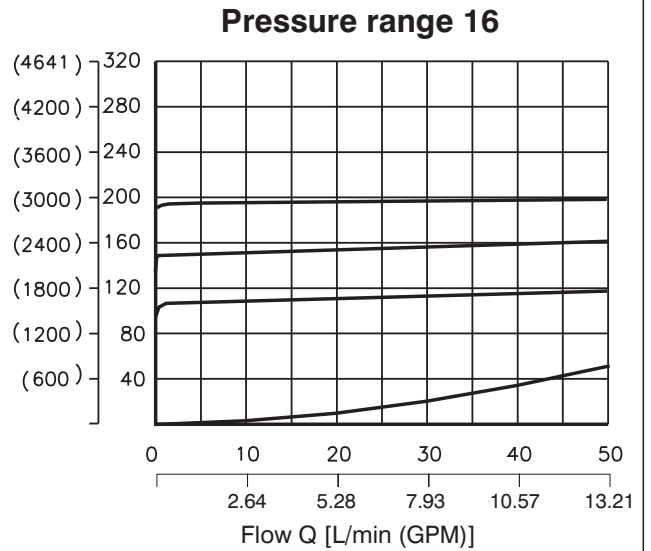
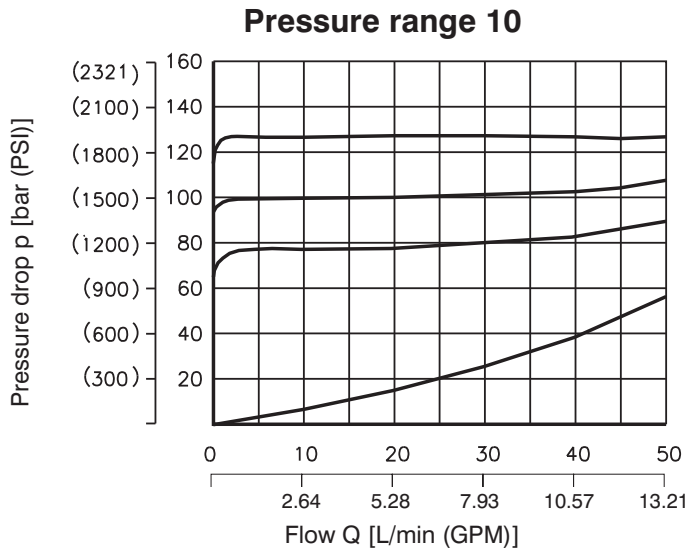
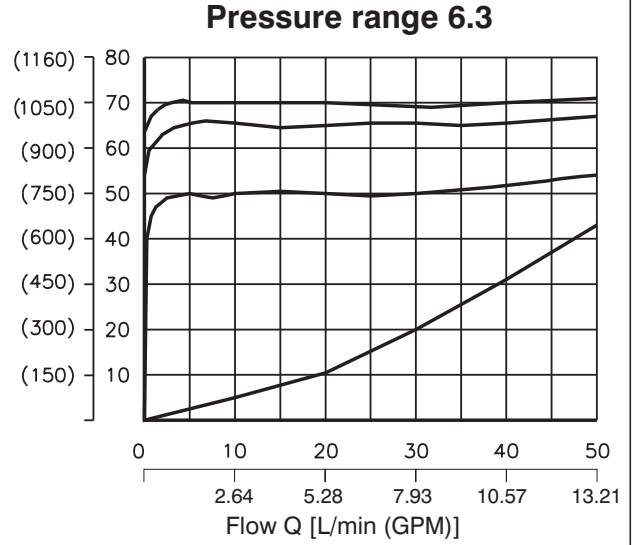
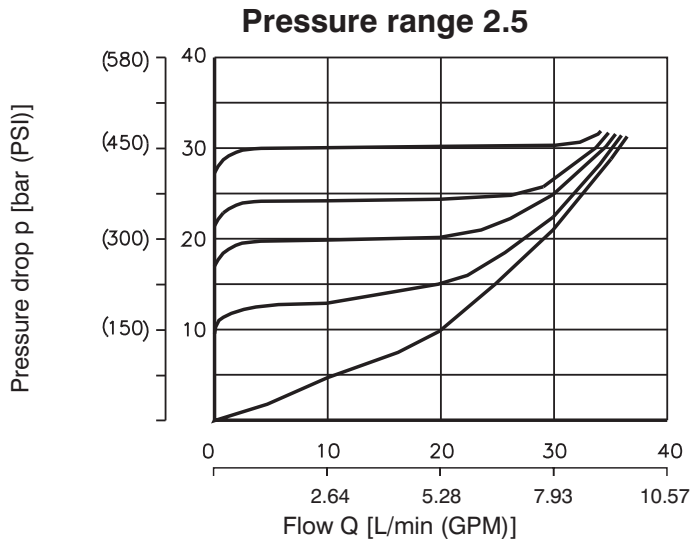
- Dimensions and geometry of the valve chamber must correspond to the drawing shown herein.
- Before the installation, the valve and the chamber must be protected against contamination.
- The valve external gasket must not be damaged.
- Sealing surfaces in the chamber must not be damaged.
- In order to prevent any damage, adequate tools must be used for the valve installation.
- If fitted into a block, the tightening torque specified for the valve must be observed.

e) In service

- The working liquid in the circuit must meet the approved level of purity.
- While under pressure, any handling with the valve is prohibited. An exception from this rule is the adjustment of the opening pressure in the case of valves not preset at the manufacturer's place.
- The adjusting screw position must be secured by tightening of the safety nut.
- Any damaged or leaking valve, as well as any valve affected by corrosion or showing a function loss or malfunction must be immediately withdrawn from the service and replaced by a fully functional one.

p-Q Characteristic

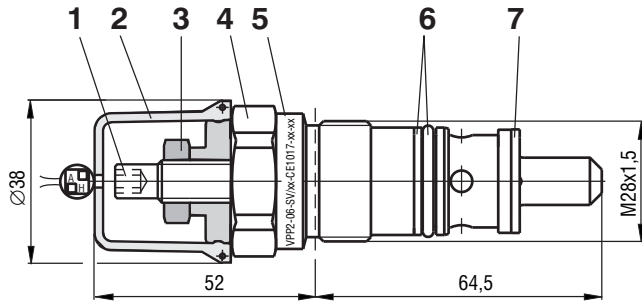
Measured at $\nu = 32 \text{ mm}^2/\text{s}$ (156 SUS)



Valve Dimensions

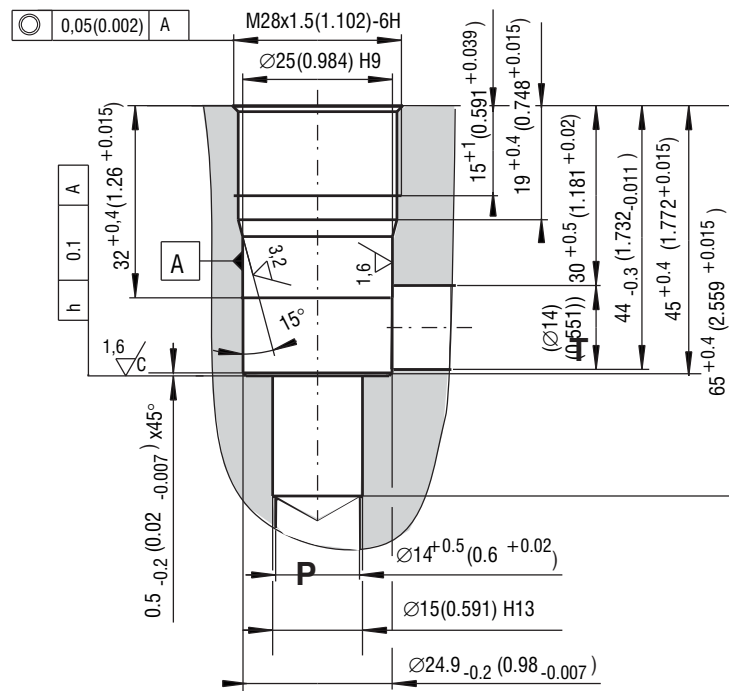
Dimensions in millimeters (inches)

Cartridge valve - model „V“



- 1 Screw adjustment model „S“ (inside HEX 5)
- 2 Protective cap
- 3 Locknut HEX16
- 4 Wrench flats HEX 32
Tightening torque 80 Nm (59ft-lbf)
- 5 Distance to remove the key
- 6 Seal: Back-up ring M8-116
O-ring 20 x 2,65 NBR70
supplied with valve
- 7 Seal: D 17,4 x 24 x 1,5-NSA
supplied with valve

Cavity



Spare Parts

Dimensions in millimeters

Seak kit for cartridge valve

Type	Dimensions, quantity			Order number
	O-ring	Back-up ring	U-Seal	
Standard NBR	20 x 2,65 (1 pc)	19,43 x 23,79 x 1,14 (1 pc)	17,4 x 24 x 1,5 (1 pc)	16757100

Caution!

- The packing foil is recyclable.
- The protective plate can be returned to manufacturer.
- The valves are wrapped in polyethylene bags (vacuum packed) and fitted with paper labels bearing the product number, name and manufacturing order.
- The valves should be stored in boxes and protected against weather effects that may cause corrosion.
- Except for the replacement of the external gasket, any other repairs of the valve are prohibited. They must be carried out at the manufacturer's place only.
- Any possibility of using the valve outside the range of the specified parameters must be consulted with the manufacturer. The technical information regarding the product presented in this catalogue is for descriptive purposes only. It should not be construed in any case as a guaranteed representation of the product properties in the sense of the law.

ARGO-HYTOS s.r.o. CZ - 543 15 Vrchlaví
 Tel.: +420-499-403111, Fax: +420-499-403421
 E-mail: sales.cz@argo-hytos.com
 www.argo-hytos.com