

- Small dimensions
- Two models
- Poppet design
- Leak-free closure in one direction



VJO1-06/Sx-1

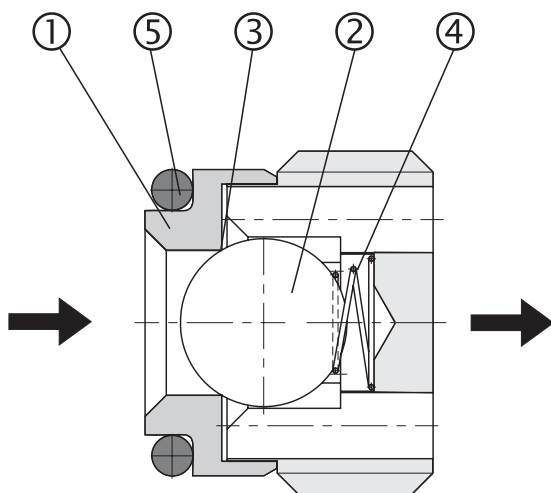


VJO1-06/Sx-2

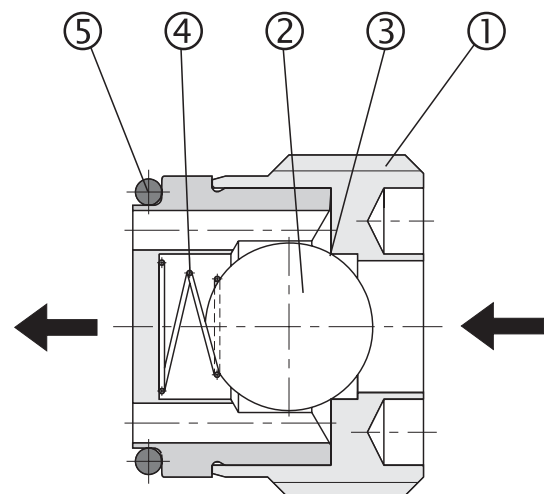
Functional Description

The check valves VJO1 are developed to be built directly into the lines of the hydraulic circuits. Their features designate them for all applications, where tight closure in one direction and small dimensions are required. The valve is provided with holes for a mounting mandrel. The shut-off edge (3) of the valve is engineered in the housing (1) and the shut-off function is

accomplished by the ball (2) which is pushed onto the seat by spring (4). Sealing of the valve body (1) in the mounting cavity is provided by the sealing ring (5). During the assembly, the valve has to be secured against loosening by means of a suitable glue or cement (Loctite, etc.).



Model 01



Model 02

Ordering Code

VJO1-06/S -

Seals

NBR

FPM (Viton)

no designation

V

Check Valve

Flow direction

model 01

model 02

1

2

Valve size

Model

pipe thread G1/4

thread SAE

Cartridge

S

G
S

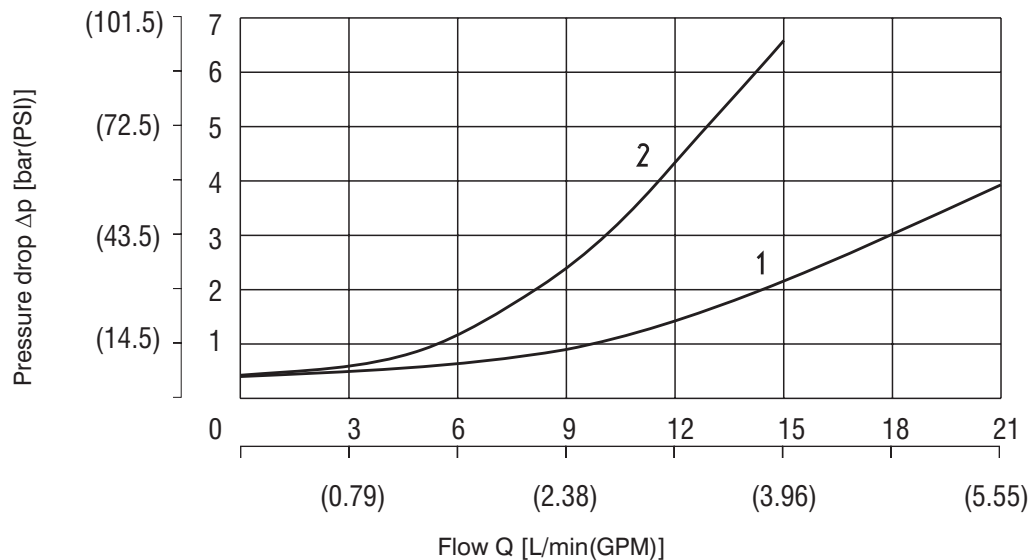
Technical Data

Valve size		06
Maximum flow rate	L/min (GPM)	20 (5.28)
Maximum operating pressure	bar (PSI)	320 (4600)
Cracking pressure	bar (PSI)	0,25 (3.62)
Hydraulic fluid		Petroleum oils (HM, HL, HLP)
Fluid temperature range for (NBR)	°C (°F)	-30 ... +100 (-22 ... +212)
Fluid temperature range for (Viton)	°C (°F)	-20 ... +120 (-4 ... +248)
Viscosity range	SUS (mm ² /s)	20 ... 400 (98 ... 1840)
Maximum degree of fluid contamination		Class 21/18/15 to ISO 4406
Weight	lbs (kg)	0.007 (0.015)
Mounting position		unrestricted

Δp-Q Characteristics

Measured at $\nu = 156$ SUS (32 mm²/s)

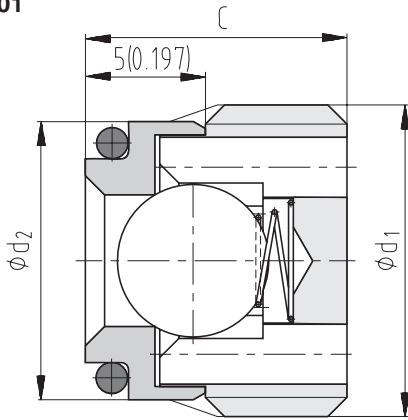
Pressure drop Δp related to flow rate.



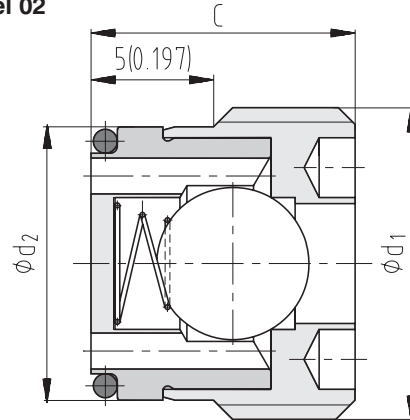
Valve Dimensions

Dimensions in millimeters (inches)

Model 01



Model 02



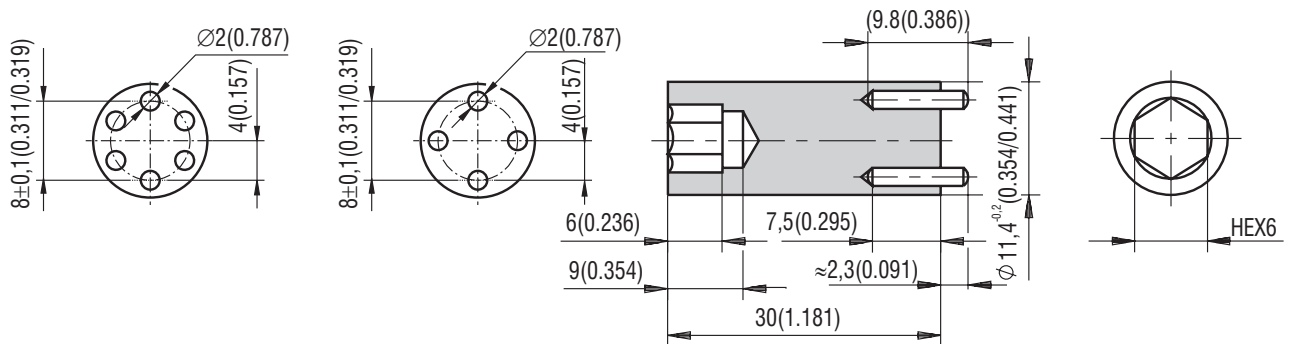
Type	ϕd_1	ϕd_2	C	O-Ring
VJO1-06/SG-1	G1/4	11.4 ^{+0.05} (0.449/0.451)	11 (0.433)	8 x 1.5
VJO1-06/SS-1	SAE 5 1/2-20			
VJO1-06/SG-2	G1/4	11.4 ^{+0.05} (0.449/0.451)	11 (0.433)	9 x 1
VJO1-06/SS-2	SAE 5 1/2-20			

Mounting Mandrel

Dimensions in millimeters (inches)

Model 01

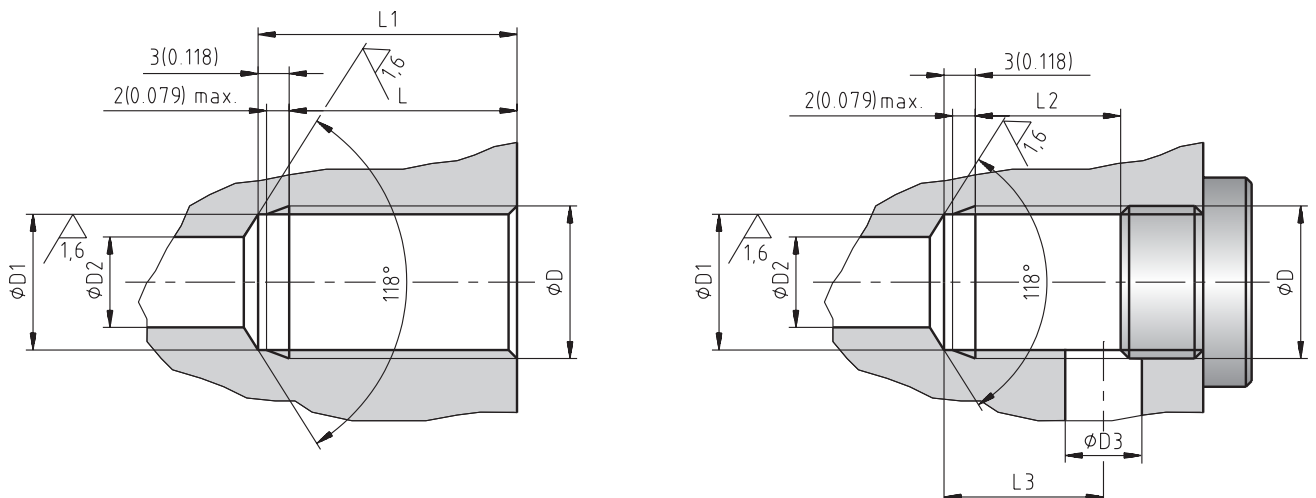
Model 02



Type	Tightening torque	Ordering number
VJO1-06/Sx-1	15 Nm (11.13 ft-lbs)	15949500
VJO1-06/Sx-2	15 Nm (11.13 ft-lbs)	28395600

Cavity

Dimensions in millimeters (inches)



Type	ϕD	ϕD_1	ϕD_2	ϕD_3	L	L1	L2	L3
VJO1-06	G1/4; SAE 5 1/2-20	11.5 ^{+0.1} (0.453/0.457)	7 (max. 0.276)	6 (0.236)	20 (0.787)	23 (0.906)	14 (0.551)	14 (0.551)

Spare Parts		Dimensions in millimeters	
Seal kit			
	Type	Dimension, quantity	Ordering number
Standard NBR90	VJO1-06/SG-1	O-Ring 8 x 1.5 (1 pc.)	16755400
	VJO1-06/SG-2	O-Ring 9 x 1 (1 pc.)	15949700
Viton	VJO1-06/SG-1	O-Ring 8 x 1.5 (1 pc.)	16969800
	VJO1-06/SG-2	O-Ring 9 x 1 (1 pc.)	15949800
Spare Parts kit			
	Type	Dimensions, quantity	Ordering number
Standard NBR	VJO1-06/SS-1	Seat (1 pc.) Bullet D 6.35 (1 pc.) Spring (1 pc.) O-Ring 8 x 1.5 (1 pc.) Body (1 pc.)	22688000
	VJO1-06/SS-2	Stay (1 pc.) Bullet D 6.35 (1 pc.) Spring (1 pc.) O-Ring 9 x 1 (1 pc.) Body (1 pc.)	22688100
Viton	VJO1-06/SS-1	Seat (1 pc.) Bullet D 6.35 (1 pc.) Spring (1 pc.) O-Ring 8 x 1.5 (1 pc.) Body (1 pc.)	22688200
	VJO1-06/SS-2	Stay (1 pc.) Bullet D 6.35 (1 pc.) Spring (1 pc.) O-Ring 9 x 1 (1 pc.) Body (1 pc.)	22688300
Caution!			
<ul style="list-style-type: none"> • The packing foil is recyclable. • The technical information regarding the product presented in this catalogue is for descriptive purposes only. It should not be construed in any case as a guaranteed representation of the product properties in the sense of the law. 			
ARGO-HYTOS s.r.o. CZ - 543 15 Vrchlabí Tel.: +420-499-403111, Fax: +420-499-403421 E-mail: sales.cz@argo-hytos.com www.argo-hytos.com			