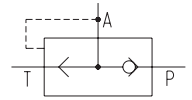


- Screw-in cartridge valve
- For leak-free applications
- Simple design
- High reliability



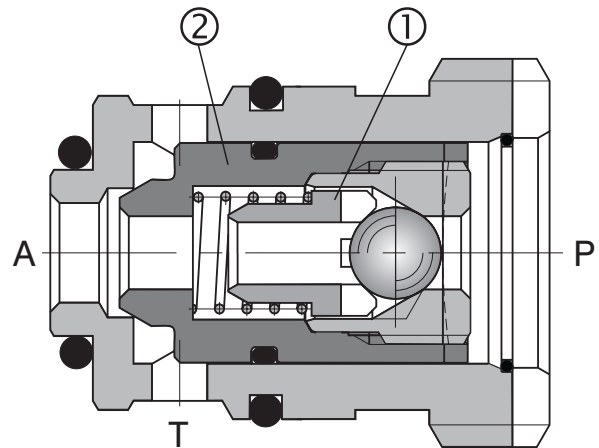
Functional Description

The fluid pressure in port P opens the ball check valve (1), thus allowing the fluid to pass to port A. Due to the area and pressure differential between ports P and A, the poppet (2) closes tightly the connection between ports A and T.

If there is no pressure in port P, then any pressure in port A causes the fluid to pass in the direction A → T. At the same time, the ball check valve provides a leak free closure between ports A and P.

The valve housing and the poppet are made of steel and hardened steel respectively.

The valve is delivered without any surface treatment.



Ordering Code

VJL2 - 304 -

Shuttle Valve

3 way design

Valve size

no designation
V

Seals
Standard (NBR)
Viton (FPM)

M
G

Type of the connecting thread
Metric thread (M22x1.5)
Pipe thread (G1/2)

Spare Parts

Dimensions in millimeters

Seal kit		Dimensions, quantity		Ordering number
Type				
Standard NBR	O-ring	14 x 1.78 (1 pc.)		22737500
		9 x 1.8 (1 pc.)		
		10 x 1 (1 pc.)		
Viton		14 x 1.78 (1 pc.)		22737600
		9.25 x 1.78 (1 pc.)		
		10 x 1 (1 pc.)		

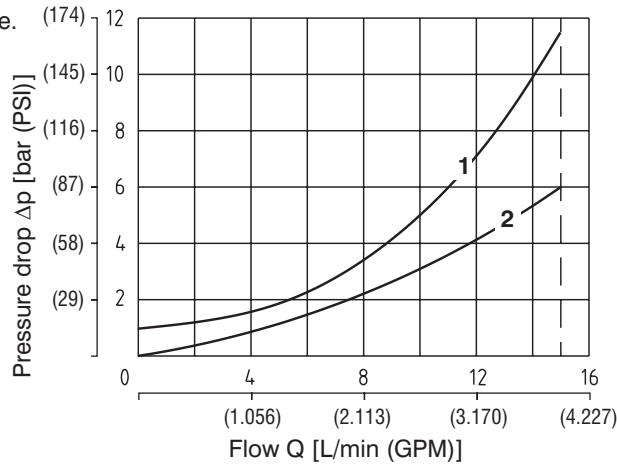
Technical Data

Valve size		04
Nominal flow rate P → A	L/min (GPM)	15 (4)
Nominal flow rate A → T	L/min (GPM)	15 (4)
Maximum working pressure	bar (PSI)	210 (3000)
Pressure drop	bar (PSI)	see the characteristic
Hydraulic fluid		Hydraulic oils of power classes (HL, HLP) to DIN 51524
Fluid temperature range (NBR)	°C (°F)	-30 ... +100 (-22 ... +212)
Fluid temperature range (Viton)	°C (°F)	-20 ... +120 (-4 ... +248)
Viscosity range	mm ² /s (SUS)	20 ... 400 (98 ... 1840)
Maximum degree of fluid contamination		Class 21/18/15 to ISO 4406
Weight	kg (lbs)	0.04 (0.088)
Mounting position		unrestricted

Δp-Q Characteristic

Measured at $v = 32 \text{ mm}^2/\text{s}$ (156 SUS)

Pressure drop Δp related to flow rate.

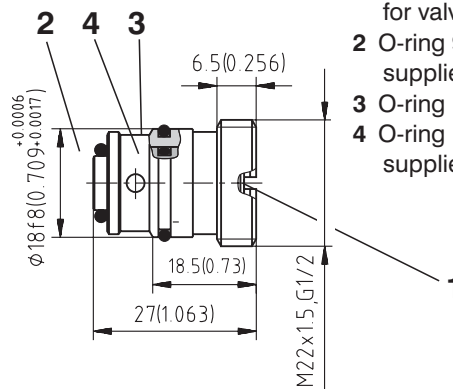
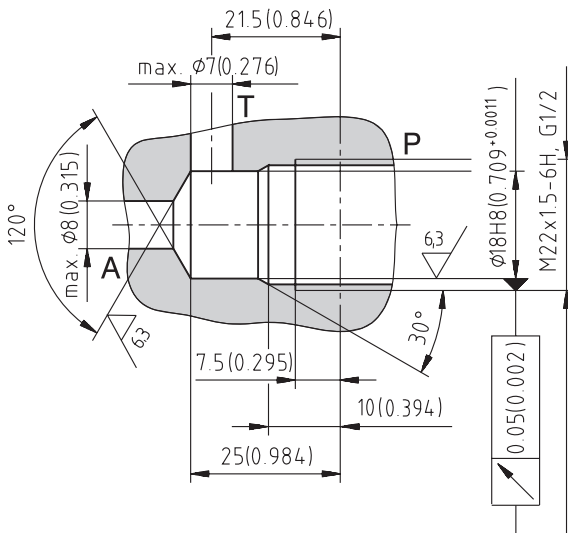


	Flow in direction
1	P → A
2	A → T

Valve Dimensions

Dimensions in millimeters (inches)

Valve Cavity



Dimensions in millimeters:

- 1 Screw driver slot for valve in cavity
- 2 O-ring 9 x 1.8 NBR70 (1 pc.), supplied with valve
- 3 O-ring 14 x 1.78
- 4 O-ring 10 x 1 (1 pc.), supplied with valve

Caution!

- The packing foil is recyclable.
- The technical information regarding the product presented in this catalogue is for descriptive purposes only. It should not be construed in any case as a guaranteed representation of the product properties in the sense of the law.

ARGO-HYTOS s.r.o. CZ - 543 15 Vrchlabí
 Tel.: +420-499-403111, Fax: +420-499-403421
 E-mail: sales.cz@argo-hytos.com
 www.argo-hytos.com