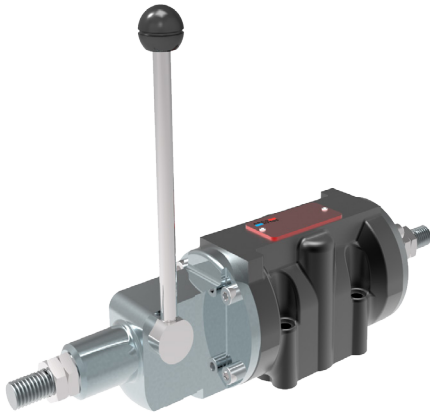


Directional Control Valve Manually Operated

RPR1-10

Size 10 (D 05) • Q_{max} 140 l/min (37 GPM) • p_{max} 350 bar (5100 PSI)

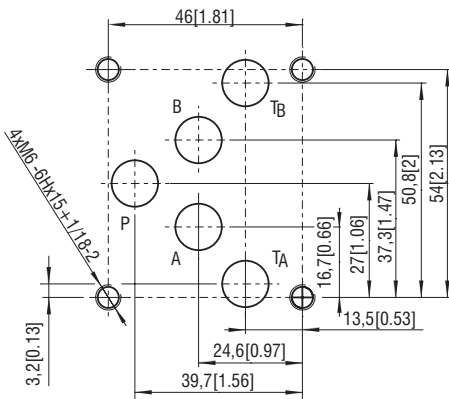


Technical Features

- › 4/3 and 4/2 directional spool valve
- › Robust reliable design
- › Wide range of spools
- › Detent version is available for every spool variant
- › Spool Stroke limitation option
- › Monitoring Spool position, contact free option
- › Five chambers housing design with reduced power dependence on fluid viscosity
- › Actuating section can be rotated in 4 positions 90° apart
- › Installation dimensions to ISO 4401/ DIN 24340 / CETOP RP121- H
- › Surface protection for high corrosive atmosphere option
- › In standard configuration is the valve housing phosphated and the steel parts are zinc coated

Model Code	Z11	Z11 with Sensors	R11	J15
Symbol example				

ISO 4401-05, CETOP 05



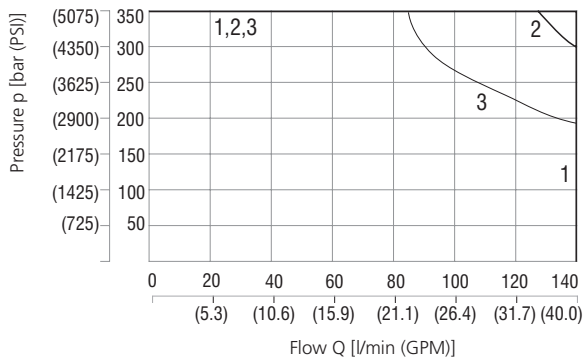
Technical Data

Valve size		10 (D05)
Max. flow	l/min (GPM)	140 (37)
Max. operating pressure	bar (PSI)	350 (5080)
Max. operating pressure at port T	bar (PSI)	100 (1450)
Fluid temperature range (NBR)	°C (°F)	-30 ... +100 (-22 ... +212)
Fluid temperature range (FPM)	°C (°F)	-20 ... +120 (-4 ... +248)
Operating force on lever	N (lbf)	< 40 (9)
Service life	cycles	106
Weight	kg (lbs)	3,4 (7.5)

Accessories	Data Sheet	Type
Connection Pattern	SMT_0019	Size 10 / CETOP 05
Spare Parts	SP_8010	

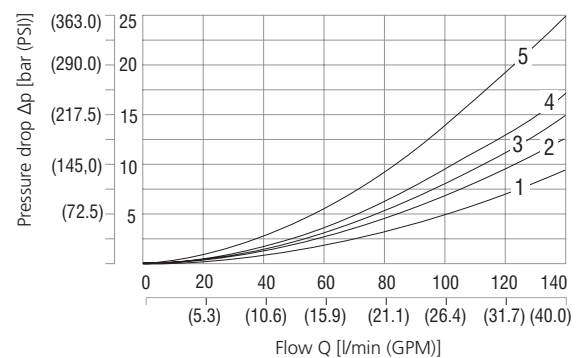
Characteristics measured at $v = 32 \text{ mm}^2/\text{s}$ (156 SUS)

Operating limits



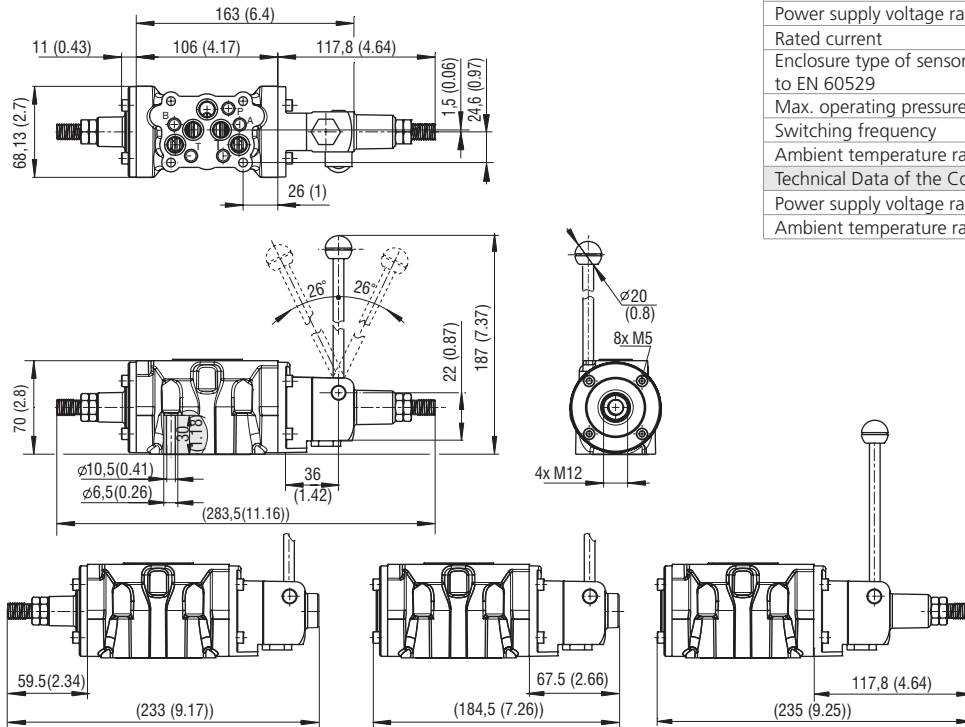
Z11	1
Y11	1
P11	1
H11	1
C11	3
R11	2

Pressure drop Δp related to flow rate.



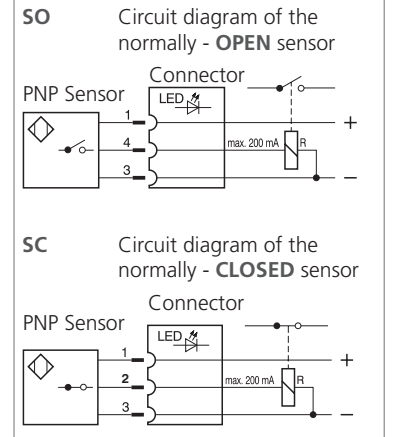
	P-A	P-B	A-T	B-T	P-T
Z11	1	1	3	3	
Y11	1	1	2	2	
P11	1	1	3	3	
H11	1	1	1	1	3
C11	1	1	3	3	5
R11	1	1	4	4	

Dimensions in millimeters (inches)



Spool Monitored position

Technical Data of the Sensor		SO, SC
Rated power supply voltage	V	24 DC
Power supply voltage range	V	10 ... 30 DC
Rated current	mA	200
Enclosure type of sensor to EN 60529		IP 67
Max. operating pressure	bar (PSI)	50 (725)
Switching frequency	Hz	1000
Ambient temperature range	°C (°F)	-25 ... +80 (-13 ... +176)
Technical Data of the Connector		
Power supply voltage range	V	10 ... 30 DC
Ambient temperature range	°C (°F)	-25 ... +80 (-13 ... +176)



Spool Symbols

Type	Symbol	Interposition	Type	Symbol	Interposition	Type	Symbol	Interposition
Z11			R11			P15		
C11			R21			Y15		
H11			Z15			J15		
P11			C15			R25		
Y11			H15					

Ordering Code

RPR1-10 [] [] / [] - [] [] - [] [] - [] []

Directional Control Valve Manually Operated

Valve size

Number of valve positions
two positions 2
three positions 3

Spool symbols
see the table spool symbols

Stroke limit option
without stroke limit 0
with stroke limit 1

Number of Spool Sensors
without 0
one spool position sensor 1
two spool position sensor 2

Surface treatment
No designation standard
A 240 h salt spray (ISO 9227)
B 900 h salt spray (ISO 9227)

Seals
No designation NBR
V FPM (Viton)

Side position of lever mounting
A side A
B side B

Spool end position sensing
SO normally-open sensor (Monitored switched position)
SC normally-closed sensor (Monitored switched position)