

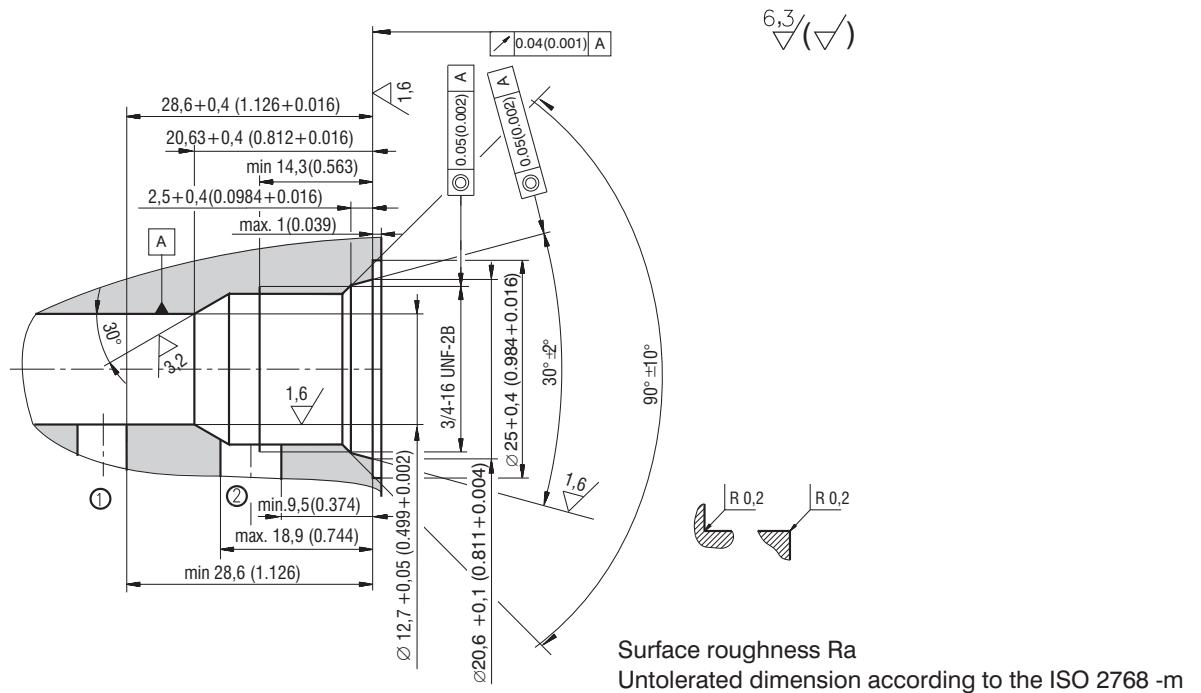
- Tools for cavity
- Tool material HSS-E
- Clamping: cylindrical shaft with Weldon-clamping flat



Ordering code

S	MT						
Cartridge Valves							
Form tooling							
Cavity: 3/4-16 UNF-2B 7/8-14 UNF-2B	A B	2 3 4	B D R T				
						Kind of tool Drill Forming drill Forming reamer Screw tap	Number of ways 2-Way 3-Way 4-Way

2 Way Cavity 3/4-16 UNF- 2B

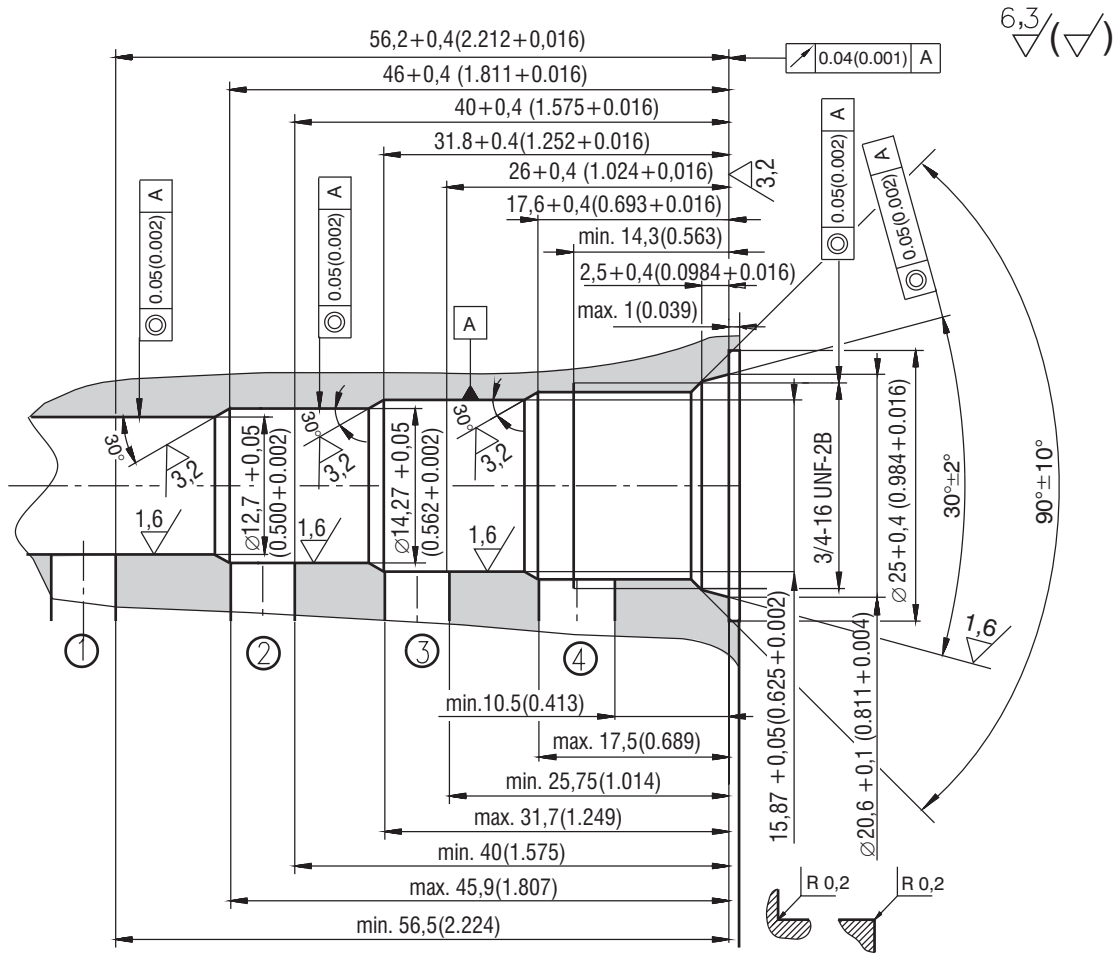


Cutting Conditions for HSSE Tools

Cavity tools: 3/4-16 UNF-2B with 2 ways		Drill	Forming drill	Forming reamer	Screw tap
Revolutions In 1/min	Aluminium	1660	500	300	150
	Steel	700	200	150	80
Feeding In mm (inch)	Aluminium	250 (9.842)	120 (4.724)	100 (3.937)	-
	Steel	100 (3.937)	50 (1.968)	50 (1.968)	-
Type code		SMT-A2-B	SMT-A2-D	SMT-A2-R	SMT-A2,A3,A4-T
Ordering number		25974500	15604400	15604500	15605000

4 Way Cavity 3/4-16 UNF-2B

Dimensions in millimeters (inches)



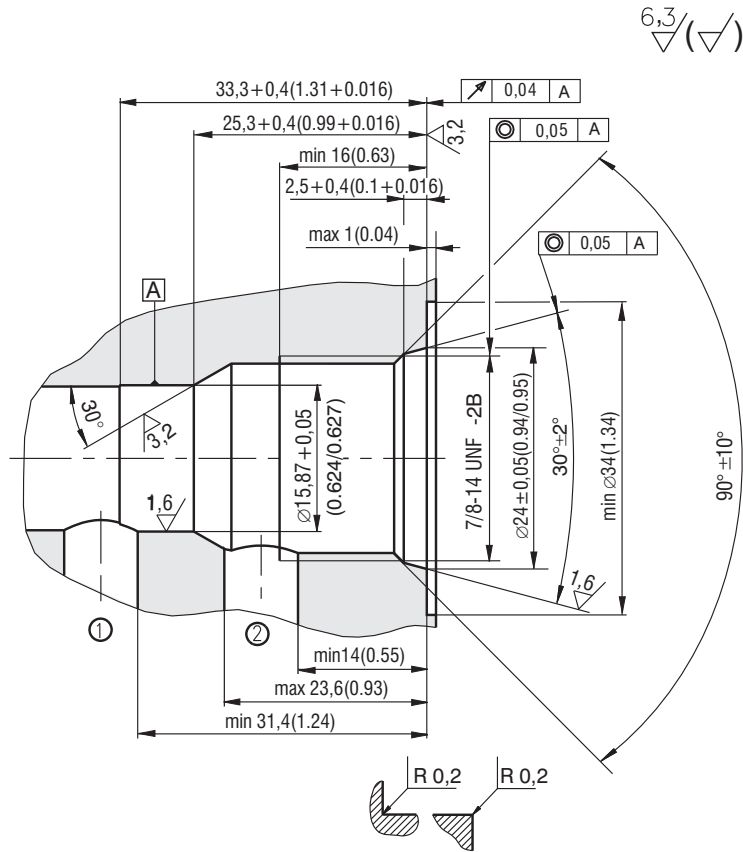
Surface roughness Ra
 Untolerated dimension according to the ISO 2768 -m

Cutting Conditions for HSSE Tools

Cavity tools: 3/4-16 UNF-2B with 4 ways		Drill	Forming drill	Forming reamer	Screw tap
Revolutions in 1/min	Aluminium	1660	480	300	150
	Steel	700	200	170	80
Feeding In mm (inch)	Aluminium	250 (9.842)	110 (4.331)	100 (3.937)	-
	Steel	100 (3.937)	50 (1.968)	50 (1.968)	-
Type code		SMT-A4-B	SMT-A4-D	SMT-A4-R	SMT-A2,A3,A4-T
Ordering number		25974700	15604800	1564900	15605000

2 Way Cavity 7/8-14 UNF-2B

Dimensions in millimeters (inches)



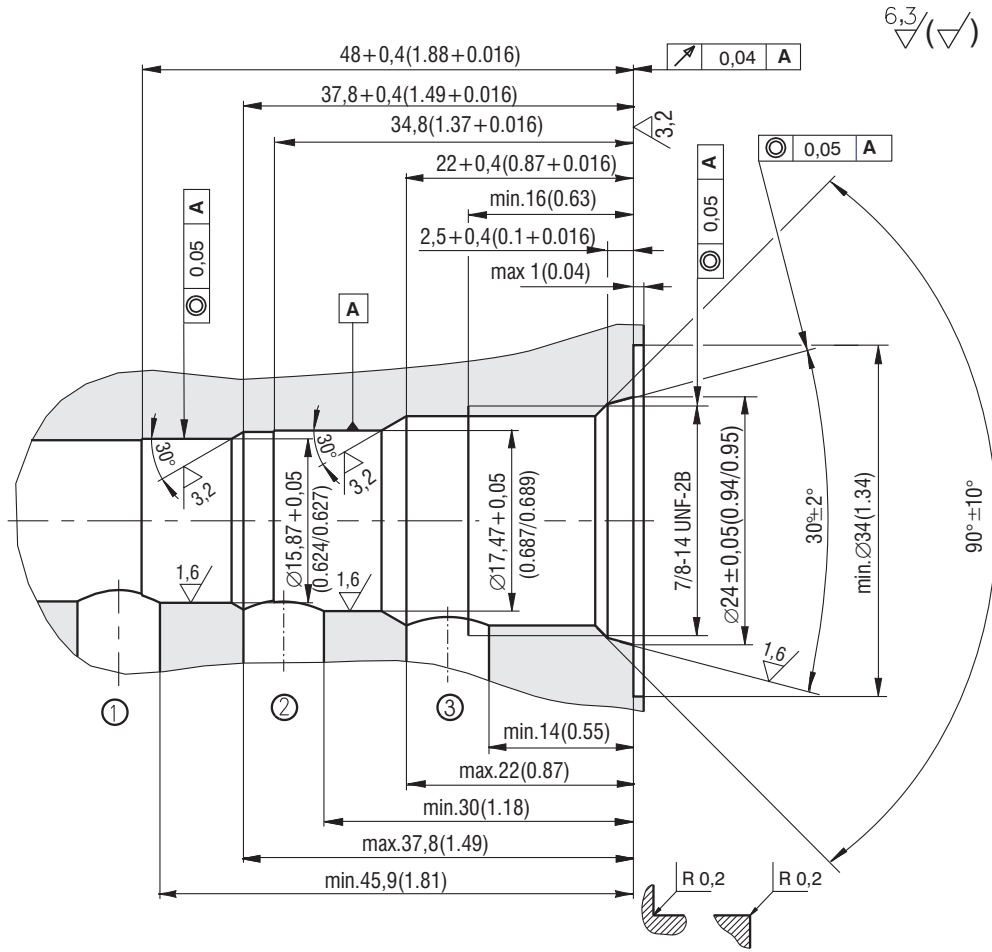
Surface roughness Ra
 Untolerated dimension according to the ISO 2768 -m

Cutting Conditions for HSSE Tools

Cavity tools: 7/8-14 UNF-2B with 2 ways		Drill	Forming drill	Forming reamer	Screw tap
Revolutions in 1/min	Aluminium	1300	430	200	150
	Steel	550	170	100	80
Feeding In mm (inch)	Aluminium	200 (7.874)	110 (4.331)	80 (3.150)	-
	Steel	50 (1.968)	40 (1.575)	40 (1.575)	-
Type code		SMT-B2-B	SMT-B2-D	SMT-B2-R	SMT-B2,B3,B4-T
Ordering number		27787000	27787100	27787400	27788100

3 Way Cavity 7/8-14 UNF-2B

Dimensions in millimeters (inches)



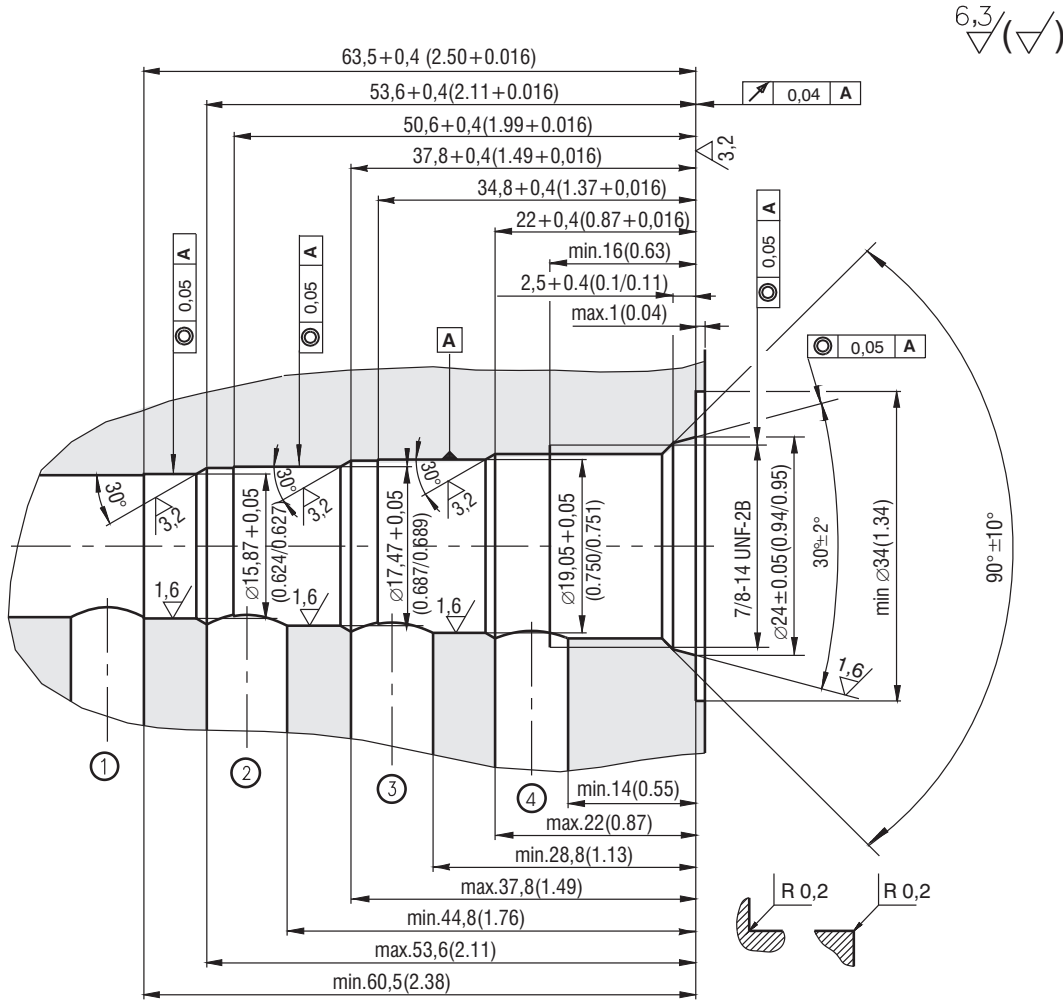
Surface roughness Ra
 Untolerated dimension according to the ISO 2768 -m

Cutting Conditions for HSSE Tools

Cavity tools: 7/8-14 UNF-2B with 3 ways		Drill	Forming drill	Forming reamer	Screw tap
Revolutions in 1/min	Aluminium	1300	410	200	150
	Steel	550	170	100	80
Feeding in mm (inch)	Aluminium	200 (7.874)	100 (3.937)	80 (3.150)	-
	Steel	50 (1.968)	40 (1.575)	40 (1.575)	-
Type code		SMT-B3-B	SMT-B3-D	SMT-B3-R	SMT-B2,B3,B4-T
Ordering number		27787000	27787200	27787600	27788100

4 Way Cavity 7/8-14 UNF-2B

Dimensions in millimeters (inches)



Surface roughness Ra
 Untolerated dimension according to the ISO 2768 - m

Cutting Conditions for HSSE Tools

Cavity tools: 7/8-14 UNF-2B with 4 ways		Drill	Forming drill	Forming reamer	Screw tap
Revolutions in 1/min	Aluminium	1300	410	200	150
	Steel	550	170	100	80
Feeding in mm (inch)	Aluminium	200 (7.874)	100 (3.937)	80 (3.150)	-
	Steel	50 (1.968)	40 (1.575)	40 (1.575)	-
Type code		SMT-B4-B	SMT-B4-D	SMT-B4-R	SMT-B2,B3,B4-T
Ordering number		27787000	27787300	27787900	27788100

Caution!

- The packing foil is recyclable.
- The technical information regarding the product presented in this catalogue is for descriptive purposes only. It should not be construed in any case as a guaranteed representation of the product properties in the sense of the law.

ARGO-HYTOS s.r.o. CZ - 543 15 Vrchlabí
 Tel.: +420-499-403111, Fax: +420-499-403421
 E-mail: sales.cz@argo-hytos.com
 www.argo-hytos.com