

3/4-16UNF; 7/8-14UNF; M20x1,5; M22x1,5; M27x2; G1/8

- Standard Cavity Plugs are used as replacements for valves with cavity sizes 3/4-16UNF; 7/8-14UNF; M20x1,5; M22x1,5; M27x2 and G1/8
- Standard Cavity Plugs seal all access to the cavities. Special Cavity Plugs can be made since the Cavity Plugs have a hole drilled in axial direction. In drilling additional radial holes several functions can be created. Size and location of these holes must be according to the standard cavities.
- Sealing of the Cavity Plugs is identical to the seals of the same valve type
- The Cavity Plugs are zinc coated



Technical Data

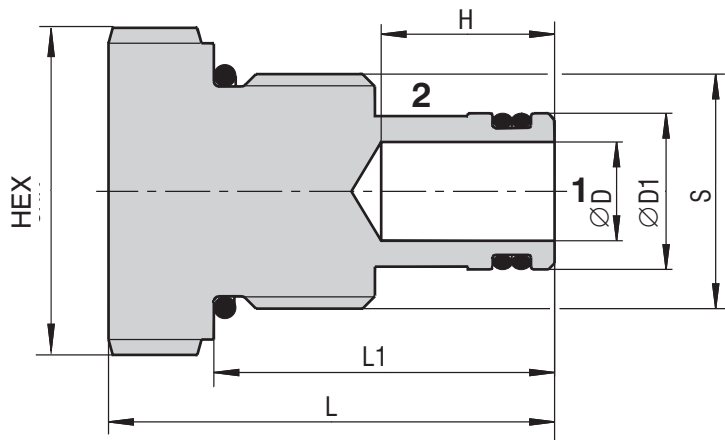
Hydraulic fluid	Hydraulic oils of power classes (HL, HLP) to DIN 51524
Fluid temperature range (NBR) °C (°F)	-30 ... +100 (-22 ... +212)
Maximum degree of fluid contamination	Class 21/18/15 according to ISO 4406
Mounting position	unrestricted

Types, Selection and Application

Thread Size of Cavity	The number of Valve cavities of the Specific Component	Code of the Valve, witch is replaced by the Cavity Plugs	Ordering Code	Weight (kg/lb)	Torgue (Nm/lbfft)	Operating Pressure (bar/~PSI)
3/4-16UNF	2	SD2E-A2	15960800	0.07 / 0.154	120 / 88.51	420 / 6090
		SD3E-A2				
		SD1E-A2				
		SD1M-A2				
		SC1F-A2				
		SR1A-A2				
	SF22A-A2					
	3	SD2E-A3	22751900	0.08 / 0.176	120 / 88.51	420 / 6090
		SP2A-A3				
SC1F-A3						
4	SD2E-A4	22752000	0.09 / 0.198	120 / 88.51	420 / 6090	
7/8-14UNF	2	SD3E-B2	19356300	0.10 / 0.220	150 / 110.63	420 / 6090
		SC1F-B2				
		SR1A-B2				
		SR4A-B2				
		SR4P-B2				
	3	SD2E-B3	19356900	0.12 / 0.265	150 / 110.63	420 / 6090
		SP4A-B3				
		SP4P-B3				
	4	SFD2F-B3	19357300	0.14 / 0.309	150 / 110.63	420 / 6090
M20x1,5	3	PVRM1-063	19434000	0.10 / 0.220	60 / 44.26	50 / 725
M22x1,5	2	ROE3	19433200	0.09 / 0.198	80 / 59.00	350 / 5075
		VPN1-06				
		VPP2-04				
3	VRN2-06	19433400	0.11 / 0.243	80 / 59.00	320 / 4640	
M27x2	2	VPN2-10	19433600	0.18 / 0.397	120 / 88.51	350 / 5075
	3	VRN2-10	24493100	0.20 / 0.441	120 / 88.51	320 / 4640
G1/8	3	LV1-043	19433800	0.01 / 0.022	12 / 8.85	500 / 7250

The Cavity Plugs for 2 Way Valves

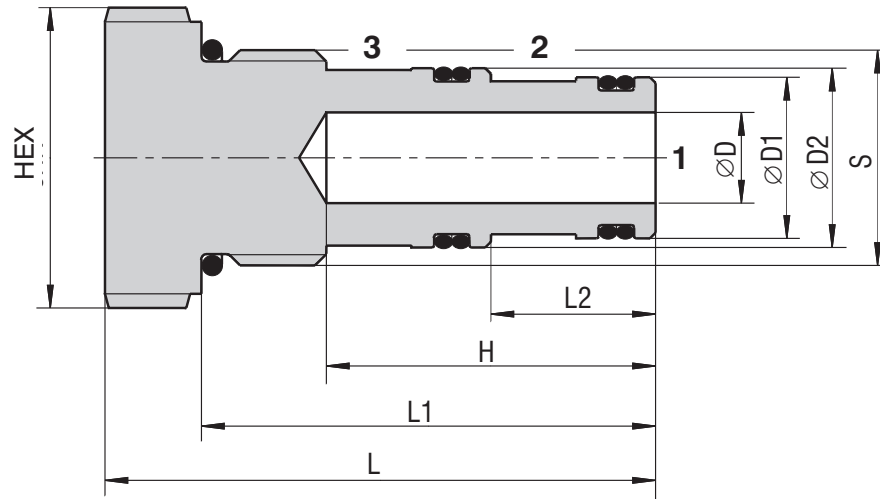
Dimensions in millimeters (inches)



S	HEX	L	L1	Ø D	H	Ø D1
3/4-16UNF	24 (0.945)	36 (1.417)	27,5 (1.083)	8 (0.135)	14 (0.551)	12,65 (0.498)
7/8-14UNF	27 (1.063)	43 (1.693)	33 (1.299)	10 (0.394)	19 (0.748)	15,82 (0.623)
M22x1,5	27 (1.063)	38 (1.496)	28 (1.102)	12 (0.472)	18 (0.709)	18 (0.709)
M27x2	32 (1.260)	58 (2.283)	46 (1.811)	13,5 (0.532)	32 (1.260)	23 (0.906)

The Cavity Plugs for 3 Way Valves

Dimensions in millimeters (inches)

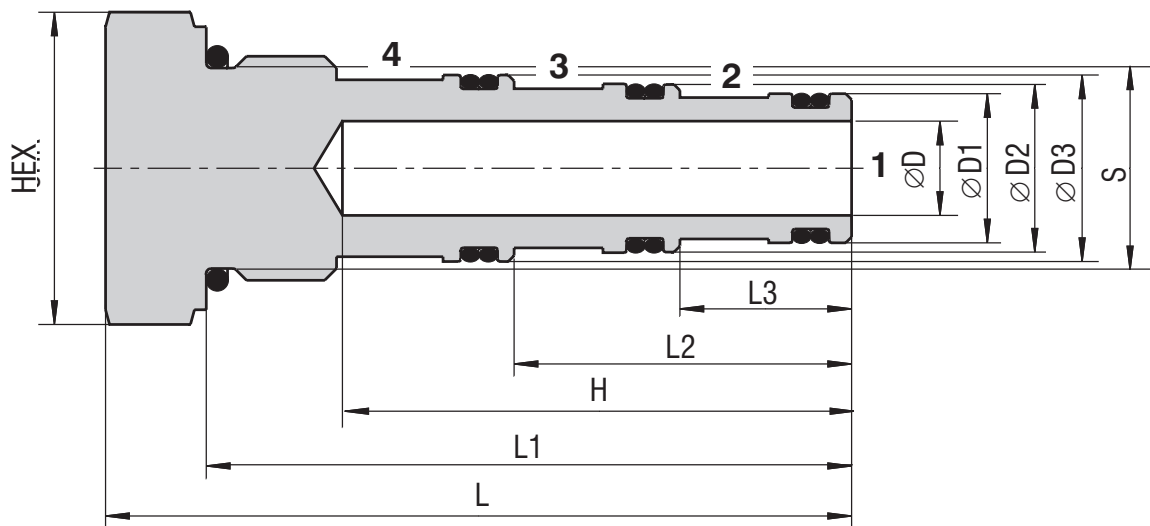


S	HEX	L	L1	L2	Ø D	H
3/4-16UNF	24 (0.945)	48.5 (1.909)	40 (1.575)	14.5 (0.571)	8 (0.135)	29 (1.142)
7/8-14UNF	27 (1.063)	57 (2.244)	47 (1.850)	16.5 (0.650)	10 (0.394)	33 (1.299)
M20x1,5	24 (0.945)	55 (2.165)	45 (1.772)	16 (0.630)	10 (0.394)	32 (1.260)
M22x1,5	27 (1.063)	51 (2.008)	41 (1.615)	14.5 (0.571)	10 (0.394)	31 (1.220)
M27x2	32 (1.260)	63 (2.480)	51 (2.008)	21 (0.827)	12 (0.472)	36 (1.417)

S	Ø D1	Ø D2
3/4-16UNF	14.22 (0.560)	15.82 (0.623)
7/8-14UNF	15.82 (0.623)	17.42 (0.686)
M20x1,5	15.40 (0.606)	16.90 (0.665)
M22x1,5	17.50 (0.689)	18.00 (0.709)
M27x2	21.00 (0.827)	23.00 (0.906)

The Cavity Plugs for 4 Way Valves

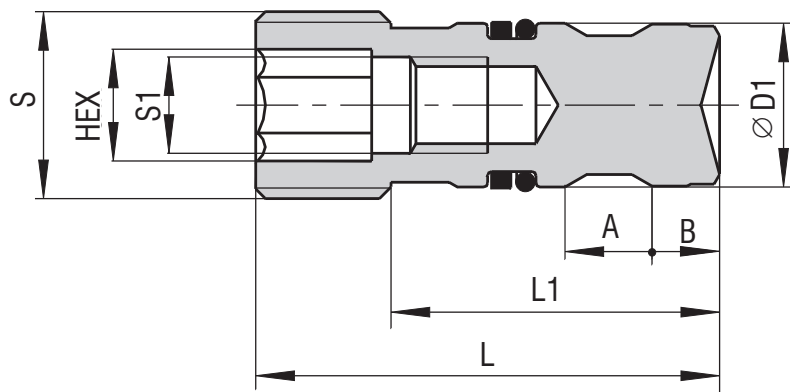
Dimensions in millimeters (inches)



S	HEX	L	L1	L2	L3	Ø D	H
3/4-16UNF	24 (0.945)	63 (2.480)	54.5 (2.146)	28.5 (1.122)	14.5 (0.571)	8 (0.135)	43 (1.693)
7/8-14UNF	27 (1.063)	70.5 (2.776)	60.5 (2.382)	31 (1.220)	15 (0.591)	10 (0.394)	46 (1.811)

S	Ø D1	Ø D2	Ø D3
3/4-16UNF	12.65 (0.498)	14.22 (0.560)	15.82 (0.623)
7/8-14UNF	15.82 (0.623)	17.42 (0.686)	19.00 (0.748)

The Cavity Plugs with Hexagon Socket (for LV1-043) Dimensions in millimeters (inches)



S	HEX	L	L1	S1	Ø D1	A	B
G 1/8	5 (0.197)	24 (0.945)	17 (0.669)	5 (0.197)	8.5 (0.335)	4.5 (0.177)	3.5 (0.138)

Caution!

- The plastic packaging is recyclable.
- Certified documentation is available per request.

ARGO-HYTOS s.r.o. CZ - 543 15 Vrchlabí
 tel.: +420-499-403111, fax: +420-499-403421
 e-mail: sales.cz@argo-hytos.com
 www.argo-hytos.com