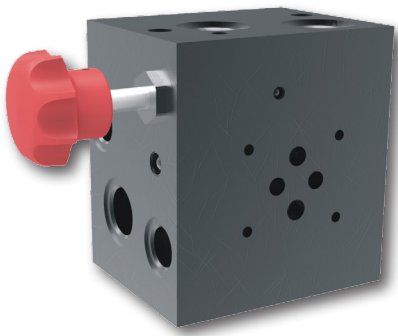


ZB06

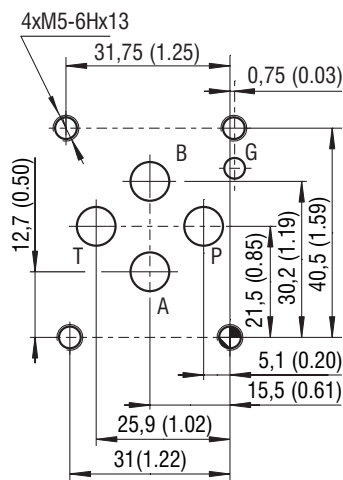
Size 06 (D03) • p_{max} 320 bar (4600 PSI)



Technical Features

- › Tank cover mounted base manifold for hydraulic power packs which require one directional valve, optionally stackable with PD06-Z6 (Cat. 0006) serial plates
- › Designed for flange mounted valves with pattern acc. to ISO 4401-03 (CETOP 03)
- › Simplified models ZB06L* for cost effective circuit design and assembly with stackable serial PD06-Z6 plates
- › Integrated functions for circuit unloading drain, main circuit check and pressure relief valves
- › Suitable for mounting the pump drive unit horizontally on the tank cover, or for vertical arrangement with the pump situated in the tank under the oil level
- › Variety of models support the build-up of systems with constant or regulated pumps
- › In the standard version, the ZB06A(B) manifold housing is zinc-coated for 520 h and the steel parts are uninc-coated for 240 h protection acc. to ISO 9227. Aluminium ZB06L manifold housing is without any surface protection

ISO 4401-03-02-0-05 (CETOP 03)



Ports P, A, B, T max \varnothing 7.5 mm (0.29 in)

Technical Data

Modular valves mounting surface		06 (D03)	
Cartridge cavity		M28x1.5 / QP2	
Max. operating pressure	bar (PSI)	aluminium 250 (3626)	
	bar (PSI)	steel 320 (4640)	
Max. flow		50 (13.2)	
Port dimensions		ZB06A(B)	ZB06L
		P, P1, T, T1, T2 ... G1/2	P, T, T1 ... G1/2
		A, B, PP2, D2 ... G3/8	D2, T2 ... G3/8
		L2 ... G1/8	-
Weight	ZB06A(B)	kg (lbs)	steel 4.7 (10.4)
	ZB06L		aluminium 1.7 (3.75)
		aluminium 1.5 (3.31)	

	Data sheet	Type
General information	GI_0060	Products and operating conditions
Cavity details / Mounting interface	SMT_0019	SMT-QP2*
		Size 06 / CETOP 03
Studs and nuts for vertical stacking assemblies - Dn04,06,10_0020		

Ordering Code

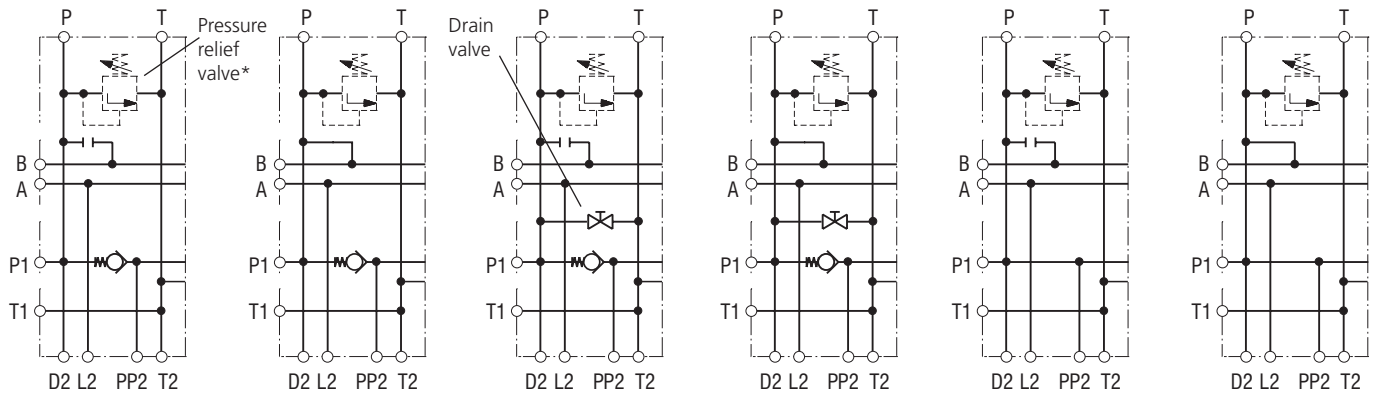
<p>Base manifold with pressure relief valve for PD serial plates assembly</p> <p>Size, mounting interface of serial plates base plate for PD06-Z6 serial plates</p> <p>Models with one mounting interface acc. to ISO 4401, DIN 24340 (CETOP 03) with check valve without check valve</p> <p>Models without mounting interface acc. to ISO 4401, DIN 24340 (CETOP 03) without check valve</p> <p>Pressure relief valve cavity M28x1.5 / QP2 (VPP1-06 / VPP2-06)*</p> <p>*Pressure relief valve is not supplied with the ZB block see catalogue HA_5061 (VPP1-06), HA_5062(VPP2-06)</p>	<p>ZB06 - QP2 - - K - </p>	<p>Surface treatment</p> <p>No designation aluminium manifold without treatment</p> <p>B zinc-coated (ZnNi), ISO 9227 (520 h)</p> <p>Seals</p> <p>K seal plate for oil tank cover assembly</p> <p>Material of base manifold</p> <p>AL aluminium, EN AW-7075 T6</p> <p>ST steel*</p> <p>*only for „ZB06A(B)“ models</p> <p>Design models for ZB06L types</p> <p>1 T return line from plate side</p> <p>2 T return line from bottom side</p> <p>3 two T return lines from plate and bottom side</p> <p>Design models for ZB06A(B)</p> <p>+ Connection P-B</p> <p>11 without drain valve without P-B ports connection</p> <p>12 without drain valve with P-B ports connection</p> <p>21 with drain valve without P-B ports connection</p> <p>22 with drain valve with P-B ports connection</p>
---	--	---

Functional Symbols

Models for flange mounted valves with pattern acc. to ISO 4401-03 (CETOP 03)

with check valve				without check valve	
ZB06A*-11	ZB06A*-12	ZB06A*-21	ZB06A*-22	ZB06B*-11	ZB06B*-12

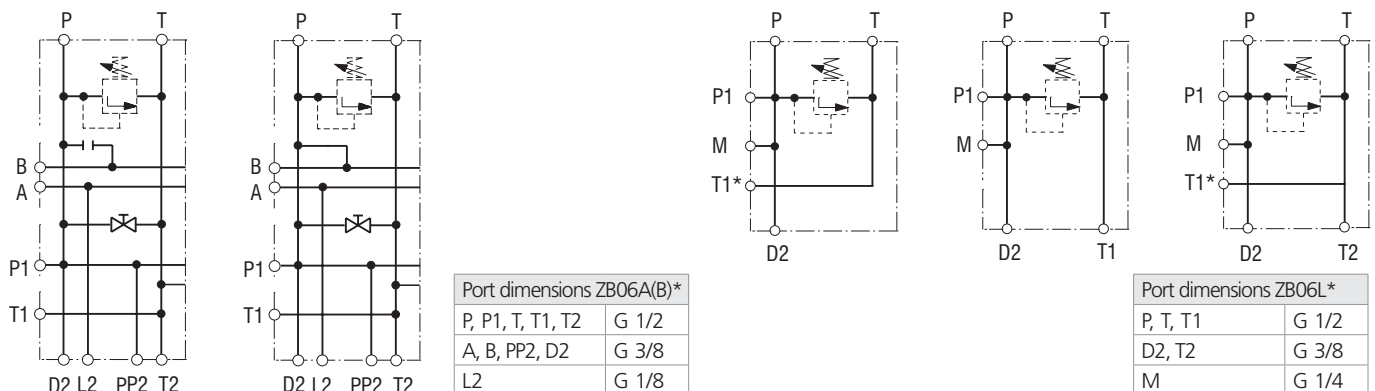
mounting interface of PD06-Z6 (Cat. 0006) serial plates



Models for flange mounted valves with pattern acc. to ISO 4401-03 (CETOP 03)

without check valve			Simplified models ZB06L* without mounting pattern for modular valve		
ZB06B*-21	ZB06B*-22		ZB06L*-1	ZB06L*-2	ZB06L*-3

mounting interface of PD06-Z6 (cat. 0006) serial plates



P, P1, T, T1, T2	G 1/2
A, B, PP2, D2	G 3/8
L2	G 1/8

P, T, T1	G 1/2
D2, T2	G 3/8
M	G 1/4

Pressure relief valve is not supplied with the ZB block

Available types

Ordering number	Type	Pressure [bar (PSI)]	Weight [kg (lbs)]
23686401	ZB06A-QP2-11-STK-B	320 (4640)	cca 4.7 (10.4)
23686501	ZB06A-QP2-21-STK-B	320 (4640)	
23686601	ZB06A-QP2-12-STK-B	320 (4640)	
23686701	ZB06A-QP2-22-STK-B	320 (4640)	
23687001	ZB06B-QP2-11-STK-B	320 (4640)	
23687201	ZB06B-QP2-21-STK-B	320 (4640)	
23687401	ZB06B-QP2-12-STK-B	320 (4640)	
23687501	ZB06B-QP2-22-STK-B	320 (4640)	

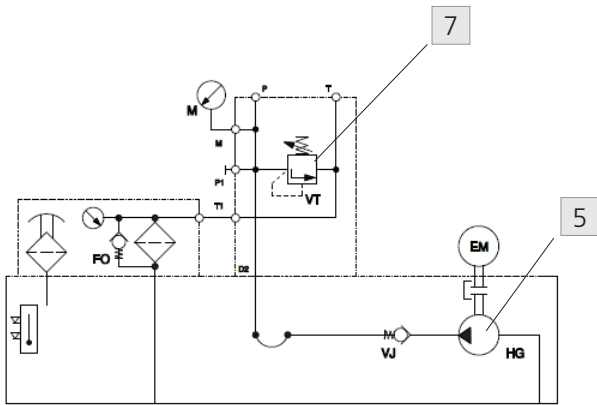
Ordering number	Type	Pressure [bar (PSI)]	Weight [kg (lbs)]
30849400	ZB06A-QP2-11-ALK	250 (3626)	cca 1.7 (3.75)
30849500	ZB06A-QP2-12-ALK	250 (3626)	
30849600	ZB06A-QP2-21-ALK	250 (3626)	
30849700	ZB06A-QP2-22-ALK	250 (3626)	
30849800	ZB06B-QP2-11-ALK	250 (3626)	
30849900	ZB06B-QP2-12-ALK	250 (3626)	
30850100	ZB06B-QP2-21-ALK	250 (3626)	
30850200	ZB06B-QP2-22-ALK	250 (3626)	

Ordering number	Type	Pressure [bar (PSI)]	Weight [kg (lbs)]
23439800	ZB06L-QP2-1-ALK	250 (3626)	cca 1.6 (3.5)
23439900	ZB06L-QP2-2-ALK	250 (3626)	
31785200	ZB06L-QP2-3-ALK	250 (3626)	

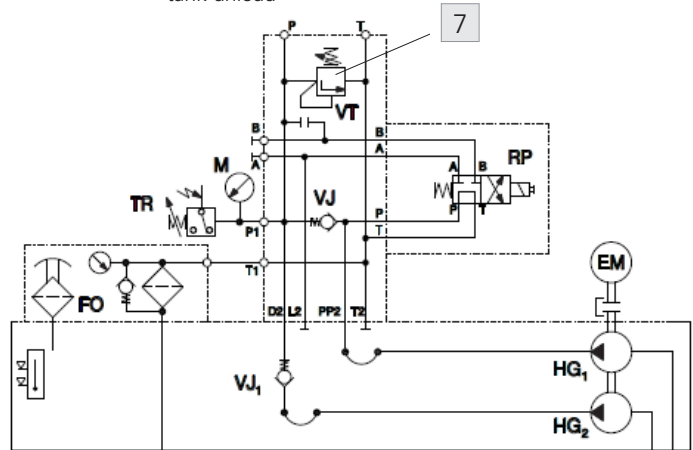
Application

Typical circuit This block enables a great number of circuit arrangements. The shown example represents only one of many possible variants.

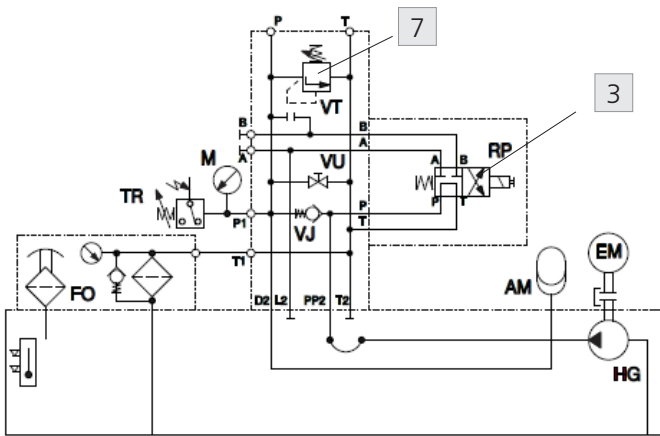
ZB06L*-1 Basic pressure circuit protection and connection with gear pump and return filter



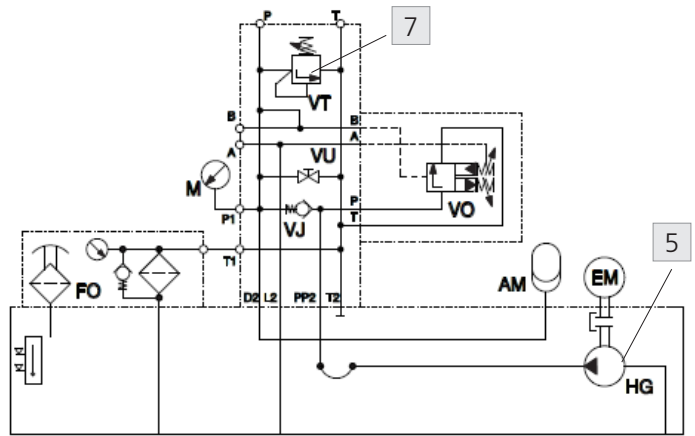
ZB06A*-11 Basic pressure circuit protection and connection with tandem gear pump and return filter with one pump tank unload



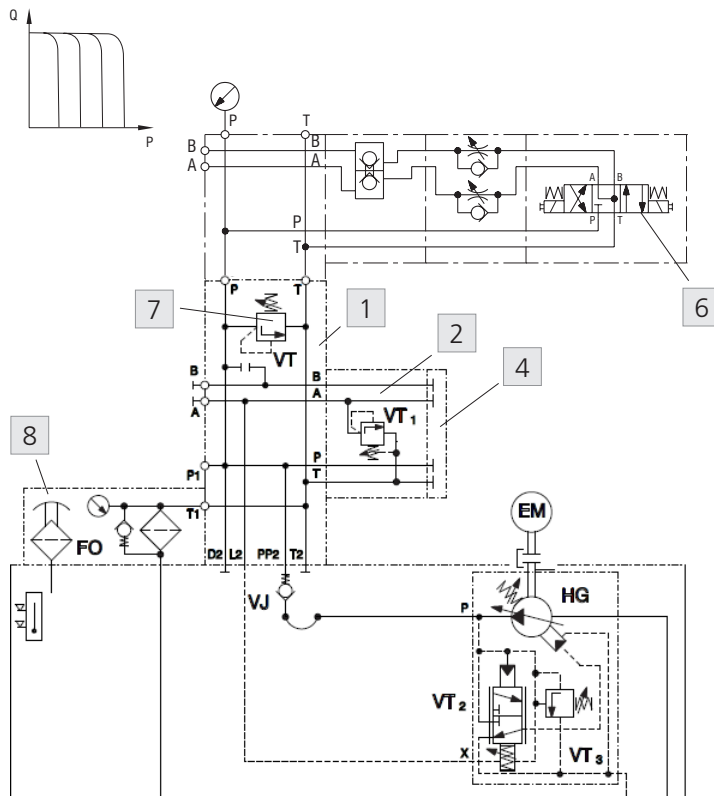
ZB06A*-21 System with accumulator



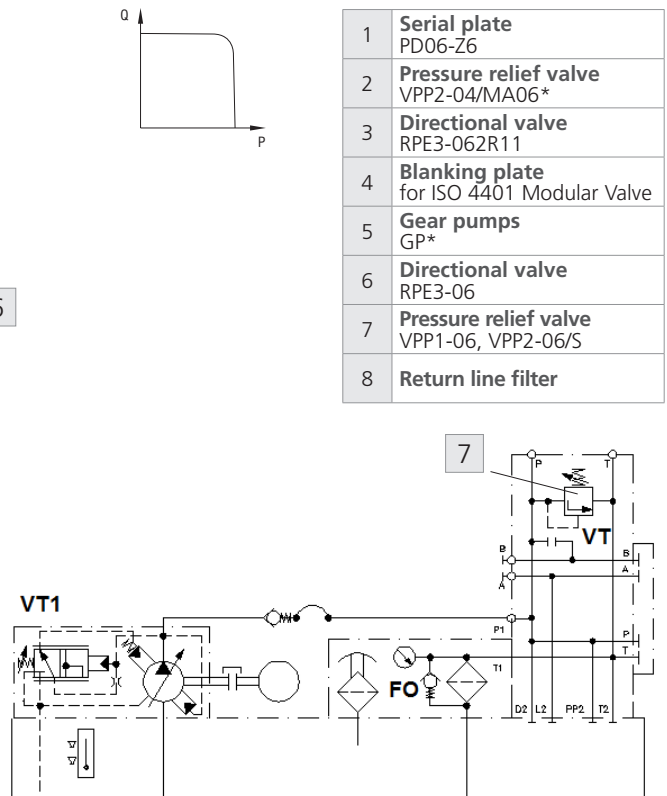
ZB06A*-22 System with accumulator and accumulator charging valve



ZB06B* Constant pressure regulation with relief valve (remote control)



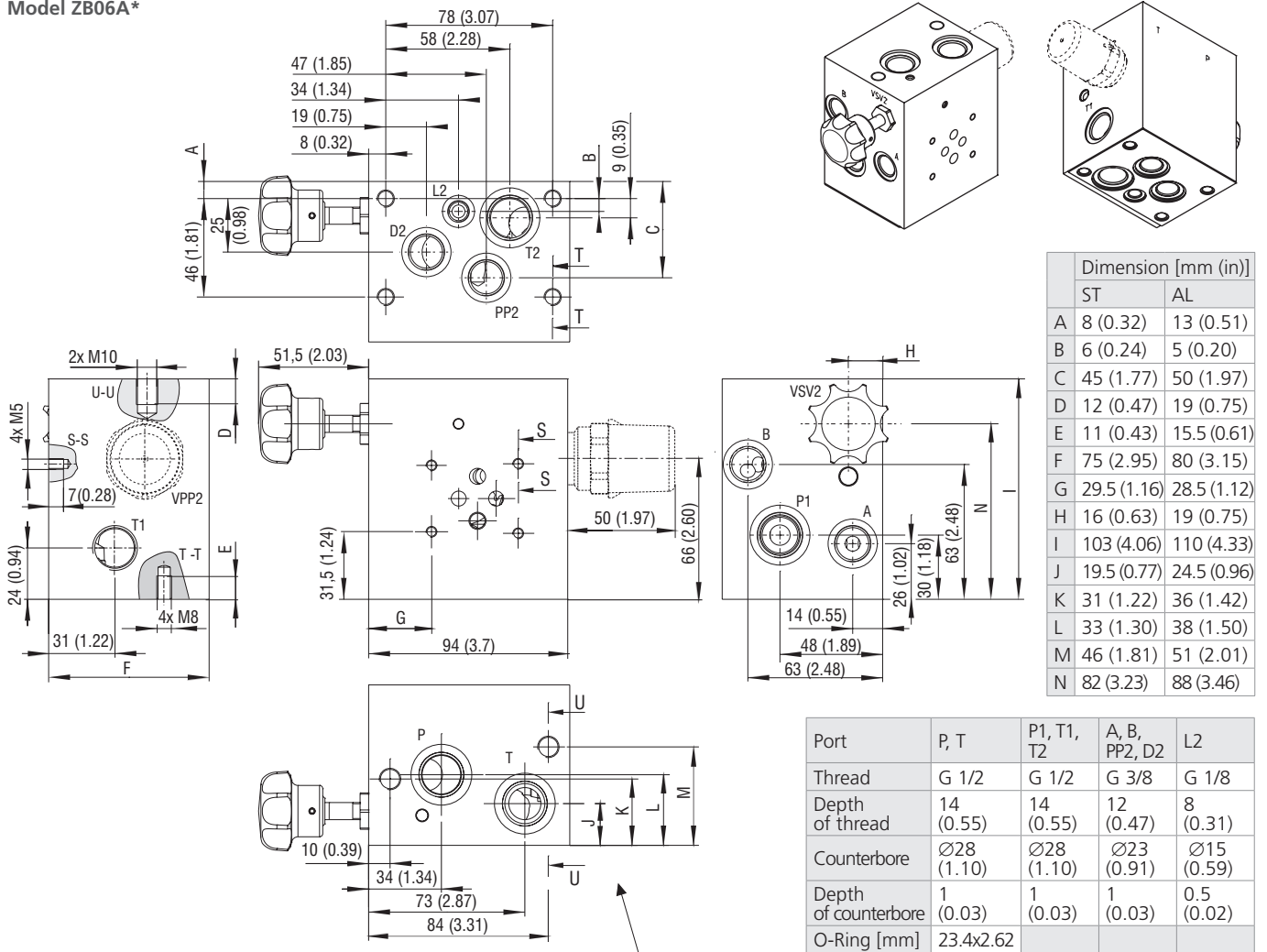
ZB06B* Constant pressure regulation (setting on the pump)



1	Serial plate PD06-Z6
2	Pressure relief valve VPP2-04/MA06*
3	Directional valve RPE3-062R11
4	Blanking plate for ISO 4401 Modular Valve
5	Gear pumps GP*
6	Directional valve RPE3-06
7	Pressure relief valve VPP1-06, VPP2-06/S
8	Return line filter

Dimensions in millimeters (inches)

Model ZB06A*



Model ZB06L*

mounting interface of PD06-Z6 (cat. 0006) serial plates

