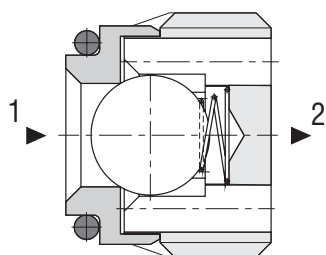


Check Valve, Ball Type
VJO1-06/S

 Size 06 • Q_{max} 20 l/min (5 GPM) • p_{max} 320 bar (4600 PSI)

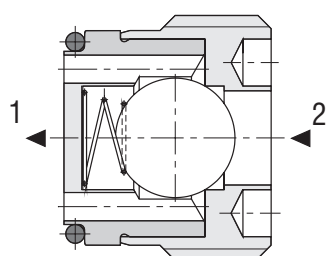
Model 01

Technical Features

- › Hardened precision parts
- › Sharp-edged steel seats for dirt-tolerant performance
- › Leak-free closing, suitable for fast cycling with long life
- › Compact design for limited installation space availability
- › High flow capacity
- › In the standard version, the valve is without surface coating

Functional Description

A hydraulic check valve in the form of a screw-in cartridge-style for use as a blocking or load-holding device. The cartridge has a ball check which is closed by spring until sufficient pressure is applied at port 1(2) to open flow to port 2(1).

During the assembly, the valve has to be secured against loosening by means of a suitable glue or cement (Loctite, etc.).

Model 02


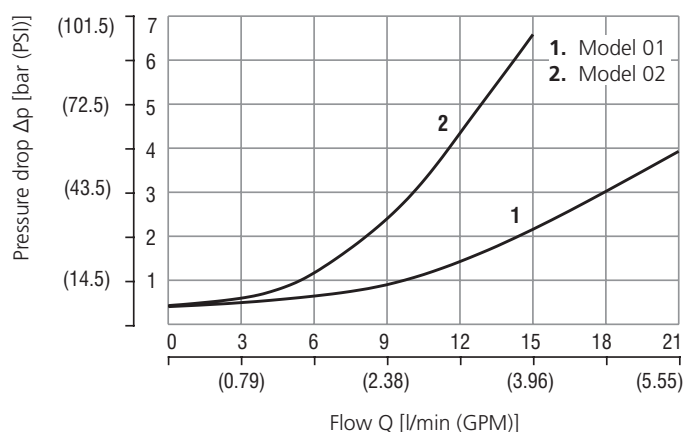
| Symbol | Model 01 | Model 02 |
|--------|----------|----------|
| | | |

Technical Data

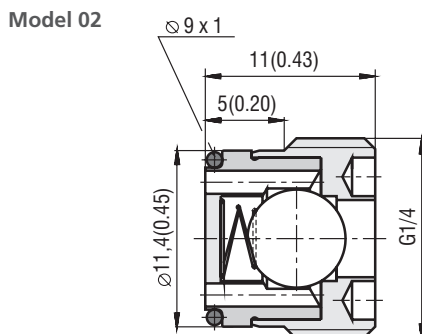
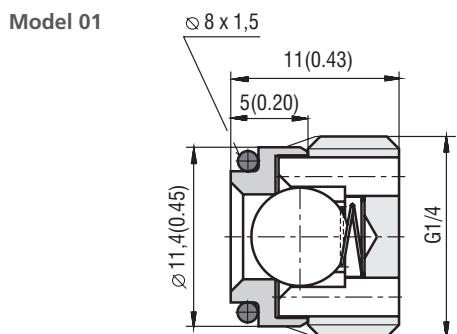
| | | |
|-------------------------------|-------------|------------------------------|
| Valve size | 06 | |
| Max. flow | l/min (GPM) | 20 (5.3) |
| Max. operating pressure | bar (PSI) | 320 (4640) |
| Cracking pressure | bar (PSI) | 0.25 (3.62) |
| Fluid temperature range (NBR) | °C (°F) | -30 +100 (-22 ... +212) |
| Fluid temperature range (FPM) | °C (°F) | -20 +120 (-4 ... +248) |
| Mass | kg (lbs) | 0.007 (0.015) |

| | Datasheet | Type |
|---------------------|-----------|-----------------------------------|
| General information | GI_0060 | Products and operating conditions |
| Spare parts | SP_8010 | |

Characteristics measured at $v = 32 \text{ mm}^2/\text{s}$ (156 SUS)

Pressure drop related to flow rate


Dimensions in millimeters (inches)

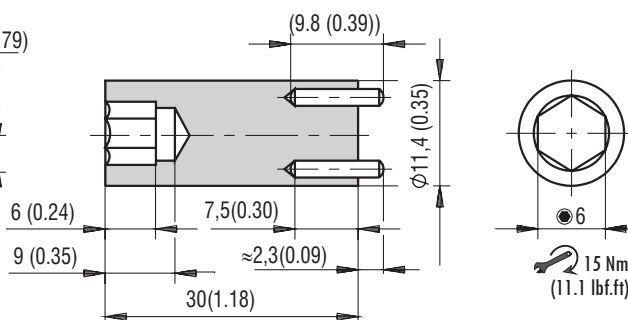
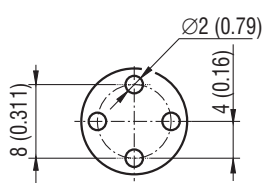
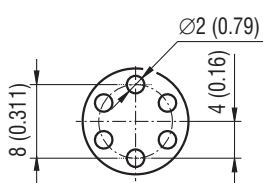


Mounting Tool in millimeters (inches)

Model 01

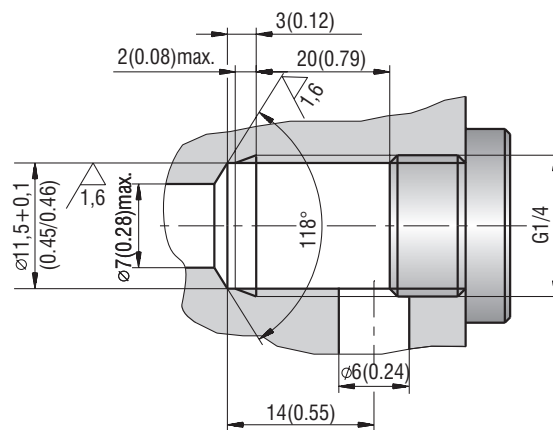
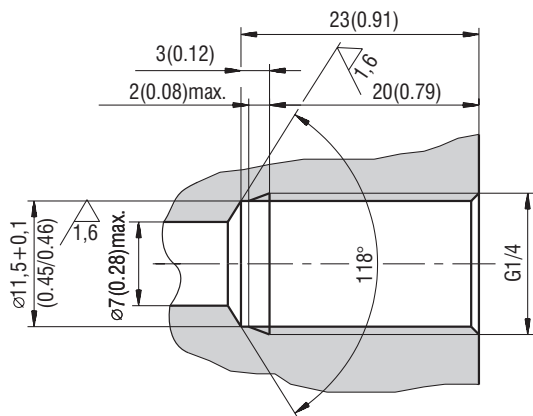
Model 02

Tool for screwing the valve VJO1-06 into cavity



Please see Spare Parts datasheet (8010) for SAP number.

Cavity in millimeters (inches)



Ordering Code

