

## Content

Content .....	1
<b>1 Directional Control Valves and Poppet Valves.....</b>	<b>3</b>
ROR3-062 (4025).....	3
PD2E1 (4050).....	3
SD1E-A2 (4070), SD2E-A2 (4040), SD3E-A2 (4043), SD1M-A2/L (4051) .....	3
SD1E-A3 (4071), SD2E-A3 (4041), SD6H-AY3 (4052) .....	4
SD2E-A4 (4042), SD2E-A4/H3 (4097), SD6H-AY4 (4053) .....	4
SD2E-B2 (4060), SD3E-B2 (4063), SD3E-C2 (4078).....	5
SD2E-B3 (4061).....	5
SD2E-B4 (4062).....	6
SD2H-LA3 (4080).....	6
RPR3-04 (4018), RPR3-06 (4004).....	7
RPR1-10 (4084).....	7
RPH2-06 (4005), RPH3-06 (4006) .....	8
RPK1-06 (4038).....	8
RPEK1-03 (4027).....	9
RPE2-04 (4012).....	10
RPE3-04 (4014).....	11
RPE3-06 (4010), RPEA3-06 (4029), RPEW4-06 (4035), RPER3-06 (4026).....	12
ROE3-042S5(S6) (4055), ROE3-062S2 (4022), ROE3-042S5(S6)M (4073), ROE3-062S2M (4072) .....	13
RPEL1-04 (4037), RPEL2-06 (4056).....	14
RPE4-10 (4039), RPEW4-10 (4044).....	15
RNEH1-10 (4075), RNEH5-16 (4023), RNEH4-25 (4024) .....	16
<b>2 Check Valves.....</b>	<b>17</b>
LV1-043 (5008), LV2-043 (5028), LV1-063/S (5015), LV1-063/M (5030) .....	17
MVJ3-06 (5018), MVJ3-10 (5020) .....	17
VJR1-04/M (5023), VJR2-06/M (5024), 2RJV1-06/M (5021), VJR3-10/M (5035).....	18
RJV1-05 (5111) .....	18
SC1F-A2 (5010), SC1F-B2 (5017), SC1F-C2 (5036), SC1F-A3 (5016) .....	18
SH1F-A3 (5029), SQ1F-N3 (5075), SC5H-BP3 (5037), SC5H-CP3 (5039) .....	18
SC5H-I3/S (5045), SC5H-Q3/I (5217), SC5H-R3/I (5218), SC5H-S3/I (5220), SCD5H-R3/I (5219) .....	19
SCC5H-Q3/I (5221), SCC5H-S3/I (5222) .....	19
VJ3 (5009), VJS3 (5019) .....	19
VJO1-04/M (5012), VJO1-06/S (5004), VJO1-10/S (5307) .....	20
<b>3 Pressure Control Valves .....</b>	<b>21</b>
SU6A-U3/I (5224), SUD6A-V4/I (5225), SUD6A-U4/I (5226) .....	21
VPP2-04/S (5093), VPP2-04/M(R) (5094).....	21
VPP2-06 (5062), VPP2-06-SV/xx-CE1017 (5066) .....	21
VPP1-06(08,10) (5061).....	22
VPN1-06/S, SX, SY (5161), VPN1-06/M(R) (5160).....	22
DBV3 (5092).....	22
VPN2-10/S (5163), VPN2-10/M(R) (5164).....	23
VRN2-06/S (5153), VRN2-06/M (5155), VRN2-10/S (5154), VRN2-10/M (5156).....	23
VRP2-04 (5142), VRP2-06 (5145) .....	24
SS4A-A3 (5049), SP2A-A3 (5143), SP2A-B3 (5146), SP4A-B3 (5144), SS3A-BP3 (5047) .....	24
SR1A-A2 (5063), SR1A-B2 (5064), SR1A-B2*CE1017 (5084), SR4A-B2 (5065), SR4E2-B2 (5068).....	24
VPP-R-16(25) (5300), VPP-R-16-xx-L-CE1017 (5095) .....	25
VPN1-20 (5159) .....	25
<b>4 Flow Control Valves .....</b>	<b>26</b>
SF22A-A2/H (5060), SF22A-B2/H (5067), SF32A-B3/H (5070), ST2C1A-A2 (5133), ST21A-B2 (5134) .....	26
SF2C2A-K2/I (5236), SF32A-K3/I (5227) .....	26
SFD2F-B4/I (5234), SFD2F-D4/I (5235).....	26
VSK (5121), VSO1-04/R (5054).....	27
VSO1-04/M (5053) .....	27
2VS3-06 (5051), VSS1-206 (5032), VSS1-306 (5033), VSS2-206 (5041).....	27
VSO2-10/M (5056), VSO3-10/M (5076).....	27
VSS3-062/S (5057), VSS3-062/M (5050).....	27
VSV2 (5132).....	28
<b>5 Overcentre Valves .....</b>	<b>29</b>
SO5A-BP3 (5199), SO5A-CP3 (5194), SOB5A-BP3 (5197), SOB5A-CP3 (5195) .....	29
SOB5A-BPY3 (5198), SOB5A-CPY3 (5196) .....	29
<b>6 Proportional Valves.....</b>	<b>30</b>
TV2-063/S (5158), TV2-062/M (5166), TV2-063/M (5168), TV2-042/M (5167), TV2-043/M (5188) .....	30
TV2-102/S (5179), TV2-103/S (5180), TV2-102/M (5169), TV2-103/M (5170), SD2P-B4 (5149) .....	30
PP2P1-W3 (5125), PP2P3-W3 (5147).....	31

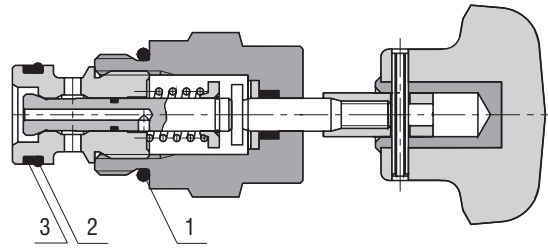
PRL1 (5101), PRL2 (5103).....	31
PRM2-04 (5105), PRM2-06 (5104), PRM6-10 (5115).....	32
PRM7-04 (5120), PRM7-06 (5119), PRM7-10 (5116).....	33
PRM9-06 (5129), PRM9-10 (5130).....	34
PRM8-06 (5178), PRM8-10 (5253).....	35
PVRM1-063/S (5108), PVRM3-10 (5118).....	35
SR1P2-A2 (5122), SR4P2-B2 (5117), SRN1P1-A2 (5137), SRN4P1-B2 (5138).....	36
SP4P2-B3 (5123), SPN4P1-B3 (5139), SP4P1-B4 (5124).....	36
SF32P-C3 (5187).....	37
<b>7 Explosion Proof Valves (ATEX/IECEX).....</b>	<b>38</b>
SD1EX-A2 (4088), SD1EX-A3 (4068), SD2EX-B2 (4064), SD2EX-B3 (4065), SD2EX B4 (4066), SD3EX-B2 (4067), SD3EX-C2 (4089) SD2PX-B4 (5186), PVRMX3-103 (5184).....	38
RPEX3-06 (4054), RPERX3-06 (4095), RPEX3-06*S6 (4094), PRMX2-06 (5183), PRMX8-06 (5185).....	38
RNEXH1-10 (4077), RNEXH5-16 (4058), RNEXH4-25 (4059).....	39
<b>15 Logic Valves.....</b>	<b>40</b>
SL2H-BP3/H2I11 (5044), SL2H-BP3/H2I12 (5043).....	40
<b>Ordering Code - Spare parts.....</b>	<b>41</b>

1 Directional Control Valves and Poppet Valves

Product (Datasheet): **ROR3-062 (4025)**

**Cavity QG2 M22x1.5**

- 1 - O-ring
- 2 - O-ring
- 3 - Back-up ring

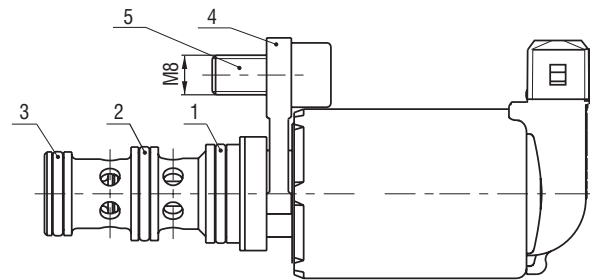


Position	ROR3-062											
<b>1+2+3</b>	Seal Kit	Pos.	O-ring	Pcs	Pos.	O-ring	Pcs	Pos.	Back-up ring	Pcs	Ordering No.	
	NBR	1	19.4x2.1	1	2	14x1.78	1	3	14.73x17.43x1.1	1	15650200	
	FPM		19.4x2.1	2		14x1.78	4		14.73x17.43x1.1	2	16954700	

Product (Datasheet): **PD2E1 (4050)**

**Cavity D17/Y3**  
**Cavity D20/X3, W3**

- 1, 2, 3 - O-ring
- 4 - Fork Slip-In M8
- 5 - Bolt M8x16 (ISO 4762)

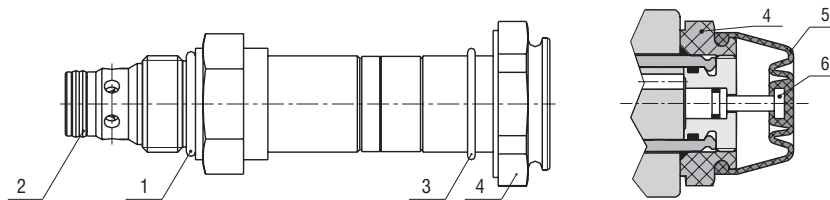


Position	PD2E1											
<b>1+2+3</b>	Seal Kit	Pos.	O-ring	Pcs	Pos.	O-ring	Pcs	Pos.	O-ring	Pcs	Ordering No.	
<b>Cavity</b>	NBR	3	11.2x1.8	1	2	12.42x1.78	1	1	14x1.78	1	17938600	
<b>Y3</b>	FPM	3	11.2x1.8	1	2	12.42x1.78	1	1	14x1.78	1	On request	
<b>Cavity</b>	NBR	3	14x1.78	1	2	16x1.8	1	1	17x1.8	1	16961300	
<b>X3, W3</b>	FPM	3	14x1.78	1	2	16x1.8	1	1	17x1.8	1	On request	
<b>4+5</b>	Kit - Fork+Bolt M8	Pos.		Pcs	Pos.		Pcs				Ordering No.	
		4	Fork SLIP-IN M8	1	5	Bolt M8x16 021143 Zn / PO-A	1				16961500	

Product (Datasheet): **SD1E-A2 (4070), SD2E-A2 (4040), SD3E-A2 (4043), SD1M-A2/L (4051)**

**Cavity A2 3/4-16 UNF**

- 1 - O-ring
- 2 - Dualseal
- 3 - O-ring
- 4 - Retaining nut
- 5 - Rubber boot protector
- 6 - Actuating pin



Position	SD2E-A2/L, SD3E-A2/L, SD1M-A2/L											
<b>1+2</b>	Seal Kit	Pos.	Dualseal PU	Pcs	Pos.	O-ring NBR	Pcs	Pos.	O-ring Viton - FPM	Pcs	Ordering No.	
	NBR	2	10.3x12.7x3.1	1	1	17x1.8	1	-	-	-	20776700	
	FPM	2	10.3x12.7x3.1	1	-	-	-	1	17.17x1.78	1	17014300	
Position	SD2E-A2/L, SD3E-A2/L											
<b>3+4</b>	Nut Kit	Pos.	O-ring	Pcs	Pos.	Retaining nut	Pcs					
		3	13x2	1	4	Plastic	1					15691500
Position	SD2E-A2/L											
<b>5+6</b>	Kit	Pos.	Rubber boot	Pcs	Pos.	Actuating pin	Pcs					
	for M2	5		1	6		1					29269100
Position	SD1E-A2/H, SD2E-A2/H, SD3E-A2/H											
<b>1+2</b>	Seal Kit	Pos.	Dualseal PU	Pcs	Pos.	O-ring NBR	Pcs	Pos.	O-ring Viton - FPM	Pcs	Ordering No.	
	NBR	2	10.3x12.7x3.1	1	1	17x1.8	1	-	-	-	20776700	
	FPM	2	10.3x12.7x3.1	1	-	-	-	1	17.17x1.78	1	17014300	
<b>3+4</b>	Nut Kit	Pos.	O-ring	Pcs	Pos.	Retaining nut	Pcs					
		3	18x1.5	1	4	Plastic	1					20777000
<b>5+6</b>	Kit	Pos.	Rubber boot	Pcs	Pos.	Actuating pin	Pcs					
	for M2	5		1	6		1					24142700

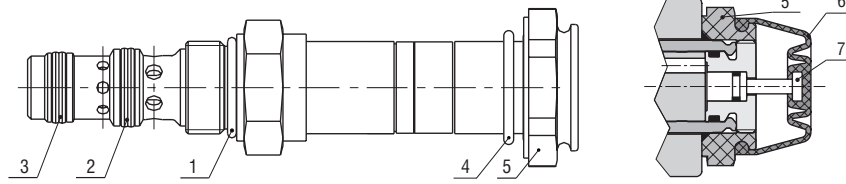
All dimensions are indicated in millimeters [mm].

**1 Directional Control Valves and Poppet Valves**

Product (Datasheet): **SD1E-A3 (4071), SD2E-A3 (4041), SD6H-AY3 (4052)**

**Cavity A3, AY3 3/4-16 UNF**

- 1 - O-ring
- 2, 3 - Dualseal
- 4 - O-ring
- 5 - Retaining nut
- 6 - Rubber boot protector
- 7 - Actuating pin



Position	SD2E-A3/L	Pos.	Dualseal PU	Pcs	Pos.	O-ring NBR	Pcs	Pos.	O-ring Viton - FPM	Pcs	Ordering No.
<b>1+2+3</b>	Seal Kit	<b>3</b>	11.87x14.27x3.1	1	<b>1</b>	17x1.8	1	-	-	-	15661700
		<b>2</b>	13.47x15.87x3.1	1							
	NBR	<b>3</b>	11.87x14.27x3.1	1	-	-	-	-	-	-	-
		<b>2</b>	13.47x15.87x3.1	1	-	-	<b>1</b>	17.17x1.78	1	20777200	
<b>4+5</b>	Nut Kit	<b>Pos.</b>	O-ring	Pcs	<b>Pos.</b>	Retaining nut	Pcs				
		<b>4</b>	13x2	1	<b>5</b>	Plastic	1				15691500
<b>6+7</b>	Kit for M2	<b>Pos.</b>	Rubber boot	Pcs	<b>Pos.</b>	Actuating pin	Pcs				
		<b>6</b>		1	<b>7</b>		1				29269100

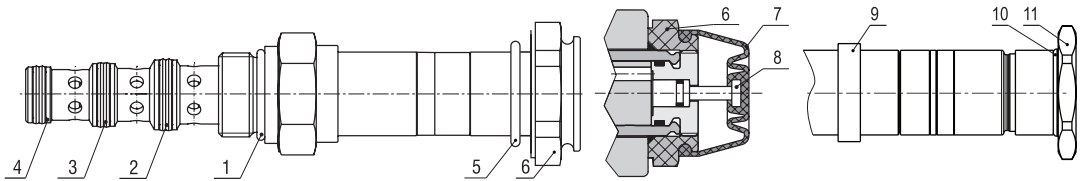
  

Position	SD1E-A3/H, SD2E-A3/H, SD6H-AY3/H	Pos.	Dualseal PU	Pcs	Pos.	O-ring NBR	Pcs	Pos.	O-ring Viton - FPM	Pcs	Ordering No.
<b>1+2+3</b>	Seal Kit	<b>3</b>	11.87x14.27x3.1	1	<b>1</b>	17x1.8	1	-	-	-	15661700
		<b>2</b>	13.47x15.87x3.1	1							
	NBR	<b>3</b>	11.87x14.27x3.1	1	-	-	-	-	-	-	
		<b>2</b>	13.47x15.87x3.1	1	-	-	<b>1</b>	17.17x1.78	1	20777200	
<b>4+5</b>	Nut Kit	<b>Pos.</b>	O-ring	Pcs	<b>Pos.</b>	Retaining nut	Pcs				
		<b>4</b>	18x1.5	1	<b>5</b>	Plastic	1				20777000
<b>6+7</b>	Kit for M2	<b>Pos.</b>	Rubber boot	Pcs	<b>Pos.</b>	Actuating pin	Pcs				
		<b>6</b>		1	<b>7</b>		1				24142700

Product (Datasheet): **SD2E-A4 (4042), SD2E-A4/H3 (4097), SD6H-AY4 (4053)**

**Cavity A4, AY4 3/4-16 UNF**

- 1 - O-ring
- 2, 3, 4 - Dualseal
- 5 - O-ring
- 6 - Retaining nut
- 7 - Rubber boot protector
- 8 - Actuating pin
- 9, 10, 11 - kit for M7, M9 (SD2E-A4/H3)



Position	SD2E-A4/L	Pos.	Dualseal PU	Pcs	O-ring			Pcs	Ordering No.	
<b>1+2+3+4</b>	Seal Kit	<b>4</b>	10.3x12.7x3.1	1	<b>Pos.</b>	NBR	FPM	-	-	
		<b>3</b>	11.87x14.27x3.1	1						<b>1</b>
	<b>2</b>	13.47x15.87x3.1	1							
	NBR	<b>4</b>	10.3x12.7x3.1	1						
		<b>3</b>	11.87x14.27x3.1	1	<b>1</b>	-	17.17x1.78	-	1	20777400
		<b>2</b>	13.47x15.87x3.1	1						
<b>5+6</b>	Sada	<b>Pos.</b>	O-ring	Pcs	<b>Pos.</b>	Retaining nut				
		<b>5</b>	13x2	1	<b>6</b>	Plastic	1			15691500
<b>7+8</b>	Kit for M2	<b>Pos.</b>	Rubber boot	Pcs	<b>Pos.</b>	Actuating pin				
		<b>7</b>		1	<b>8</b>		1			29269100

Position	SD2E-A4/H, SD2E-A4/H3, SD6H-AY4/H	Pos.	Dualseal PU	Pcs	O-ring			Pcs	Ordering No.	
<b>1+2+3+4</b>	Seal Kit	<b>4</b>	10.3x12.7x3.1		<b>Pos.</b>	NBR	FPM	HNBR	-	
		<b>3</b>	11.87x14.27x3.1	1						<b>1</b>
	<b>2</b>	13.47x15.87x3.1	1							
	NBR	<b>4</b>	10.3x12.7x3.1		<b>1</b>	-	17.17x1.78	-	1	20777400
		<b>3</b>	11.87x14.27x3.1	1						
		<b>2</b>	13.47x15.87x3.1	1						
FPM	<b>4</b>	10.3x12.7x3.1		<b>1</b>	-	-	17.17x1.78	1	44499800	
	<b>3</b>	11.87x14.27x3.1	1							
	<b>2</b>	13.47x15.87x3.1	1							
<b>5+6</b>	Nut Kit	<b>Pos.</b>	O-ring	Pcs	<b>Pos.</b>	Retaining nut				
		<b>5</b>	18x1.5	1	<b>6</b>	Plastic	1			20777000
<b>7+8</b>	Kit for M2	<b>Pos.</b>	Rubber boot	Pcs	<b>Pos.</b>	Actuating pin				
		<b>7</b>		1	<b>8</b>		1			24142700

Position	SD2E-A4/H3	Pos.	Washer for coil C19	Pcs	Pos.	O-ring	Pcs	Pos.	Hexagon nut	Pcs	Ordering No.
<b>9+10+11</b>	Kit for M7, M9	<b>9</b>		1	<b>10</b>	15x1.8 VMQ	1	<b>11</b>	M18x1x4x27 PO-B	1	44498500

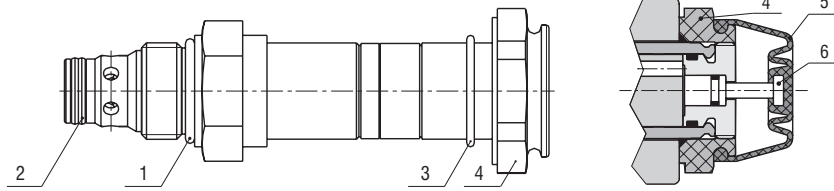
All dimensions are indicated in millimeters [mm].

**1 Directional Control Valves and Poppet Valves**

Product (Datasheet): **SD2E-B2 (4060), SD3E-B2 (4063), SD3E-C2 (4078)**

**Cavity B2 7/8-14 UNF**

- 1 - O-ring
- 2 - Dualseal
- 3 - O-ring
- 4 - Retaining nut
- 5 - Rubber boot protector
- 6 - Actuating pin



Position	SD2E-B2/L, SD3E-B2/L										
<b>1+2</b>	Seal Kit	Pos.	Dualseal PU	Pcs	Pos.	O-ring NBR	Pcs	Pos.	O-ring Viton - FPM	Pcs	Ordering No.
	NBR	2	13.47x15.87x3.1	1	1	19.4x2.1	1	-	-	-	18960400
	FPM	2	13.47x15.87x3.1	1	-	-	-	1	19.4x2.1	1	18960500
<b>3+4</b>	Nut Kit	Pos.	O-ring	Pcs	Pos.	Retaining nut	Pcs				
		3	18x1.5	1	4	Plastic	1				20777000
<b>5+6</b>	Kit	Pos.	Rubber boot	Pcs	Pos.	Actuating pin	Pcs				
	for M2	5		1	6		1				24142700

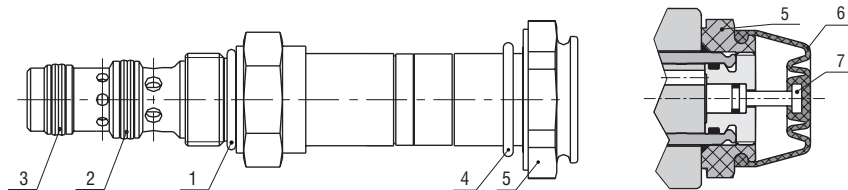
Position	SD2E-B2/H, SD3E-B2/H										
<b>1+2</b>	Seal Kit	Pos.	Dualseal PU	Pcs	Pos.	O-ring NBR	Pcs	Pos.	O-ring Viton - FPM	Pcs	Ordering No.
	NBR	2	13.47x15.87x3.1	1	1	19.4x2.1	1	-	-	-	18960400
	FPM	2	13.47x15.87x3.1	1	-	-	-	1	19.4x2.1	1	18960500
<b>3+4</b>	Nut Kit	Pos.	O-ring	Pcs	Pos.	Retaining nut	Pcs				
		3	22x2	1	4	Plastic	1				15844600
<b>3+4+5+6</b>	Kit with retaining nut for M2	Pos.	Rubber boot	Pcs	Pos.	Actuating pin	Pcs				
		5		1	6		1				18961700

Position	SD3E-C2/H										
<b>1+2</b>	Seal Kit	Pos.	Dualseal PU	Pcs	Pos.	O-ring NBR	Pcs	Pos.	O-ring Viton - FPM	Pcs	Ordering No.
	NBR	2	19.62x22.22x3.8	1	1	23.47x2.95	1	-	-	-	40730500
	FPM	2	19.62x22.22x3.8	1	-	-	-	1	23.47x2.95	1	40730600
<b>3+4</b>	Nut Kit	Pos.	O-ring	Pcs	Pos.	Retaining nut	Pcs				
		3	22x2	1	4	Plastic	1				15844600
<b>3+4+5+6</b>	Kit with retaining nut for M2	Pos.	Rubber boot	Pcs	Pos.	Actuating pin	Pcs				
		5		1	6		1				18961700

Product (Datasheet): **SD2E-B3 (4061)**

**Cavity B3 7/8-14 UNF**

- 1 - O-ring
- 2, 3 - Dualseal
- 4 - O-ring
- 5 - Retaining nut
- 6 - Rubber boot
- 7 - Actuating pin



Position	SD2E-B3/L										
<b>1+2+3</b>	Seal Kit	Pos.	Dualseal PU	Pcs	Pos.	O-ring NBR	Pcs	Pos.	O-ring Viton - FPM	Pcs	Ordering No.
	NBR	3	13.47x15.87x3.1	1	1	19.4x2.1	1	-	-	-	18960700
		2	15.07x17.47x3.1	1							
	FPM	3	13.47x15.87x3.1	1	-	-	-	1	19.4x2.1	1	18960600
		2	15.07x17.47x3.1	1							
<b>4+5</b>	Nut Kit	Pos.	O-ring	Pcs	Pos.	Retaining nut	Pcs				
		4	18x1.5	1	5	Plastic	1				20777000
<b>6+7</b>	Kit	Pos.	Rubber boot	Pcs	Pos.	Actuating pin	Pcs				
	for M2	6		1	7		1				24142700

Position	SD2E-B3/H										
<b>1+2+3</b>	Seal Kit	Pos.	Dualseal PU	Pcs	Pos.	O-ring NBR	Pcs	Pos.	O-ring Viton - FPM	Pcs	Ordering No.
	NBR	3	13.47x15.87x3.1	1	1	19.4x2.1	1	-	-	-	18960700
		2	15.07x17.47x3.1	1							
	FPM	3	13.47x15.87x3.1	1	-	-	-	1	19.4x2.1	1	18960600
		2	15.07x17.47x3.1	1							
<b>4+5</b>	Nut Kit	Pos.	O-ring	Pcs	Pos.	Retaining nut	Pcs				
		4	22x2	1	5	Plastic	1				15844600
<b>4+5+6+7</b>	Kit with retaining nut for M2	Pos.	Rubber boot	Pcs	Pos.	Actuating pin	Pcs				
		6		1	7		1				18961700

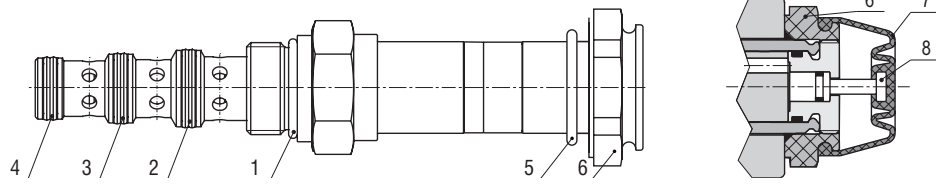
All dimensions are indicated in millimeters [mm].

1 Directional Control Valves and Poppet Valves

Product (Datasheet): **SD2E-B4 (4062)**

**Cavity B4 7/8-14 UNF**

- 1 - O-ring
- 2, 3, 4 - Dualseal
- 5 - O-ring
- 6 - Retaining nut
- 7 - Rubber boot
- 8 - Actuating pin



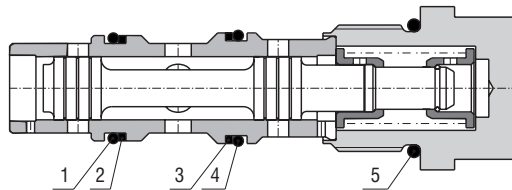
Position	SD2E-B4/L										
<b>1+2+3+4</b>	Seal Kit	Pos.	Dualseal PU	Pcs	Pos.	O-ring NBR	Pcs	Pos.	O-ring Viton - FPM	Pcs	Ordering No.
	NBR	4	13.47x15.87x3.1	1	1	19.4x2.1	1	-	-	-	18960800
		3	15.07x17.47x3.1	1							
		2	16.65x19.05x3.1	1							
	FPM	4	13.47x15.87x3.1	1	-	-	-	1	19.4x2.1	1	18960900
		3	15.07x17.47x3.1	1							
		2	16.65x19.05x3.1	1							
<b>5+6</b>	Nut Kit	Pos.	O-ring	Pcs	Pos.	Retaining nut	Pcs				Ordering No
		5	18x1.5	1	6	Plastic	1				20777000
<b>7+8</b>	Kit	Pos.	Rubber boot	Pcs	Pos.	Actuating pin	Pcs				Ordering No
	for M2	7		1	8		1				24142700

Position	SD2E-B4/H										
<b>1+2+3+4</b>	Seal Kit	Pos.	Dualseal PU	Pcs	Pos.	O-ring NBR	Pcs	Pos.	O-ring Viton - FPM	Pcs	Ordering No.
	NBR	4	13.47x15.87x3.1	1	1	19.4x2.1	1	-	-	-	18960800
		3	15.07x17.47x3.1	1							
		2	16.65x19.05x3.1	1							
	FPM	4	13.47x15.87x3.1	1	-	-	-	1	19.4x2.1	1	18960900
		3	15.07x17.47x3.1	1							
		2	16.65x19.05x3.1	1							
<b>5+6</b>	Nut Kit	Pos.	O-ring	Pcs	Pos.	Retaining nut	Pcs				Ordering No
		5	22x2	1	6	Plastic	1				15844600
<b>5+6+7+8</b>	Kit with retaining nut for M2	Pos.	Rubber boot	Pcs	Pos.	Actuating pin	Pcs				Ordering No
		7		1	8		1				18961700

Product (Datasheet): **SD2H-LA3 (4080)**

**Cavity LA3 M24x1.5**

- 1 - O-ring
- 2 - Back-up ring
- 3 - Back-up ring
- 4 - O-ring
- 5 - O-ring



Position	SD2H-LA3										
<b>1+2+3+4+5</b>	Seal Kit	Pos.	O-ring NBR	Pcs	Pos.	Back-up ring (PTFE)	Pcs	Ordering No.			
	NBR	1	16x2	1	2	17x20x1.4	1	40101900			
		4	17x2	1	3	18x21x1.4	1				
		5	21.3x2.4	1	-		-				
<b>1+2+3+4+5</b>	Seal Kit	Pos.	O-ring Viton - FPM	Pcs	Pos.	Back-up ring (PTFE)	Pcs	Ordering No.			
	FPM	1	16x2	1	2	17x20x1.4	1	On request			
		4	17x2	1	3	18x21x1.4	1				
		5	21.3x2.4	1	-		-				

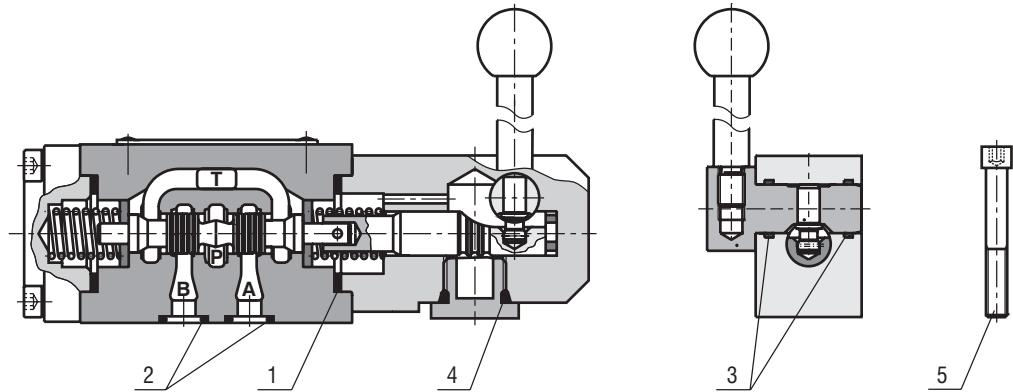
All dimensions are indicated in millimeters [mm].

**1 Directional Control Valves and Poppet Valves**

Product (Datasheet): **RPR3-04 (4018), RPR3-06 (4004)**

**Valve size 04, 06**

- 1 - O-ring
- 2 - Square ring (NBR), O-ring (FPM)
- 3 - O-ring
- 4 - O-ring
- 5 - Bolt

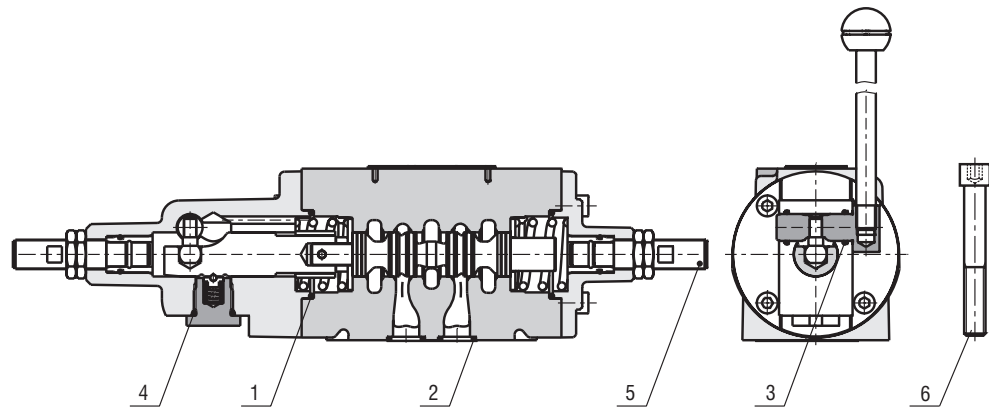


Position	RPR3-04													
<b>1+2+3+4</b>	Seal Kit	Pos.	O-ring	Pcs	Pos.	Ring	Pcs	Pos.	O-ring	Pcs	Pos.	O-ring	Pcs	Ordering No.
	NBR	1	22x2	2	2	Square ring 7.65x1.68	4	3	11x1.5	2	4	11.3x2.4	1	15673600
	FPM		22x2	2		O-ring 7.5x1.8	4		11x1.5	2		11.3x2.4	1	20897200
<b>5</b>	Bolt Kit	Pos.	Mounting bolts for steel plates				Pcs							Ordering No.
		5	Bolt M5x35				4							15874600
Bolts for flange			M4x16											
For studs see Datasheet Studs and Nuts_Dn04_06_10_0020														
Position	RPR3-06													
<b>1+2+3+4</b>	Seal Kit	Pos.	O-ring	Pcs	Pos.	Ring	Pcs	Pos.	O-ring	Pcs	Pos.	O-ring	Pcs	Ordering No.
	NBR	1	22x2	2	2	Square ring 9.25x1.68	4	3	11x1.5	2	4	11.3x2.4	1	15700300
	FPM		22x2	2		O-ring 9.25x1.78	4		11x1.5	2		11.3x2.4	1	15700600
<b>5</b>	Bolt Kit	Pos.	Mounting bolts for steel plates				Pcs							Ordering No.
		5	Bolt M5x45				4							15845100
Bolts for flange			M5x16											
							Mounting bolts for flange are not available							
For studs see Datasheet Studs and Nuts_Dn04_06_10_0020														

Product (Datasheet): **RPR1-10 (4084)**

**Valve size 10**

- 1 - O-ring
- 2 - Square ring
- 3 - O-ring
- 4 - O-ring
- 5 - Sensor
- 6 - Bolt



Position	RPR1-10													
<b>1+2+3+4</b>	Seal Kit	Pos.	O-ring	Pcs	Pos.	Square ring	Pcs	Pos.	O-ring	Pcs	Pos.	O-ring	Pcs	Ordering No.
	NBR	1	32x2	2	2	12.42x1.68	5	3	11x1.5	2	4	14x1.78	1	33830800
	FPM		32x2	2		12.42x1.68	5		11x1.5	2		14x1.78	1	34635600
<b>5</b>	Model	Pos.					Pcs	Max. input voltage				Ordering No.		
Sensor	S1	5	normally-open sensor (210 bar)				1	10...30 VDC				18961900		
	S4		normally-closed sensor (210 bar)				1					31022300		
<b>6</b>	Bolt Kit			Pos.			Pcs							
Mounting bolts for steel plates				6	Bolt M6x45		4	for studs see Datasheet 0020				20239000		

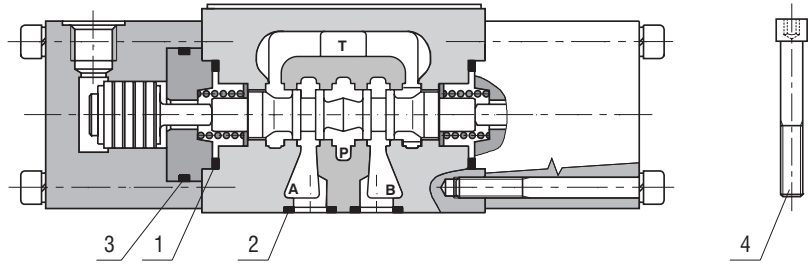
All dimensions are indicated in millimeters [mm].

**1 Directional Control Valves and Poppet Valves**

Product (Datasheet): **RPH2-06 (4005), RPH3-06 (4006)**

**Valve size 06**

- 1 - O-ring
- 2 - Square ring (NBR), O-ring (FPM)
- 3 - O-ring
- 4 - Bolt

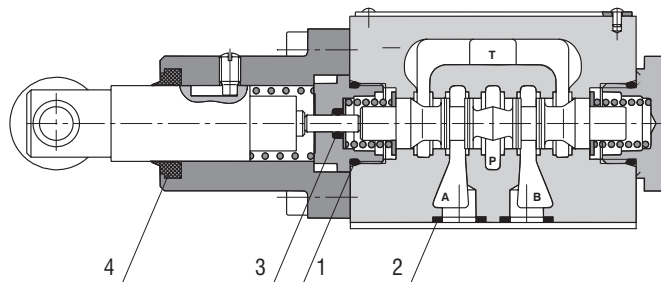


Position		RPH2-06												
<b>1+2+3</b>	Seal Kit	Pos.	O-ring	Pcs	Pos.	Ring	Pcs	Pos.	O-ring	Pcs	Ordering No.			
	NBR	<b>1</b>	22x2	2	<b>2</b>	Square ring 9.25x1.68	4	<b>3</b>	28x2	2	20980500			
	FPM		22x2	2		O-ring 9.25x1.78	4		28x2	2	20980600			
<b>4</b>	Bolt Kit	Pos.								Pcs	Ordering No.			
Mounting bolts for steel plates		<b>4</b>	Bolt M5x45						4	15845100				
Position		RPH3-06												
<b>1+2</b>	Seal Kit	Pos.	O-ring	Pcs	Pos.	Ring	Pcs						Ordering No.	
	NBR	<b>1</b>	17x1.8	2	<b>2</b>	Square ring 9.25x1.68	4						15845200	
	FPM		17.17x1.78	2		O-ring 9.25x1.78	4						15845400	
<b>4</b>	Bolt Kit	Pos.								Pcs	Ordering No.			
Mounting bolts for steel plates		<b>4</b>	Bolt M5x45						4	15845100				
Bolts for flange		M5x16								Mounting bolts for flange are not available				
For studs see Datasheet Studs and Nuts_Dn04_06_10_0020														

Product (Datasheet): **RPK1-06 (4038)**

**Valve size 06**

- 1 - O-ring
- 2 - Square ring (NBR), O-ring (FPM)
- 3 - O-ring
- 4 - Wiper ring



Position		RPK1-06														
<b>1+2+3+4</b>	Seal Kit	Pos.	O-ring	Pcs	Pos.	Ring	Pcs	Pos.	O-ring	Pcs	Pos.	Wiper ring	Pcs	Ordering No.		
	NBR	<b>1</b>	17x1.8	2	<b>2</b>	Square ring 9.25x1.68	4	<b>3</b>	3.68x1.78	1	<b>4</b>	WSW 000180 ASW	1	20980900		
	FPM		17.17x1.78	2		O-ring 9.25x1.78	4		3.68x1.78	1			34524700			
<b>5</b>	Bolt Kit	Pos.	Mounting bolts for steel plates							Pcs						Ordering No.
		<b>5</b>	Bolt M5x45						4	for studs see Datasheet 0020				15845100		

All dimensions are indicated in millimeters [mm].

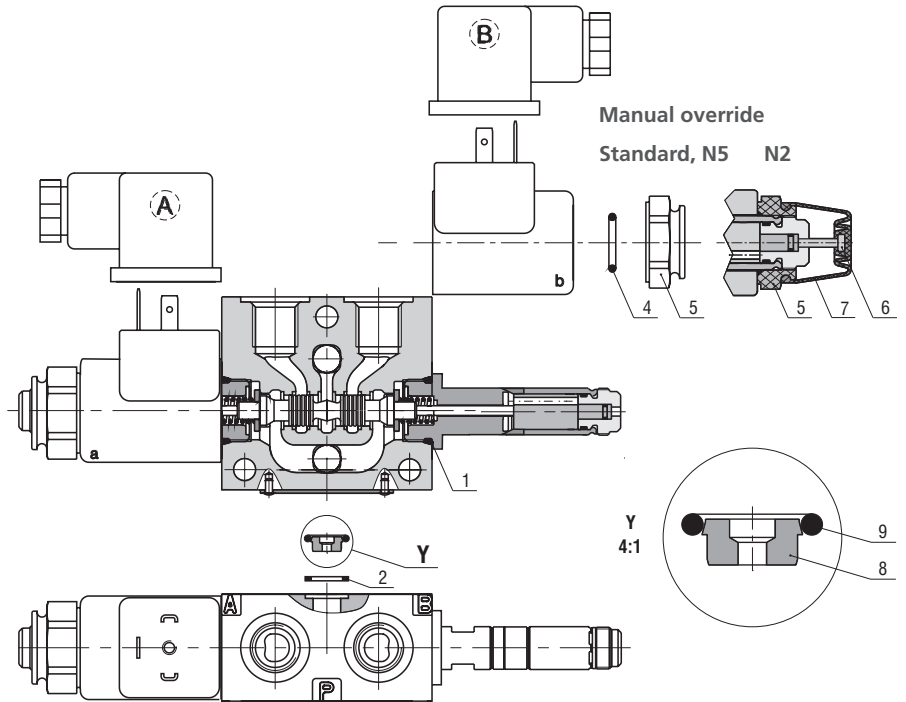
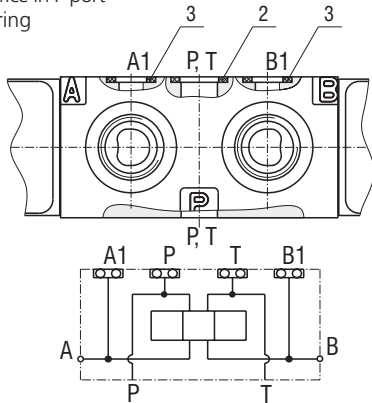


1 Directional Control Valves and Poppet Valves

Product (Datasheet): **RPEK1-03 (4027)**

Valve size 03

- 1 - O-ring
- 2 - Square ring (NBR), O-ring (FPM)
- 3 - Square ring (NBR), O-ring (FPM)
- 4 - O-ring
- 5 - Retaining nut
- 6 - Actuating pin
- 7 - Rubber boot
- 8 - Orifice in P port
- 9 - O-ring



For solenoid coil see datasheet C\_8007.  
For electrical connector see datasheet K\_8008.

Position	RPEK1-03*										
<b>1+2+3</b>	Seal Kit	Pos.	O-ring	Pcs	Pos.	Ring	Pcs	Pos.	Ring	Pcs	Ordering No.
Universal kit for all designations	NBR	1	16x2	2	2	Square ring 9.25x1.68	2	3	Square ring 7.65x1.68	2	28839800
	FPM	1	16x2	2	2	O-ring 9.25x1.78	2	3	O-ring 7.65x1.78	2	28840100
<b>4+5</b>	Nut Kit	Pos.	O-ring	Pcs	Pos.	Retaining nut	Pcs				
Standard, N5, N2	Standard, N5, N2	4	13x2	1	5	Plastic	1				
<b>6+7</b>	Kit	Pos.	Actuating pin	Pcs	Pos.	Rubber boot	Pcs				
	N2	6		1	7		1				
<b>8+9</b>	Kit	Pos.	Orifice in P port	Pcs	Pos.	O-ring NBR	Pcs				
Orifice in P port with NBR seal		8	Ø1.0	1	9	9.25x1.78	1	On request			
			Ø1.5	1							
			Ø2.0	1							
			Ø2.2	1							
			Ø2.5	1							
<b>8+9</b>	Kit	Pos.	Orifice in P port	Pcs	Pos.	O-ring FPM	Pcs				
Orifice in P port with FPM seal		8	Ø1.0	1	9	9.25x1.78	1	Ordering No.			
			Ø1.5	1							
			Ø2.0	1							
			Ø2.2	1							
			Ø2.5	1							

All dimensions are indicated in millimeters [mm].

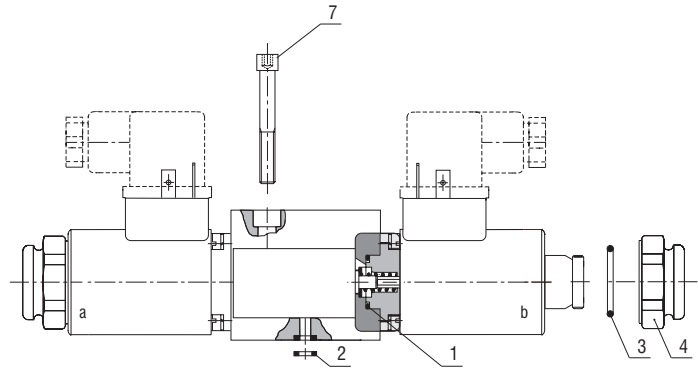
1 Directional Control Valves and Poppet Valves

Product (Datasheet): **RPE2-04 (4012)**

**Valve size 04**

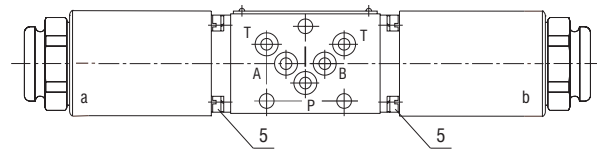
- 1 - O-ring
- 2 - Square ring (NBR)
- 3 - O-ring
- 4 - Retaining nut
- 5 - Bolts for moutange of flange
- 6 - Bolts for moutange of cover
- 7 - Mounting bolt

**Valve with two solenoids**  
3-position valve



**Mounting surface 2**

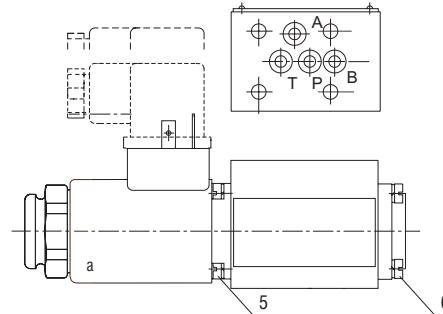
acc. to former CETOP-RP 121H



**Mounting surface 3**

acc. to former ISO 4401-AA-02-4-A

**Valve with one solenoid**  
2-position valve



For solenoid coil see datasheet C\_8007.  
For electrical connector see datasheet K\_8008.

Position	RPE2-04*2									
1+2	Seal Kit	Pos.	O-ring	Pcs	Pos.	Square ring	Pcs			Ordering No.
	NBR	1	15x1.8	2	2	5.28x1.68	5			20882100
	RPE2-04*3									
	Seal Kit	Pos.	O-ring	Pcs	Pos.	O-ring	Pcs			Ordering No.
	NBR	1	15x1.8	2	2	6x1.5	4			15669000
Position	RPE2-04*2, RPE2-04*3									
3+4	Nut Kit	Pos.	O-ring	Pcs	Pos.	Retaining nut	Pcs			Ordering No.
	Standard	3	18x1.5	1	4	Plastic	1			15874500
Position	3-position valve									
5+5	Bolt Kit	Pos.	Bolt	Pcs	Pos.	Bolt	Pcs	Pos.	Washer	Pcs
		5	M4x12	4	5	M4x12	4	-	D4.1	8
Position	2-position valve									
5+6	Bolt Kit	Pos.	Bolt	Pcs	Pos.	Bolt	Pcs	Pos.	Washer	Pcs
		5	M4x12	4	6	M4x10	4	-	D4.1	8
7	Bolt Kit	Pos.	Universal kit				Pcs			Ordering No.
Mounting bolts for steel plates Bolt M5x50		7	for Mounting surface 2 or 3				4	for studs see Datasheet 0020		21484000

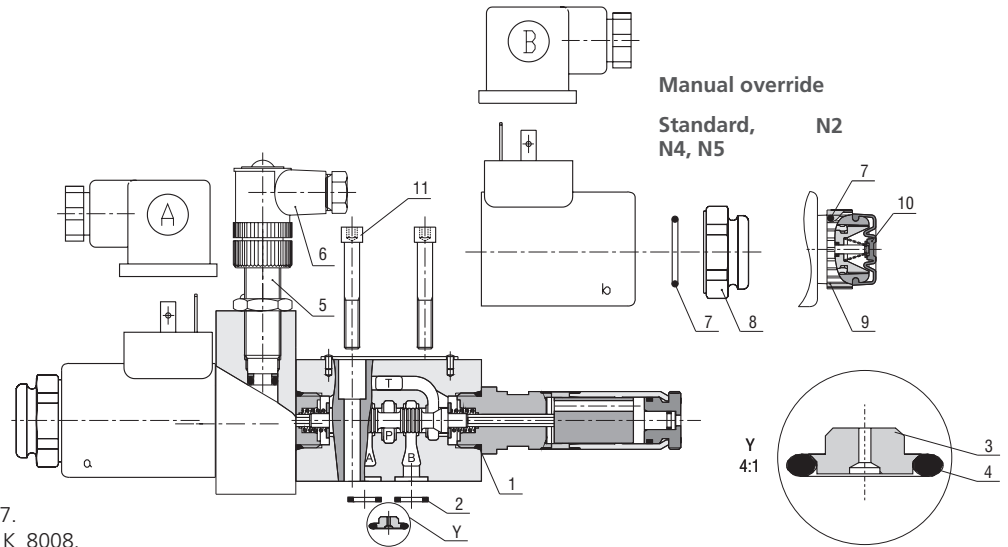
All dimensions are indicated in millimeters [mm].

**1 Directional Control Valves and Poppet Valves**

Product (Datasheet): **RPE3-04 (4014)**

**Valve size 04**

- 1 - O-ring
- 2 - Square ring (NBR), O-ring (FPM)
- 3 - Orifice in P port
- 4 - O-ring
- 5 - Sensor
- 6 - Connector  
of position sensor  
with LED
- 7 - O-ring
- 8 - Retaining nut
- 9 - Retaining nut
- 10 - Rubber boot
- 11 - Mounting bolt



For solenoid coil see datasheet C\_8007.  
For electrical connector see datasheet K\_8008.

Position	RPE3-04										
<b>1+2</b>	Seal Kit	<b>Pos.</b>	O-ring	Pcs	<b>Pos.</b>	Ring	Pcs			Ordering No.	
	NBR	<b>1</b>	16x2	2	<b>2</b>	Square ring 7.65x1.68	4			15873800	
	FPM		16x2	2		O-ring 7.5x1.8	4			15874400	
<b>3+4</b>	Kit	<b>Pos.</b>	Orifice in P port	Pcs	<b>Pos.</b>	O-ring NBR	Pcs			Ordering No.	
Orifice in P port with NBR seal		<b>3</b>	Ø0.8	1	<b>4</b>	7.65x1.78	1			15874000	
			Ø1.0	1				15874100			
			Ø1.2	1				15874200			
			Ø1.5	1				15874300			
			Ø0.7	1				15874900			
<b>3+4</b>	Kit	<b>Pos.</b>	Orifice in P port	Pcs	<b>Pos.</b>	O-ring FPM	Pcs			Ordering No.	
Orifice in P port with FPM seal		<b>3</b>	Ø0.8	1	<b>4</b>	7.65x1.78	1			On request	
			Ø1.0	1							
			Ø1.2	1							
			Ø1.5	1							
			Ø0.7	1							
<b>5</b>	Model				<b>Pos.</b>		Pcs	Max. input voltage		Ordering No.	
Sensor	S1	normally-open sensor (210 bar)			<b>5</b>		1	10...30 VDC		18961900	
	S4	normally-closed sensor (210 bar)					1		31022300		
<b>6</b>					<b>Pos.</b>		Pcs	Max. input voltage		Ordering No.	
Connector	K02	connector of position sensor with LED			<b>6</b>		1	10...30 VDC		17364800	
<b>7+8</b>	Nut Kit	<b>Pos.</b>	O-ring	Pcs	<b>Pos.</b>	Retaining nut	Pcs			Ordering No.	
	ST, N4, N5	<b>7</b>	18x1.5	1	<b>8</b>	Plastic	1			15874500	
<b>7+9+10</b>	Nut Kit	<b>Pos.</b>	O-ring	Pcs	<b>Pos.</b>	Retaining nut	Pcs	<b>Pos.</b>	Rubber boot	Pcs	Ordering No.
	N2	<b>7</b>	18x1.5	1	<b>9</b>	Plastic	1	<b>10</b>		1	15874800
<b>11</b>	Bolt Kit	<b>Pos.</b>					Pcs				Ordering No.
Mounting bolts for steel plates	<b>11</b>		Bolt M5x35				4		for studs see Datasheet 0020		15874600

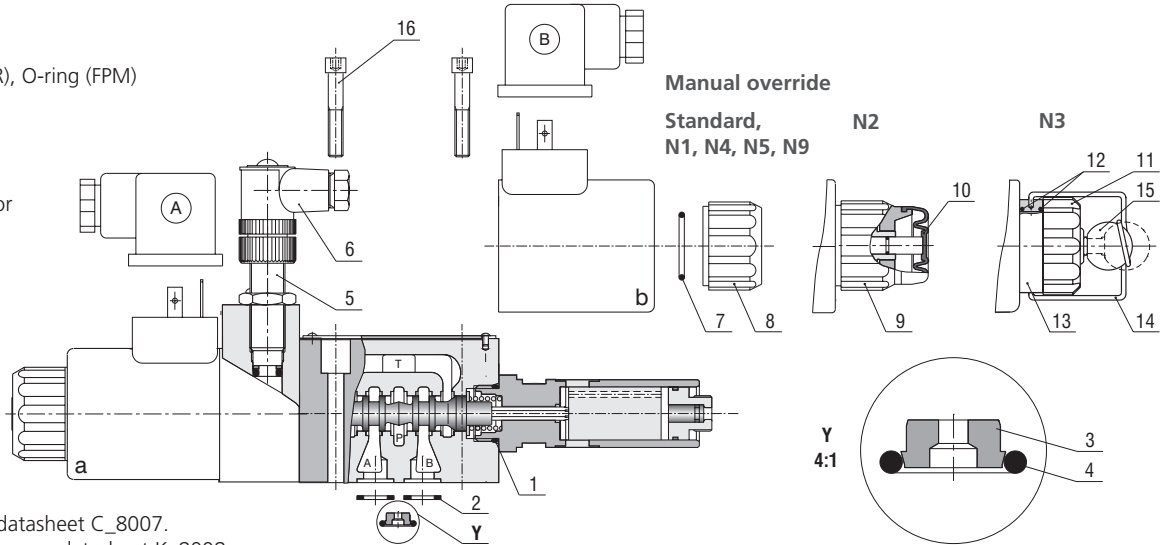
All dimensions are indicated in millimeters [mm].

**1 Directional Control Valves and Poppet Valves**

Product (Datasheet): **RPE3-06 (4010), RPEA3-06 (4029), RPEW4-06 (4035), RPER3-06 (4026)**

**Valve size 06**

- 1 - O-ring
- 2 - Square ring (NBR), O-ring (FPM)
- 3 - Orifice in P port
- 4 - O-ring
- 5 - Sensor
- 6 - Connector of position sensor with LED
- 7 - O-ring
- 8 - Retaining nut
- 9 - Retaining nut
- 10 - Rubber boot
- 11 - Nut
- 12 - O-ring
- 13 - Ring
- 14 - Bracket
- 15 - Ball
- 16 - Mounting bolt



For solenoid coil see datasheet C\_8007.  
For electrical connector see datasheet K\_8008.

Position	RPE3-06, RPEA3-06, RPEW4-06, RPER3-06											
<b>1+2</b>	Seal Kit											
	NBR	<b>Pos.</b>	O-ring	Pcs	<b>Pos.</b>	Ring	Pcs	Ordering No.				
	FPM	<b>1</b>	17x1.8	2	<b>2</b>	Square ring 9.25x1.68	4	15845200				
			17.17x1.78	2		O-ring 9.25x1.78	4	15845400				
<b>Position</b>	<b>RPE3-06, RPEA3-06, RPEW4-06</b>											
<b>3+4</b>	Kit											
Orifice in P port with NBR seal		<b>Pos.</b>	Orifice in P port	Pcs	<b>Pos.</b>	O-ring NBR	Pcs	Ordering No.				
		<b>3</b>	Ø1.0	1	<b>4</b>	9.25x1.78	1	On request				
			Ø1.5	1								
			Ø2.0	1								
			Ø2.2	1								
		Ø2.5	1									
<b>3+4</b>	Kit											
Orifice in P port with FPM seal		<b>Pos.</b>	Orifice in P port	Pcs	<b>Pos.</b>	O-ring FPM	Pcs	Ordering No.				
		<b>3</b>	Ø1.0	1	<b>4</b>	9.25x1.78	1	15845600				
			Ø1.5	1				15845700				
			Ø2.0	1				15845800				
			Ø2.2	1				15846000				
		Ø2.5	1	15845900								
<b>Position</b>	<b>RPE3-06</b>											
<b>5</b>	Model				<b>Pos.</b>		Pcs	Max. input voltage	Ordering No.			
Sensor	S1	normally-open sensor (210 bar)			<b>5</b>		1	10...30 VDC	18961900			
	S4	normally-closed sensor (210 bar)					1		31022300			
<b>6</b>					<b>Pos.</b>		Pcs	Max. input voltage	Ordering No.			
Connector	K02	connector of position sensor with LED			<b>6</b>		1	10...30 VDC	17364800			
<b>Position</b>	<b>RPER3-06</b>											
<b>7+8</b>	Nut Kit				<b>Pos.</b>	O-ring	Pcs	<b>Pos.</b>	Retaining nut	Pcs		
	Standard	<b>7</b>	22x2	1	<b>8</b>	Plastic	1	Ordering No.				
					<b>8</b>	Plastic	1	15844600				
<b>Position</b>	<b>RPE3-06, RPEA3-06, RPEW4-06</b>											
<b>7+8</b>	Nut Kit				<b>Pos.</b>	O-ring	Pcs	<b>Pos.</b>	Retaining nut	Pcs		
	Standard, N4,N5,N9	<b>7</b>	22x2	1	<b>8</b>	Plastic	1	Ordering No.				
	N1				<b>8</b>	Plastic	1	15844700				
<b>7+9+10</b>	Nut Kit				<b>Pos.</b>	O-ring	Pcs	<b>Pos.</b>	Retaining nut	Pcs		
	N2	<b>7</b>	22x2	1	<b>9</b>	Plastic	1	<b>10</b>	Rubber boot	Pcs		
										1		
										15844800		
<b>11+12+13+14</b>	<b>Pos.</b>	Retaining nut	Pcs	<b>Pos.</b>	O-ring	Pcs	<b>Pos.</b>	Ring	Pcs	<b>Pos.</b>	Bracket	Pcs
Nut Kit	<b>11</b>	Plastic	1	<b>12</b>	22x2	2	<b>13</b>	Steel	1	<b>14</b>	Steel	1
											15844900	
<b>15</b>	<b>Pos.</b>	Ball										
	<b>15</b>	D16 M6, bakelite										
											Ordering No.	
											20346700	
<b>Position</b>	<b>RPE3-06, RPEA3-06, RPEW4-06, RPER3-06</b>											
<b>16</b>	Bolt Kit				<b>Pos.</b>		Pcs			Ordering No.		
Mounting bolts for steel plates		<b>16</b>	Bolt M5x45				4	for studs see Datasheet 0020		15845100		

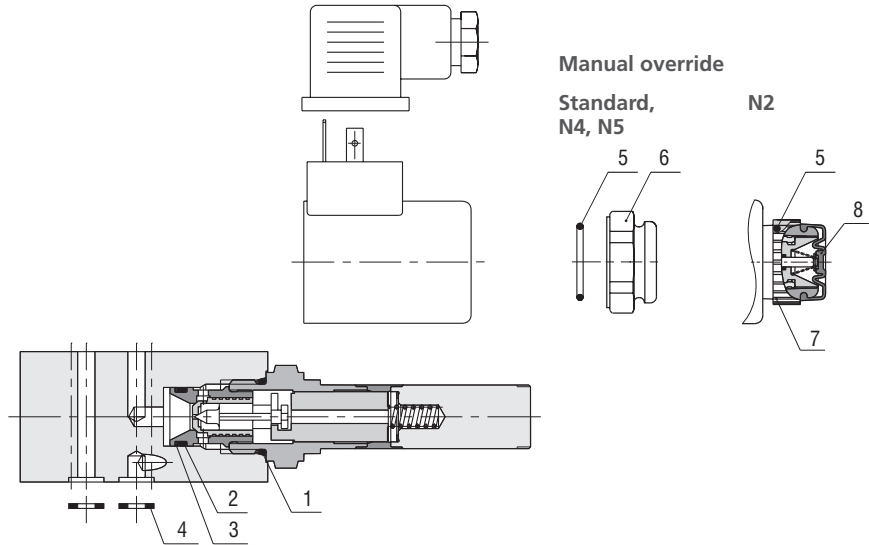
All dimensions are indicated in millimeters [mm].

**1 Directional Control Valves and Poppet Valves**

Product (Datasheet): **ROE3-042S5(S6) (4055), ROE3-062S2 (4022), ROE3-042S5(S6)M (4073), ROE3-062S2M (4072)**

**Valve size 04, 06**

- 1 - O-ring
- 2 - O-ring
- 3 - Back-up ring
- 4 - Square ring (NBR), O-ring (FPM)
- 5 - O-ring
- 6 - Retaining nut
- 7 - Retaining nut
- 8 - Rubber boot



Position	ROE3-042S5(S6), ROE3-062S2, ROE3-042S5(S6)M, ROE3-062S2M											
<b>1+2+3</b>	Seal Kit	Pos.	O-ring	Pcs	Pos.	O-ring	Pcs	Pos.	Back-up ring	Pcs	Ordering No.	
	NBR	<b>1</b>	19.4x2.1	1	<b>2</b>	14x1.78	1	<b>3</b>	14.73x17.43x1.1	2	15650200	
	FPM		19.4x2.1	1		14x1.78	1		14.73x17.43x1.1	2	16954700	
<b>Position</b>	<b>ROE3-042S5(S6)M, ROE3-062S2M</b>											
<b>4</b>	Seal Kit	Pos.	Square ring	Pcs	Pos.	O-ring	Pcs				Ordering No.	
size 04	NBR	<b>4</b>	7.65x1.68	4	-						20718400	
size 06			9.25x1.68	4	-						15650300	
size 04	FPM	-	-	-	<b>4</b>	7.65x1.78	4				22502600	
size 06			-	-	-	<b>4</b>	9.25x1.78	4				22944700
<b>Position</b>	<b>ROE3-042S5(S6), ROE3-042S5(S6)M</b>											
<b>5+6</b>	Nut Kit	Pos.	O-ring	Pcs	Pos.	Retaining nut	Pcs				Ordering No.	
	Standard, N4	<b>5</b>	18x1.5	1	<b>6</b>	Plastic	1				15874500	
<b>5+7+8</b>	Nut Kit	Pos.	O-ring	Pcs	Pos.	Retaining nut	Pcs	Pos.	Rubber boot	Pcs	Ordering No.	
	N2	<b>5</b>	18x1.5	1	<b>7</b>	Plastic	1	<b>8</b>		1	15874800	
<b>Position</b>	<b>ROE3-062S2, ROE3-062S2M</b>											
<b>5+6</b>	Nut Kit	Pos.	O-ring	Pcs	Pos.	Retaining nut	Pcs				Ordering No.	
	Standard, N5	<b>5</b>	18x1.5	1	<b>6</b>	Plastic	1				15874500	

All dimensions are indicated in millimeters [mm].

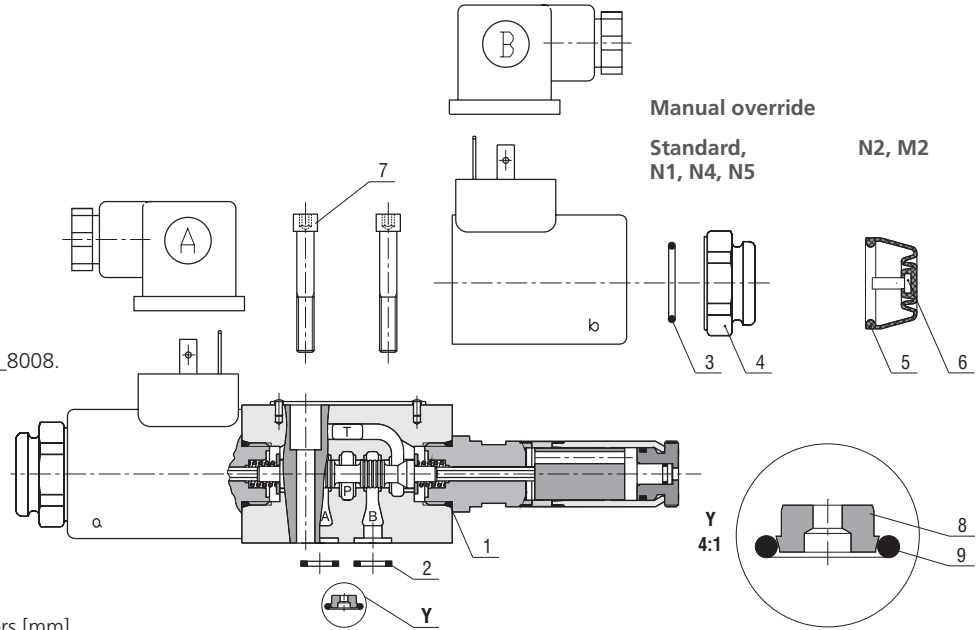
**1 Directional Control Valves and Poppet Valves**

Product (Datasheet): **RPEL1-04 (4037), RPEL2-06 (4056), RPEL1-10 (4046)**

**Valve size 04, 06**

- 1 - O-ring
- 2 - Square ring (NBR), O-ring (FPM)
- 3 - O-ring
- 4 - Retaining nut
- 5 - Rubber boot
- 6 - Actuating pin
- 7 - Mounting bolt
- 8 - Orifice in P port
- 9 - O-ring

For solenoid coil see datasheet C\_8007.  
For electrical connector see datasheet K\_8008.



All dimensions are indicated in millimeters [mm].

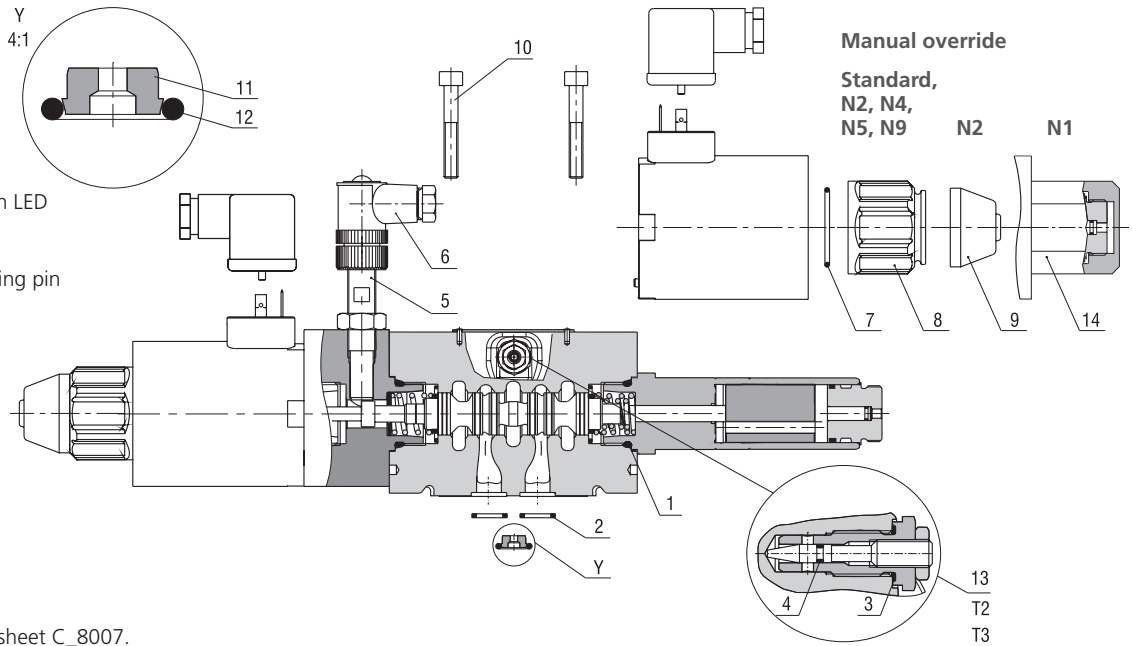
Position	RPEL1-04	Pos.	O-ring	Pcs	Pos.	Ring	Pcs	Ordering No.
1+2	Seal Kit	1	16x2	2	2	Square ring 7.65x1.68	4	15873800
	NBR		16x2	2		O-ring 7.5x1.8	4	15874400
3+4	Nut Kit	3	O-ring	Pcs	4	Retaining nut	Pcs	Ordering No.
	Standard, N5		13x2	1		Plastic	1	15691500
5+6	Kit	5	Rubber boot	Pcs	6	Actuating pin	Pcs	Ordering No.
	N2			1			1	29269100
7	Bolt Kit	Pos.	Bolt	Pcs			Pcs	Ordering No.
Mounting bolts for steel plates			7	Bolt M5x35 DIN 912-10.9			4	15874600
8+9	Kit	see Product (Datasheet):			RPE3-04 (4014)		Page 11	
Position	RPEL2-06	Pos.	O-ring	Pcs	Pos.	Ring	Pcs	Ordering No.
1+2	Seal Kit	1	17x1.8	2	2	Square ring 9.25x1.68	4	15845200
	NBR		17.17x1.78	2		O-ring 9.25x1.78	4	15845400
3+4	Nut Kit	3	O-ring	Pcs	4	Retaining nut	Pcs	Ordering No.
	Standard		18x1.5	1		Plastic	1	15874500
5+6	Kit	5	Rubber boot	Pcs	6	Actuating pin	Pcs	Ordering No.
	M2			1			1	24142800
7	Bolt Kit	Pos.	Bolt	Pcs			Pcs	Ordering No.
Mounting bolts for steel plates			7	Bolt M5x45			4	15845100
8+9	Kit	see Product (Datasheet):			RPE3-06 (4010)		Page 12	
Position	RPEL1-10	Pos.	O-ring	Pcs	Pos.	Ring	Pcs	Ordering No.
1+2	Seal Kit	1	23,81x2,62	2	2	12,42x1,68	5	23114300
	NBR		23,47x2,62	2		12,42x1,68	5	23114400
3+4	Nut Kit	3	O-ring	Pcs	4	Retaining nut	Pcs	Ordering No.
	Standard		22x2	1		Plastic	1	15844600
7	Bolt Kit	7	Bolt	Pcs		Plastic - closed	1	15844700
Mounting bolts for steel plates			7	Bolt M6x45		for studs see Datasheet 0020	4	20239000
8+9	Kit	see Product (Datasheet):			RPE4-10 (4039)		Page 15	

**1 Directional Control Valves and Poppet Valves**

Product (Datasheet): **RPE4-10 (4039), RPEW4-10 (4044)**

**Valve size 10**

- 1 - O-ring
- 2 - Square ring
- 3 - Seal
- 4 - Seal
- 5 - Sensor
- 6 - Connector  
of position sensor with LED
- 7 - O-ring
- 8 - Retaining nut (Plastic)
- 9 - Rubber boot + Actuating pin
- 10 - Mounting bolt
- 11 - Orifice in P port
- 12 - O-ring
- 13 - Soft-shift  
spool speed control  
with seal
- 14 - Retaining nut (Al)



For solenoid coil see datasheet C\_8007.  
For electrical connector see datasheet K\_8008.

Position	RPE4-10, RPEW4-10													
<b>1+2+3+4</b>	Seal Kit	Pos.	O-ring	Pcs	Pos.	Square ring	Pcs	Pos.	Seal for T2, T3	Pcs	Pos.	O-ring for T3	Pcs	Ordering No.
	NBR	<b>1</b>	23.81x2.62	2	<b>2</b>	12.42x1.68	5	<b>3</b>	8.4x11.9x1	1	<b>4</b>	1.8x1	1	15901000
	FPM		23.47x2.62	2		12.42x1.68	5		10DRV100084	1		1.78x1.02	1	15901100
<b>Position</b>	<b>RPE4-10</b>													
<b>5</b>	Sensor - model	Pos.								Pcs	Max. input voltage	Ordering No.		
	S1	<b>5</b>	normally-open sensor (210 bar)							1	10...30 VDC	18961900		
	S4		normally-closed sensor (210 bar)									31022300		
<b>Position</b>	<b>RPE4-10, RPEW4-10</b>													
<b>6</b>	Connector	Pos.								Pcs	Max. input voltage	Ordering No.		
	K02	<b>6</b>	connector of position sensor with LED							1	10...30 VDC	17364800		
<b>7+8</b>	Nut Kit	Pos.	O-ring	Pcs	Pos.	Retaining nut	Pcs					Ordering No.		
	Standard, N2, N4, N5, N9	<b>7</b>	30x2	1	<b>8</b>	Plastic	1					15900800		
<b>7+14</b>	Nut Kit	Pos.	O-ring	ks	Pos.	Retaining nut	Pcs					Ordering No.		
	N1	<b>7</b>	30x2	1	<b>14</b>	Aluminium	1					45332300		
<b>9</b>	Kit	Pos.								Pcs			Ordering No.	
	N2	<b>9</b>	Rubber boot + Actuating pin							1			15900900	
<b>10</b>	Bolt Kit	Pos.								Pcs			Ordering No.	
	Mounting bolts for steel plates	<b>10</b>	Bolt M6x45	4	for studs see Datasheet 0020						20239000			
<b>11+12</b>	Kit	Pos.	Orifice in P port	Pcs	Pos.	O-ring NBR	Pcs					Ordering No.		
Orifice in P port with NBR seal	<b>11</b>	<b>12</b>	Ø0.5	1	12.42x1.78	1					21670800			
			Ø1.2	1							15848400			
			Ø1.5	1							15848700			
			Ø2.0	1							17451200			
			Ø2.5	1							15848500			
			Ø3.5	1							16656400			
Ø4.0	1					15848600								
<b>11+12</b>	Kit	Pos.	Orifice in P port	Pcs	Pos.	O-ring FPM	Pcs					Ordering No.		
Orifice in P port with FPM seal	<b>11</b>	<b>12</b>	Ø0.5	1	12.42x1.78	1					On request			
			Ø1.2	1										
			Ø1.5	1										
			Ø2.0	1										
			Ø2.5	1										
			Ø3.5	1										
Ø4.0	1													
<b>13</b>	Kit	Pos.	Soft shift with seal				Pcs					Ordering No.		
Soft shift	T2	<b>13</b>	orifice Ø0.6 mm (0.02 inch) in T line bridge				1					15901200		
	T3		adjustable needle valve in T line bridge				1					15901300		

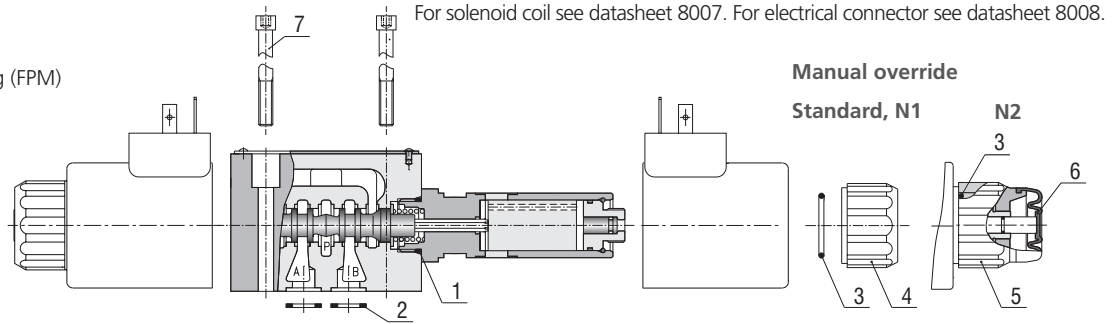
All dimensions are indicated in millimeters [mm].

1 Directional Control Valves and Poppet Valves

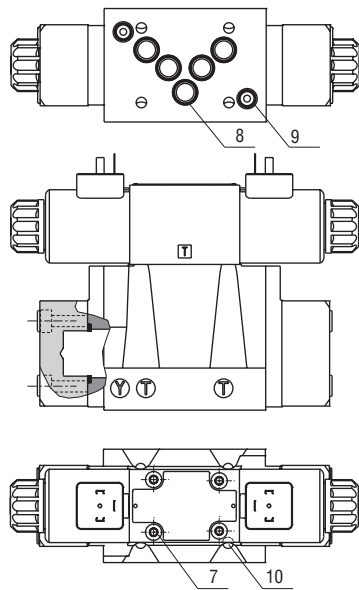
Product (Datasheet): **RNEH1-10 (4075), RNEH5-16 (4023), RNEH4-25 (4024)**

**RPE3-06**

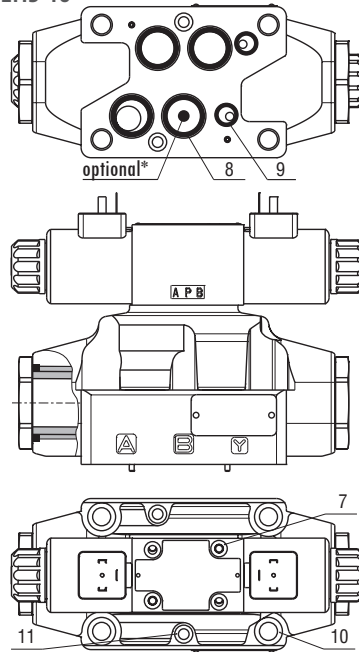
- 1 - O-ring
- 2 - Square ring (NBR), O-ring (FPM)
- 3 - O-ring
- 4 - Retaining nut
- 5 - Retaining nut
- 6 - Rubber boot + Actuating pin
- 7 - Mounting bolt
- 8, 9 - Seal
- 10, 11 - Bolts



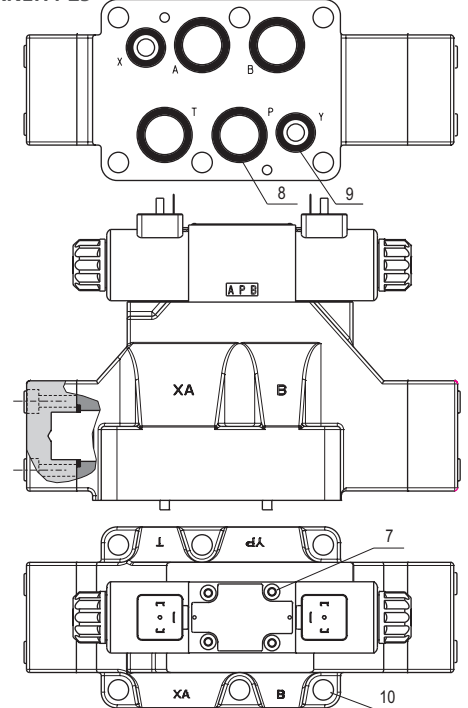
**RNEH1-10**



**RNEH5-16**



**RNEH4-25**



All dimensions are indicated in millimeters [mm].

Position	RPE3-06	Pos.	O-ring	Pcs	Pos.	Ring	Pcs	Ordering No.	
1+2	Seal Kit	1	O-ring	2	2	Square ring 9.25x1.68	4	15845200	
			NBR	17x1.8	2	O-ring 9.25x1.78	4	15845400	
			FPM	17.17x1.78	2				
3+4	Nut Kit	3	O-ring	1	4	Plastic	1	15844600	
			Standard N1	22x2	1	4	Plastic	1	15844700
3+5+6	Nut Kit	3	O-ring	1	5	Plastic	1	15844800	
			N2	22x2	1			6	1
7	Bolt Kit							Ordering No.	
Mounting bolts for steel plates		7	Bolt M5x45				4	for studs see Datasheet 0020	15845100
Position	RNEH1-10	Pos.	O-ring	Pcs	Pos.	O-ring	Pcs	Ordering No.	
8+9	Seal Kit	8	O-ring	5	9	9.25x1.78	2	40075900	
			NBR	12.42x1.78	5	-	2	On request	
			FPM	-	5				
10	Bolts							Ordering No.	
Mounting bolts		10	Bolt M6x35				4	Mounting bolts for steel plates are not available	
Position	RNEH5-16	Pos.	O-ring	Pcs	Pos.	O-ring	Pcs	Ordering No.	
8+9	Seal Kit	8	O-ring	4	9	10.82x1.78	2	40076000	
			NBR	22.22x2.62	4	-	2	On request	
			FPM	-	4				
10+11	Bolts							Ordering No.	
Mounting bolts		10	Bolt M10x60	4	11	Bolt M6x50	2	Mounting bolts for steel plates are not available	
Position	RNEH4-25	Pos.	O-ring	Pcs	Pos.	O-ring	Pcs	Ordering No.	
8+9	Seal Kit	8	O-ring	4	9	20.29x2.62	2	40076200	
			NBR	29.82x2.62	4	-	2	On request	
			FPM	-	4				
10	Bolts							Ordering No.	
Mounting bolts		10	Bolt M12x60				6	Mounting bolts for steel plates are not available	31950200

\*Optional Backpressure Check valve C3

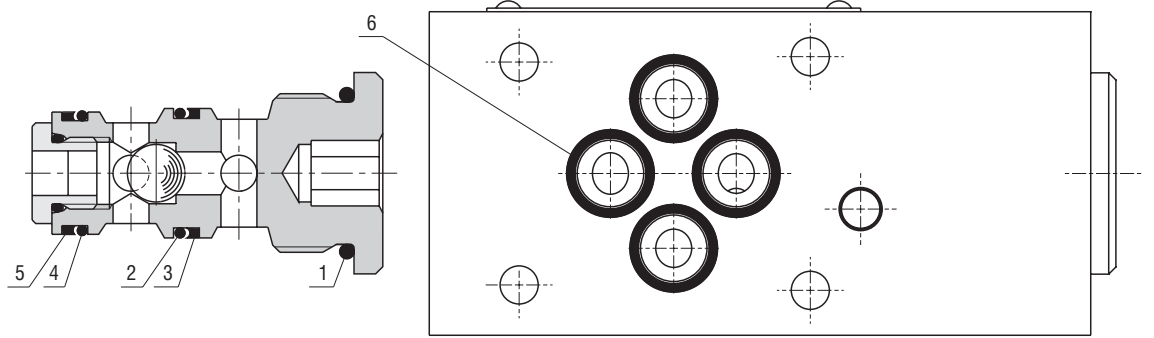


**2 Check Valves**

Product (Datasheet): **LV1-043 (5008), LV2-043 (5028), LV1-063/S (5015), LV1-063/M (5030)**

**Valve size 04, 06**

- 1 - O-ring
- 2 - O-ring
- 3 - Back-up ring
- 4 - O-ring
- 5 - Back-up ring
- 6 - Square ring (NBR),  
O-ring (FPM)



Pos.	LV1-043																
2+3	Seal Kit				Pos.	O-ring	Pcs	Pos.	Back-up ring (PT)	Pcs			Ordering No.				
	NBR				2	6x1	1	3	8.5x6.8x1	1			40110200				
	FPM					6x1	1		8.5x6.8x1	1			16755700				
Pos.	LV2-043																
2-5	Seal Kit				Pos.	O-ring	Pcs	Pos.	Back-up ring (PT)	Pcs	Pos.	O-ring	Pcs	Pos.	Back-up ring (PT)	Pcs	Ordering No.
	NBR				2	6.07x1.78	1	3	6.6x9.5x1.4	1	4	6x1.5	1	5	6x8.5x1	1	30708000
	FPM					6.07x1.78	1		6.6x9.5x1.4	1		6x1.5	1		6x8.5x1	1	30707900
Pos.	LV1-063/S, LV1-063/M																
1-5	Seal Kit	Pos.	O-ring	Pcs	Pos.	O-ring	Pcs	Pos.	Back-up ring (PT)	Pcs				Ordering No.			
	NBR	1	19.4x2.1	1	2,4	14x1.78	2	3,5	14.73x17.43x1.1	2				22752700			
	FPM		19.4x2.1	1		14x1.78	2		14.73x17.43x1.1	2				31920800			
Pos.	LV1-063/M																
6	Seal Kit				Pos.	Ring					Pcs		Ordering No.				
	NBR				6	Square ring 9.25x1.68					4		15650300				
	FPM					O-ring 9.25x1.78					4		22944700				

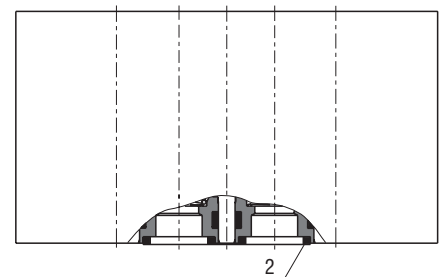
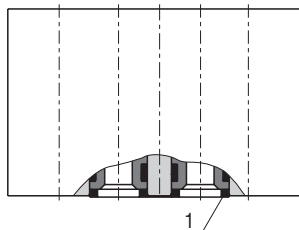
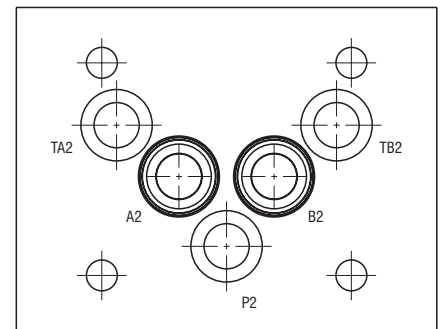
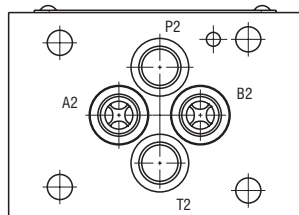
Product (Datasheet): **MVJ3-06 (5018), MVJ3-10 (5020)**

**Valve size 06, 10**

- 1 - Square ring (NBR), O-ring (FPM)
- 2 - Square ring

**Valve size 06**

**Valve size 10**



Position	MVJ3-06				
1	Seal Kit	Pos.	Ring	Pcs	Ordering No.
	NBR	1	Square ring 9.25x1.68	4	15650300
	FPM		O-ring 9.25x1.78	4	22944700
Position	MVJ3-10				
2	Seal Kit	Pos.	Square ring	Pcs	Ordering No.
	NBR	4	12.42x1.68	5	15991600
	FPM		12.42x1.68	5	40066700

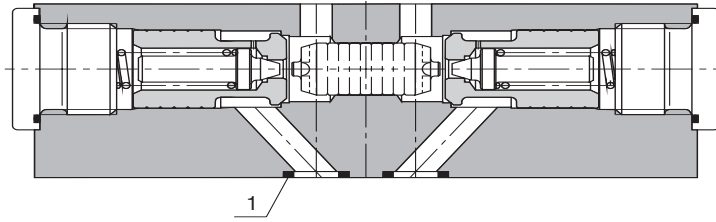
All dimensions are indicated in millimeters [mm].

**2 Check Valves**

Product (Datasheet): **VJR1-04/M (5023), VJR2-06/M (5024), 2RJV1-06/M (5021), VJR3-10/M (5035)**

Valve size 04, 06, 10

1 - Square ring (NBR), O-ring (FPM)

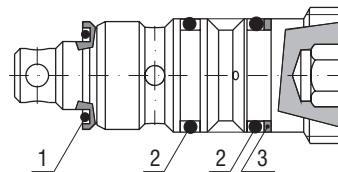


Position	VJR1-04/M										
1	Seal Kit	Pos.	Ring		Pcs						Ordering No.
	NBR	1	Square ring 7.65x1.68		4						20718400
	FPM		O-ring 7.65x1.78		4						22502600
Position	VJR2-06/M, 2RJV1-06/M										
1	Seal Kit	Pos.	Ring		Pcs						Ordering No.
	NBR	1	Square ring 9.25x1.68		4						15650300
	FPM		O-ring 9.25x1.78		4						22944700
Position	VJR3-10/M										
1	Seal Kit	Pos.	Square ring		Pcs						Ordering No.
	NBR	1	12.42x1.68		5						15991600
	FPM		12.42x1.68		5						40066700

Product (Datasheet): **RJV1-05 (5111)**

Valve size 05

1 - O-ring  
2 - O-ring  
3 - Back-up ring



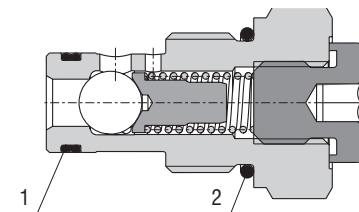
Position	RJV1-05										
1+2+3	Seal Kit	Pos.	O-ring	Pcs	Pos.	O-ring	Pcs	Pos.	Back-up ring	Pcs	Ordering No.
	NBR	1	12.42x1.78	1	2	15.08x2.62	2	3	14.66x19.02x1.14 (NBR)	1	15969700
	FPM		12.42x1.78	1	2	15.08x2.62	2	3	14.66x19.02x1.14 (PT)	1	22806000

Product (Datasheet): **SC1F-A2 (5010), SC1F-B2 (5017), SC1F-C2 (5036), SC1F-A3 (5016), SH1F-A3 (5029), SQ1F-N3 (5075), SC5H-BP3 (5037), SC5H-CP3 (5039)**

Cavity A2, B2, C2, A3

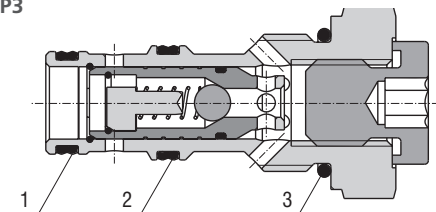
SC1F-A2  
SC1F-B2  
SC1F-C2  
SC1F-A3

1 - O-ring  
2 - Dualseal



Cavity A3, N3, BP3, CP3

SH1F-A3  
SQ1F-N3  
SC5H-BP3  
SC5H-CP3  
1 - Dualseal  
2 - Dualseal  
3 - O-ring



Position	SC1F-A2													
1+2	Seal Kit	Pos.	Dualseal PU		Pcs	Pos.	O-ring NBR		Pcs	Pos.	O-ring - FPM	Pcs	Ordering No.	
	NBR	1	10.3x12.7x3.1		1	2	17x1.8		1	-	-	-	20776700	
	FPM		10.3x12.7x3.1		1	-	-	-	2	17.17x1.78		1	17014300	
1+2	SC1F-B2													
	NBR	1	13.47x15.87x3.1		1	2	19.4x2.1		1	-	-	-	18960400	
	FPM		13.47x15.87x3.1		1	-	-	-	2	19.4x2.1		1	18960500	
1+2	SC1F-C2													
	NBR	1	19.62x22.22x3.8		1	2	24x2,5		1	-	-	-	40958200	
	FPM		19.62x22.22x3.8		1	-	-	-	2	24x2,5		1	40958400	
1+2	SC1F-A3													
	NBR	1	11.87x14.27x3.1		1	2	17x1.8		1	-	-	-	15661700	
	FPM		11.87x14.27x3.1		1	-	-	-	2	17.17x1.78		1	20777200	
Position	SH1F-A3													
1+2+3	Seal Kit	Pos.	Dualseal PU		Pcs	Pos.	Dualseal PU		Pcs	Pos.	O-ring	Pcs	Ordering No.	
	NBR	1	11.87x14.27x3.1		1	2	13.47x15.87x3.1		1	3	17x1.8 (NBR)	1	15661700	
	FPM		11.87x14.27x3.1		1	2	13.47x15.87x3.1		1	3	17.17x1.78 (FPM)	1	20777200	
1+2+3	SQ1F-N3													
	NBR	1	7.87x5.17x2.5		1	2	8.66x5.96x2.5		1	3	8.92x1.83 NBR 90		1	45480300
1+2+3	SC5H-BP3													
	NBR	1	15.07x17.47x3.1		1	2	16.65x19.05x3.1		1	3	19.4x2.1 NBR 70		1	40771600
	FPM		15.07x17.47x3.1		1		16.65x19.05x3.1		1		119.4x2.1 V 80		1	40768400
1+2+3	SC5H-CP3													
	NBR	1	19.62x22.22x3.8		1	2	21.2x23.8x3.8		1	3	24x2.5 NBR 90		1	41676200
	FPM		19.62x22.22x3.8		1		21.2x23.8x3.8		1		24x2.5 V 90		1	41676500

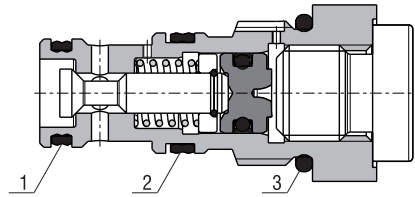
All dimensions are indicated in millimeters [mm].

## 2 Check Valves

Product (Datasheet): **SC5H-I3/S (5045)**

### Cavity I3

- 1 - Dualseal
- 2 - Dualseal
- 3 - O-ring

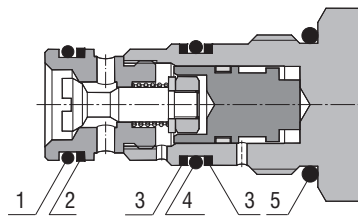


Position	SC5H-I3/S													
<b>1+2+3</b>	Seal Kit	Pos.	Dualseal PU		Pcs	Pos.	Dualseal PU		Pcs	Pos.	O-ring		Pcs	Ordering No.
	NBR	<b>1</b>	10,2X13X2,5 PU 93		1	<b>2</b>	12,6X15X3 PU 93		1	<b>3</b>	15.4x2.1 NBR 90 BK		1	44817600
	FPM	<b>1</b>	10,2X13X2,5 PU 93		1	<b>2</b>	12,6X15X3 PU 93		1	<b>3</b>	15.4x2.1 FPM 90 BN		1	45438800

Product (Datasheet): **SC5H-Q3/I (5217), SC5H-R3/I (5218), SC5H-S3/I (5220), SCD5H-R3/I (5219)**

### Cavity Q3, R3, S3

- 1 - O-ring
- 2 - Back-up ring
- 3 - Back-up ring
- 4 - O-ring
- 5 - O-ring

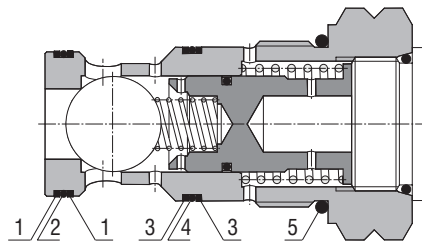


Position	SC5H-Q3/I, SC5H-R3/I, SC5H-S3/I																
<b>1+2+3+4+5</b>	Seal Kit	Pos.	O-ring	Pcs	Pos.	Back-up ring	Pcs	Pos.	Back-up ring	Pcs	Pos.	O-ring	Pcs	Pos.	O-ring	Pcs	Ordering No.
		<b>1</b>		1	<b>2</b>		1	<b>3</b>		2	<b>4</b>		1	<b>5</b>		1	On request

Product (Datasheet): **SCC5H-Q3/I (5221), SCC5H-S3/I (5222)**

### Cavity Q3, S3

- 1 - Dualseal
- 2 - O-ring
- 3 - Dualseal
- 4 - O-ring
- 5 - O-ring

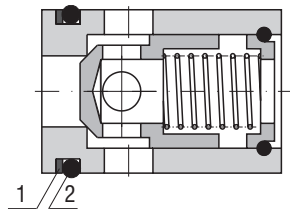


Position	SCC5H-Q3/I, SCC5H-S3/I																
<b>1+2+3+4+5</b>	Seal Kit	Pos.	Back-up ring	Pcs	Pos.	O-ring	Pcs	Pos.	Back-up ring	Pcs	Pos.	O-ring	Pcs	Pos.	O-ring	Pcs	Ordering No.
		<b>1</b>		2	<b>2</b>		1	<b>3</b>		2	<b>4</b>		1	<b>5</b>		1	On request

Product (Datasheet): **VJ3 (5009), VJS3 (5019)**

Valve size 06, 10, 16, 20  
Model 02, 03

- 1 - Back-up ring
- 2 - O-ring



Position	VJ3, VJS3									
<b>1+2</b>	Seal Kit	Pos.	Back-up ring		Pcs	Pos.	O-ring		Pcs	Ordering No.
06	NBR	<b>1</b>	14.66x19.02x1.14		1	<b>2</b>	15.08x2.62		1	22701100
10			19.43x23.79x1.14				20x2.65			15954600
16			28.98x34.98x1.02				28x3.55			15954700
20			33.88x39.88x1.02				32.92x3.53			22701400

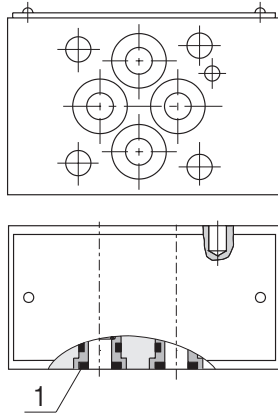
All dimensions are indicated in millimeters [mm].

**2 Check Valves**

Product (Datasheet): **VJO1-04/M (5012), VJO1-06/S (5004), VJO1-10/S (5307)**

**Valve size 04 VJO1-04/M**

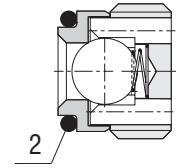
1 - Square ring (NBR),  
O-ring (FPM)



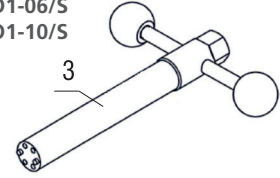
**Valve size 06, 10**

2 - O-ring

**VJO1-06/S\*  
VJO1-10/S\***



**VJO1-06/S  
VJO1-10/S**



3 - Tool for screwing  
of the valve into cavity

Position	VJO1-04/M		Pos.	Ring	Pcs	Ordering No.
1	Seal Kit		1	Square ring 6.07x1.68	4	15946100
	NBR			O-ring 6.07x1.78	4	22662600
	FPM					
Position	VJO1-06/S		Pos.	O-ring	Pcs	Ordering No.
2	Seal Kit		2	8x1.5	1	16755400
	NBR	VJO1-06/S*-1		9x1	1	15949700
		VJO1-06/S*-2		8x1.5	1	16969800
	FPM	VJO1-06/S*-1		9x1	1	15949800
VJO1-06/S*-2						
3	Tool for screwing of the valve		3		Pcs	Ordering No.
	Model 01	VJO1-06/S*-1			1	15949500
	Model 02	VJO1-06/S*-2			1	28395600
Position	VJO1-10/S		Pos.	O-ring	Pcs	Ordering No.
2	Seal Kit		2	11.4x2.1	1	20141900
	NBR			11.4x2.1	1	On request
	FPM					
3	Tool for screwing of the valve		3		Pcs	Ordering No.
					1	43844300

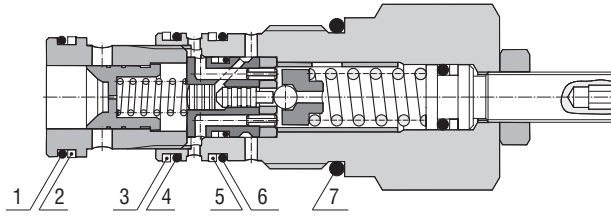
All dimensions are indicated in millimeters [mm].

**3 Pressure Control Valves**

Product (Datasheet): **SU6A-U3/I** (5224), **SUD6A-V4/I** (5225), **SUD6A-U4/I** (5226)

**Cavity U3, V4, U4**

- 1 - O-ring
- 2 - Back-up ring
- 3 - Back-up ring
- 4 - O-ring
- 5 - Back-up ring
- 6 - O-ring
- 7 - O-ring



Position	SU6A-U3/I									
1+2+5+6+7	Seal Kit	Pos.	O-ring	Pcs	Pos.	Back-up ring	Pcs	Ordering No.		
		1, 6, 7		3	2, 5		2	On request		
Position	SUD6A-V4/I, SUD6A-U4/I									
1+2+3+4+5+6+7	Seal Kit	Pos.	O-ring	Pcs	Pos.	Back-up ring	Pcs	Ordering No.		
		1, 4, 6, 7		4	2, 3, 5		3	On request		

Product (Datasheet): **VPP2-04/S** (5093), **VPP2-04/M(R)** (5094)

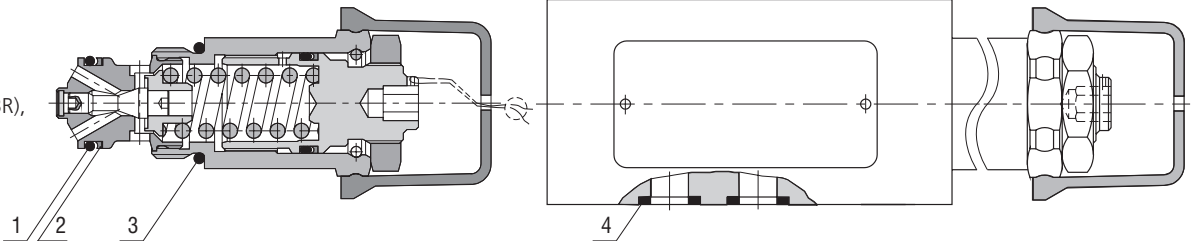
**Valve size 04**

**VPP2-04/S, VPP2-04/M(R)**

**Modular plate size 04, 06**

**VPP2-04/M(R)**

- 1 - O-ring
- 2 - Back-up ring
- 3 - O-ring
- 4 - Square ring (NBR), O-ring (FPM)



Pos.	VPP2-04/S, VPP2-04/M(R)											
1+2+3	Seal Kit	Pos.	O-ring	Pcs	Pos.	Back-up ring	Pcs	Pos.	O-ring	Pcs	Ordering No.	
	NBR	1	14x1.78	1	2	14.73x17.43x1.14	1	3	19.4x2.1	1	15650200	
	FPM		14x1.78	1		14.73x17.43x1.14	1		19.4x2.1	1	16954700	
Pos.	VPP2-04/M(R)*04											
4	Seal Kit					Pos.	Ring	Pcs	Ordering No.			
	NBR					4	Square ring 7.65x1.68	4	20718400			
	FPM						O-ring 7.65x1.78	4	22502600			
Pos.	VPP2-04/M(R)*06											
4	Seal Kit					Pos.	Ring	Pcs	Ordering No.			
	NBR					4	Square ring 9.25x1.68	4	15650300			
	FPM						O-ring 9.25x1.78	4	22944700			

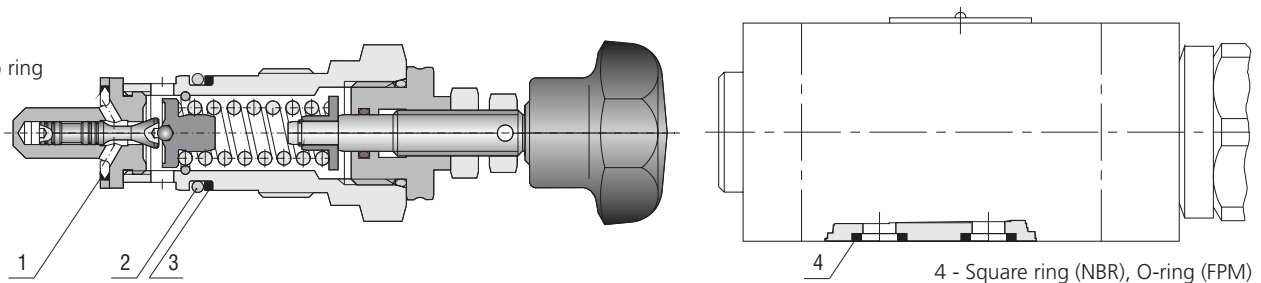
Product (Datasheet): **VPP2-06** (5062), **VPP2-06-SV/xx-CE1017** (5066)

**Valve size 06**

**VPP2-06**

**VPP2-06\*P**

- 1 - U-seal
- 2 - O-ring
- 3 - Back-up ring



Pos.	VPP2-06, VPP2-06-SV/xx-CE1017											
1+2+3	Seal Kit	Pos.	U-seal	Pcs	Pos.	O-ring	Pcs	Pos.	Back-up ring	Pcs	Ordering No.	
	NBR	1	17.4x24x1.5	1	2	20x2.65	1	3	19.43x23.79x1.14	1	16757100	
	FPM		17.4x24x1.5	1		20.29x2.62	1		19.43x23.79x1.14	1	40112100	
Pos.	VPP2-06*P											
4	Seal Kit					Pos.	Ring	Pcs	Ordering No.			
	NBR					4	Square ring 9.25x1.68	2	15650300			
	FPM						O-ring 9.25x1.78	2	22944700			

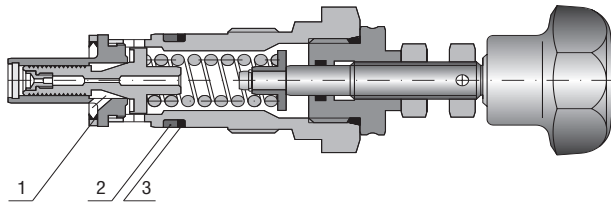
All dimensions are indicated in millimeters [mm].

**3 Pressure Control Valves**

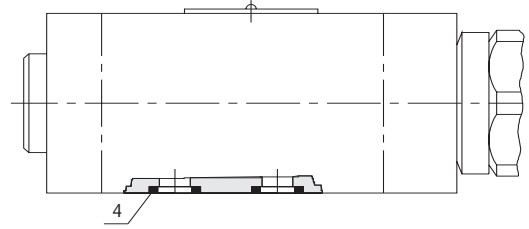
Product (Datasheet): **VPP1-06(08,10) (5061)**

Valve size 06, 08, 10 **VPP1-06(08,10)**

- 1 - U-seal
- 2 - O-ring
- 3 - Back-up ring



**VPP1-06\*P**



4 - Square ring (NBR), O-ring (FPM)

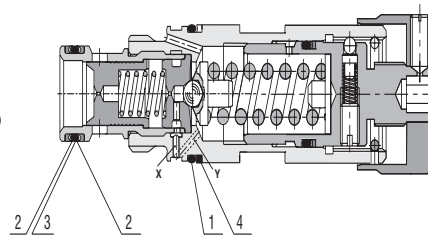
Pos. <b>VPP1-06</b>											
1+2+3	Seal Kit	Pos.	U-seal	Pcs	Pos.	O-ring	Pcs	Pos.	Back-up ring	Pcs	Ordering No.
	NBR	1	17.4x24x1.5	1	2	20x2.65	1	3	19.43x23.79x1.14	1	16757100
	FPM		17.4x24x1.5	1		20.29x2.62	1		19.43x23.79x1.14	1	40112100
Pos. <b>VPP1-08, 10</b>											
1+2+3	Seal Kit	Pos.	U-seal	Pcs	Pos.	O-ring	Pcs	Pos.	Back-up ring	Pcs	Ordering No.
	NBR	1	24.7x32x2	1	2	26.64x2.62	1	3	27.46x31.82x1.1	1	15972200
	FPM		24.7x32x2	1		26.64x2.62	1		27.46x31.82x1.1	1	15972000
Pos. <b>VPP1-06*P</b>											
4	Seal Kit	Pos.	Ring	Pcs	Ordering No.						
	NBR	4	Square ring 9.25x1.68	2	15650300						
	FPM		O-ring 9.25x1.78	2	22944700						
Pos. <b>VPP1-10*P</b>											
4	Seal Kit	Pos.	Ring	Pcs	Ordering No.						
	NBR	4	12.42x1.68	2	15991600						
	FPM		12.42x1.68	2	40066700						

Product (Datasheet): **VPN1-06/S, SX, SY (5161), VPN1-06/M(R) (5160)**

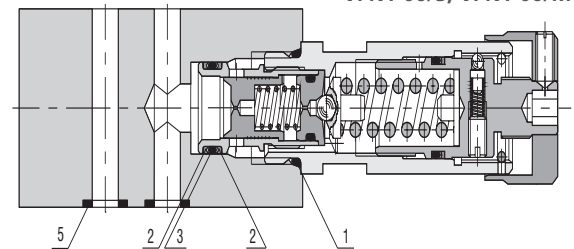
Valve size 06

**VPN1-06/SX, VPN1-06/SY**

- 1 - O-ring
- 2 - Back-up ring
- 3 - O-ring
- 4 - Back-up ring
- 5 - Square ring (NBR), O-ring (FPM)



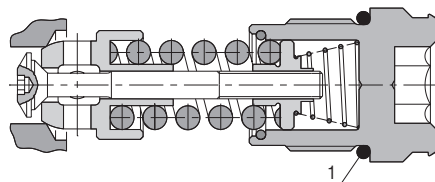
**VPN1-06/S, VPN1-06/M**



Pos. <b>VPN1-06/S</b>														
1+2+3	Seal Kit	Pos.	O-ring	Pcs	Pos.	Back-up ring	Pcs	Pos.	O-ring	Pcs	Ordering No.			
	NBR	1	19.4x2.1	1	2	14.73x17.43x1.14	2	3	14x1.78	1	22752700			
	FPM		19.4x2.1	1		14.73x17.43x1.14	2		14x1.78	1	31920800			
Pos. <b>VPN1-06/SX, SY</b>														
1 - 4	Seal Kit	Pos.	O-ring	Pcs	Pos.	Back-up ring	Pcs	Pos.	O-ring	Pcs	Pos.	Back-up ring	Pcs	Ordering No.
	NBR	1	21.95x1.78	1	2	14.73x17.43x1.14	2	3	14x1.78	1	4	22.68x25.38x1.14	1	22944000
	FPM		21.82x1.78	1		14.73x17.43x1.14	2		14x1.78	1		22.68x25.38x1.14	1	22943900
Pos. <b>VPN1-06/M(R)</b>														
5	Seal Kit	Pos.	Ring	Pcs	Ordering No.									
	NBR	5	Square ring 9.25x1.68	4	15650300									
	FPM		O-Ring 9.25x1.78	4	22944700									

Product (Datasheet): **DBV3 (5092)**

- 1 - O-ring



Position	DBV3	Pos.	O-ring	Pcs	Ordering No.
1	Seal				
	NBR	1	21.95x1.78	1	20146100
	FPM		21.95x1.78	1	30349500

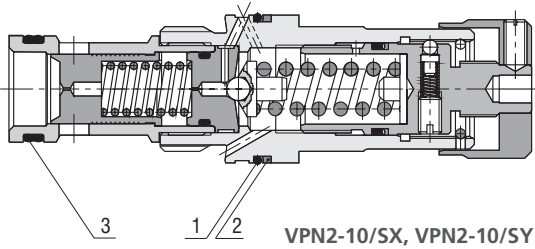
All dimensions are indicated in millimeters [mm].

**3 Pressure Control Valves**

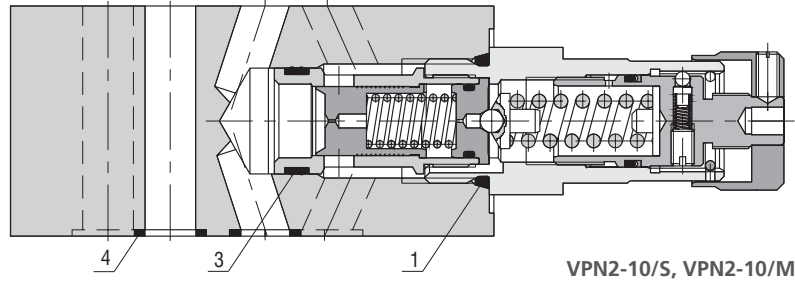
Product (Datasheet): **VPN2-10/S (5163), VPN2-10/M(R) (5164)**

**Valve size 10**

- 1 - O-ring
- 2 - Back-up ring
- 3 - Dualseal
- 4 - Square ring



VPN2-10/SX, VPN2-10/SY



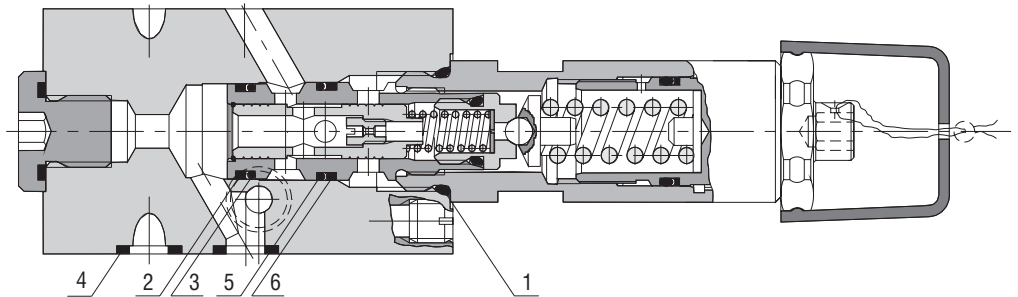
VPN2-10/S, VPN2-10/M

Pos. VPN2-10/S											
1+3	Seal Kit	Pos.	O-ring	Pcs		Pos.	Dualseal PU	Pcs	Ordering No.		
	NBR	1	23.47x2.95	1		3	19.6x23x4.4	1	15991500		
	FPM		23.47x2.95	1			19.6x23x4.4	1	22943400		
Pos. VPN2-10/SX, VPN2-10/SY											
1+2+3	Seal Kit	Pos.	O-ring	Pcs	Pos.	Back-up ring	Pcs	Pos.	Dualseal PU	Pcs	Ordering No.
	NBR	1	28.3x1.78	1	2	29.03x31.73x1.14	1	3	19.6x23x4.4	1	22943500
	FPM		28.3x1.78	1		29.03x31.73x1.14	1		19.6x23x4.4	1	22943600
Pos. VPN2-10/M											
4	Seal Kit					Pos.	Square ring	Pcs	Ordering No.		
	NBR					4	12.42x1.68	5	15991600		
	FPM						12.42x1.68	5	40066700		

Product (Datasheet): **VRN2-06/S (5153), VRN2-06/M (5155), VRN2-10/S (5154), VRN2-10/M (5156)**

**Valve size 06, 10**

- 1 - O-ring
- 2 - Back-up ring
- 3 - O-ring
- 4 - Square ring, O-ring



Pos. VRN2-06/S, VRN2-06/M											
1+2+3	Seal Kit	Pos.	O-ring	Pcs	Pos.	Back-up ring	Pcs	Pos.	O-ring	Pcs	Ordering No.
	NBR	1	19.4x2.1	1	2	14.73x17.43x1.14	2	3	14x1.78	2	22752700
	FPM		19.4x2.1	1		14.73x17.43x1.14	2		14x1.78	2	31920800
Pos. VRN2-06/M											
4	Seal Kit				Pos.	Kroužek	Pcs				Ordering No.
	NBR				4	Square ring 9.25x1.68	4				15650300
	FPM					O-ring 9.25x1.78	4				22944700
Pos. VRN2-10/S, VRN2-10/M											
1 - 6	Seal Kit	Pos.	O-ring	Pcs	Pos.	Back-up ring	Pcs	Pos.	O-ring	Pcs	Ordering No.
	NBR	1	23.47x2.95	1	2	17.91x20.61x1.14	1	3	17x1,8	1	22916600
	NBR				5	19.51x22.21x1.14	1	6	18.77x1.78	1	
	FPM	1	23.47x2.95	1	2	17.91x20.61x1.14	1	3	17.17x1.78	1	22916700
	FPM				5	19.51x22.21x1.14	1	6	18.77x1.78	1	
Pos. VRN2-10/M											
4	Seal Kit				Pos.	Square ring	Pcs				Ordering No.
	NBR				4	12.42x1.68	5				15991600
	FPM					12.42x1.68	5				40066700

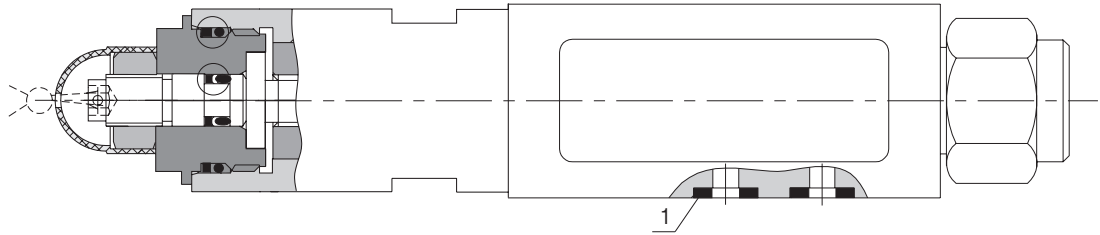
All dimensions are indicated in millimeters [mm].

**3 Pressure Control Valves**

Product (Datasheet): **VRP2-04 (5142), VRP2-06 (5145)**

**Valve size 04, 06**

1 - Square ring (NBR),  
O-ring (FPM)

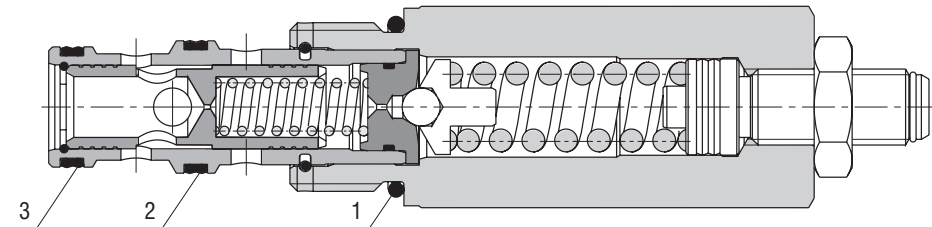


Position	VRP2-04									
1	Seal Kit			Pos.	Ring			Pcs	Ordering No.	
	NBR			1	Square ring 7.65x1.68			4	20718400	
	FPM				O-ring 7.65x1.78			4	22502600	
Position	VRP2-06									
1	Seal Kit			Pos.	Ring			Pcs	Ordering No.	
	NBR			1	Square ring 9.25x1.68			4	15650300	
	FPM				O-ring 9.25x1.78			4	22944700	

Product (Datasheet): **SS4A-A3 (5049), SP2A-A3 (5143), SP2A-B3 (5146), SP4A-B3 (5144), SS3A-BP3 (5047)**

**Cavity A3, B3, BP3**

1 - O-ring  
2, 3 Dualseal

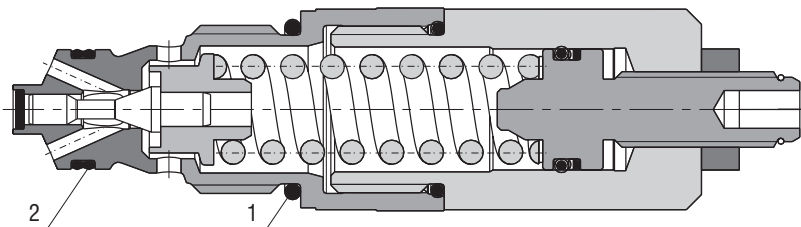


Position	SS4A-A3, SP2A-A3											
1+2+3	Seal Kit		Pos.	Dualseal PU	Pcs	Pos.	O-ring NBR	Pcs	Pos.	O-ring Viton - FPM	Pcs	Ordering No.
	NBR		3	11.87x14.27x3.1	1	1	17x1.8	1	-	-	-	15661700
	FPM		3	11.87x14.27x3.1	1	-	-	-	1	17.17x1.78	1	20777200
			2	13.47x15.87x3.1	1							
			3	13.47x15.87x3.1	1							
			2	13.47x15.87x3.1	1							
Position	SP2A-B3, SP4A-B3											
1+2+3	Seal Kit		Pos.	Dualseal PU	Pcs	Pos.	O-ring NBR	Pcs	Pos.	O-ring Viton - FPM	Pcs	Ordering No.
	NBR		3	13.47x15.87x3.1	1	1	19.4x2.1	1	-	-	-	18960700
	FPM		3	13.47x15.87x3.1	1	-	-	-	1	19.4x2.1	1	18960600
			2	15.07x17.47x3.1	1							
			3	15.07x17.47x3.1	1							
			2	15.07x17.47x3.1	1							
Position	SS3A-BP3											
1+2+3	Seal Kit		Pos.	Dualseal PU	Pcs	Pos.	O-ring NBR	Pcs	Pos.	O-ring Viton - FPM	Pcs	Ordering No.
	NBR		3	15.07x17.47x3.1	1	1	19.4x2.1	1	-	-	-	40771600
	FPM		3	15.07x17.47x3.1	1	-	-	-	1	19.4x2.1	1	40768400
			2	16.65x19.05x3.1	1							
			3	16.65x19.05x3.1	1							
			2	16.65x19.05x3.1	1							

Product (Datasheet): **SR1A-A2 (5063), SR1A-B2 (5064), SR1A-B2\*CE1017 (5084), SR4A-B2 (5065), SR4E2-B2 (5068)**

**Cavity A2, B2**

1 - O-ring  
2 - Dualseal



Position	SR1A-A2											
1+2	Seal Kit		Pos.	Dualseal PU	Pcs	Pos.	O-ring NBR	Pcs	Pos.	O-ring Viton - FPM	Pcs	Ordering No.
	NBR		2	10.3x12.7x3.1	1	1	17x1.8	1	-	-	-	20776700
	FPM		2	10.3x12.7x3.1	1	-	-	-	1	17.17x1.78	1	17014300
Position	SR1A-B2, SR1A-B2*CE1017, SR4A-B2, SR4E2-B2											
1+2	Seal Kit		Pos.	Dualseal PU	Pcs	Pos.	O-ring NBR	Pcs	Pos.	O-ring Viton - FPM	Pcs	Ordering No.
	NBR		2	13.47x15.87x3.1	1	1	19.4x2.1	1	-	-	-	18960400
	FPM		2	13.47x15.87x3.1	1	-	-	-	1	19.4x2.1	1	18960500

All dimensions are indicated in millimeters [mm].

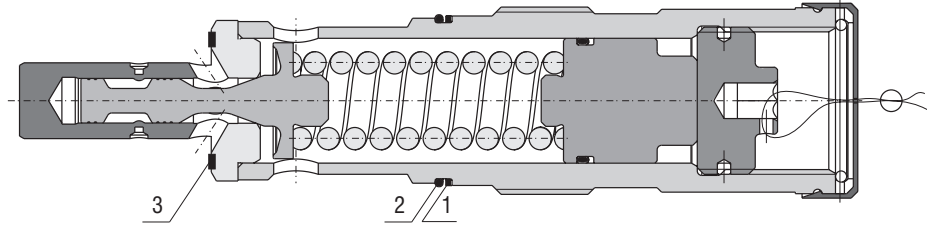


**3 Pressure Control Valves**

Product (Datasheet): **VPP-R-16(25)** (5300), **VPP-R-16-xx-L-CE1017** (5095)

**Valve size 16, 25**

- 1 - Back-up ring
- 2 - O-ring
- 3 - Seal

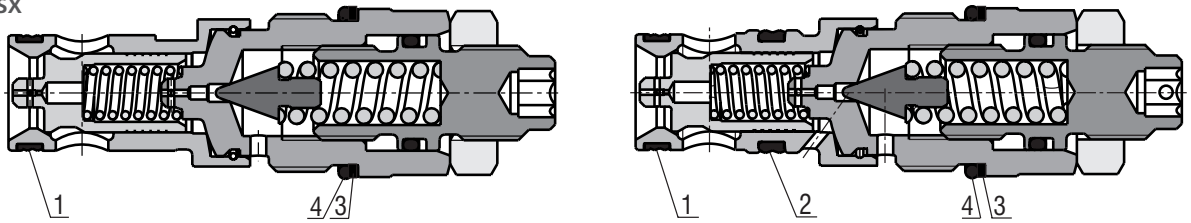


Position		VPP-R-16									
1+2	Seal Kit	Pos.	Back-up ring	Pcs	Pos.	O-ring NBR	Pcs				Ordering No.
	NBR	1	27.38x33.38x1.0 (PT)	1	2	26.57x3.53	1				34158400
	FPM		1	1					On request		
Position		VPP-R-25									
1+2	Seal Kit	Pos.	Back-up ring	Pcs	Pos.	O-ring NBR	Pcs				Ordering No.
	NBR	1	35.38x38.08x1.14	1	2	34.65x1.78	1				40124600
	FPM		1	1					On request		
Position		VPP-R-16-xx-L-CE1017									
1+2+3	Seal Kit	Pos.	Back-up ring	Pcs	Pos.	O-ring NBR	Pcs	Pos.	Seal HTR 24	Pcs	Ordering No.
	NBR	1	27.38x33.38x1.0 (PT)	1	2	26.57x3.53	1	3	HTR 24	1	34158400
	FPM								1	1	On request

Product (Datasheet): **VPN1-20** (5159)

**Cavity S, SY and SX**

- 1 - Dual-Seal
- 2 - Dual-Seal
- 3 - Back-up ring
- 4 - O-ring



Position		VPN1-20 (S, SY)												
1+3+4	Seal Kit	Pos.	Dual-Seal	Pcs				Pos.	Back-up ring	Pcs	Pos.	O-ring NBR	Pcs	Ordering No.
	NBR	1	19.62x22.22x3.8	1				3	27.46x31.82x1.14	1	4	26.64x2.62	1	40709600
	FPM													
Position		VPN1-20 (SX)												
1+2+3+4	Seal Kit	Pos.	Dual-Seal	Pcs	Pos.	Dual-Seal	Pcs	Pos.	Back-up ring	Pcs	Pos.	O-ring NBR	Pcs	Ordering No.
	NBR	1	19.62x22.22x3.8	1	2	19.6x23x4.4	1	3	27.46x31.82x1.14	1	4	26.64x2.62	1	40714300
	FPM													

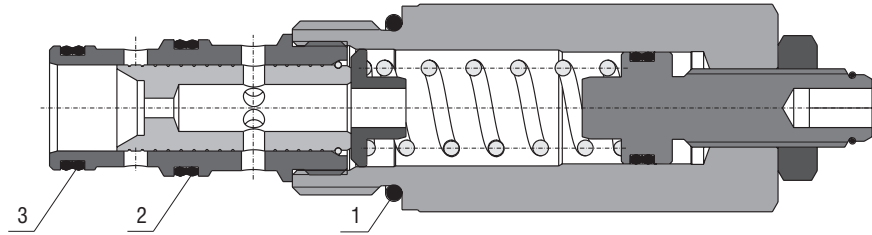
All dimensions are indicated in millimeters [mm].

**4 Flow Control Valves**

Product (Datasheet): **SF22A-A2/H (5060), SF22A-B2/H (5067), SF32A-B3/H (5070), ST2C1A-A2 (5133), ST21A-B2 (5134)**

**Cavity A2, B2, B3**

- 1 - O-ring
- 2 - Dualseal
- 3 - Dualseal

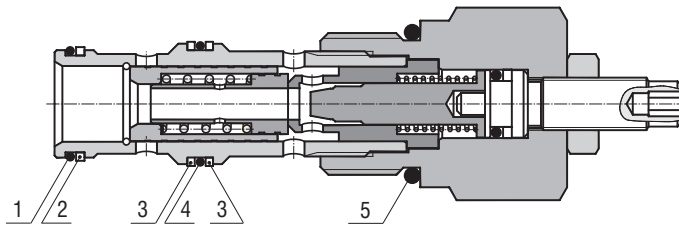


Position		SF22A-A2/H, ST2C1A-A2										
1+3	Seal Kit	Pos.	Dualseal PU	Pcs	Pos.	O-ring NBR	Pcs	Pos.	O-ring Viton - FPM	Pcs	Ordering No.	
	NBR	3	10.3x12.7x3.1	1	1	17x1.8	1	-	-	-	20776700	
	FPM	3	10.3x12.7x3.1	1	-	-	-	1	17.17x1.78	1	17014300	
Position		SF22A-B2/H, ST21A-B2										
1+3	Seal Kit	Pos.	Dualseal PU	Pcs	Pos.	O-ring NBR	Pcs	Pos.	O-ring Viton - FPM	Pcs	Ordering No.	
	NBR	3	13.47x15.87x3.1	1	1	19.4x2.1	1	-	-	-	18960400	
	FPM	3	13.47x15.87x3.1	1	-	-	-	1	19.4x2.1	1	18960500	
Position		SF32A-B3/H										
1+2+3	Seal Kit	Pos.	Dualseal PU	Pcs	Pos.	Dualseal PU	Pcs	Pos.	O-ring	Pcs	Ordering No.	
	NBR	3	13.47x15.87x3.1	1	2	15.07x17.47x3.1	1	1	19.4x2.1 (NBR)	1	18960700	
	FPM	3	13.47x15.87x3.1	1	2	15.07x17.47x3.1	1	1	19.4x2.1 (FPM)	1	18960600	

Product (Datasheet): **SF2C2A-K2/I (5236), SF32A-K3/I (5227)**

**Cavity K2, K3**

- 1 - O-ring
- 2 - Back-up ring
- 3 - Back-up ring
- 4 - O-ring
- 5 - O-ring

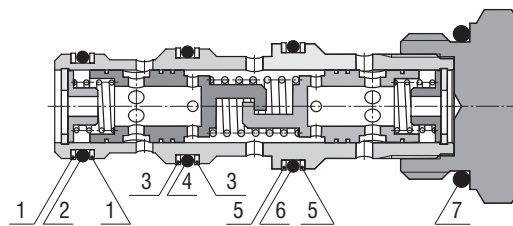


Position		SF2C2A-K2/I										
1+2+5	Seal Kit	Pos.	O-ring	Pcs	Pos.	Back-up ring	Pcs					Ordering No.
		1, 5		1	2		1					On request
Position		SF32A-K3/I										
1+2+3+4+5	Seal Kit	Pos.	O-ring	Pcs	Pos.	Back-up ring	Pcs	Pos.	Back-up ring	Pcs	Ordering No.	
		1, 4, 5		1	2		1	3		2	On request	

Product (Datasheet): **SFD2F-B4/I (5234), SFD2F-D4/I (5235)**

**Cavity B4, D4**

- 1 - Back-up ring
- 2 - O-ring
- 3 - Back-up ring
- 4 - O-ring
- 5 - Back-up ring
- 6 - O-ring
- 7 - O-ring



Position		SFD2F-B4/I, SFD2F-D4/I										
1+2+3+4+5+6+7	Seal Kit	Pos.	O-ring				Pcs	Pos.	Back-up ring			Ordering No.
		2, 4, 6, 7					1	1, 3, 5				On request

All dimensions are indicated in millimeters [mm].

**4 Flow Control Valves**

Product (Datasheet): **VSK (5121), VSO1-04/R (5054)**

**VSK** Replacement seals for VSK valve is not offered!  
**VSO1-04/R** Replacement seals for VSO1-04/R valve is not offered!

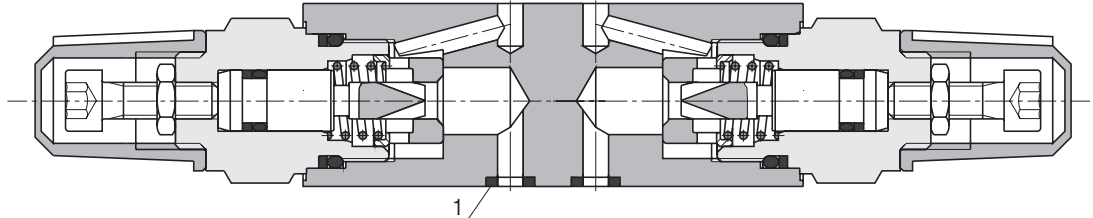
Product (Datasheet): **VSO1-04/M (5053)**

Product (Datasheet): **2V53-06 (5051), VSS1-206 (5032), VSS1-306 (5033), VSS2-206 (5041)**

Product (Datasheet): **VSO2-10/M (5056), VSO3-10/M (5076)**

**Valve 04, 06, 10**

1 - Square ring (NBR),  
O-ring (FPM)

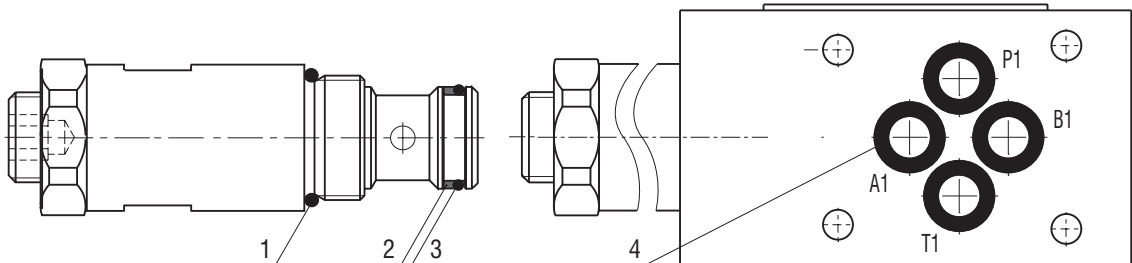


Position		VSO1-04/M					
1	Seal Kit	Pos.	Ring	Pcs		Ordering No.	
	NBR	1	Square ring 7.65x1.68	4		20718400	
	FPM		O-ring 7.65x1.78	4		22502600	
Position		2V53-06, VSS1-206, VSS1-306, VSS2-206					
1	Seal Kit	Pos.	Ring	Pcs		Ordering No.	
	NBR	1	Square ring 9.25x1.68	4		15650300	
	FPM		O-ring 9.25x1.78	4		22944700	
Position		VSO2-10/M, VSO3-10/M					
1	Seal Kit	Pos.	Square ring	Pcs		Ordering No.	
	NBR	1	12.42x1.68	5		15991600	
	FPM		12.42x1.68	5		40066700	

Product (Datasheet): **VSS3-062/S (5057), VSS3-062/M (5050)**

**Valve 06**

1 - O-ring  
2 - Back-up ring  
3 - O-ring  
4 - Square ring (NBR),  
O-ring (FPM)



Pos.		VSS3-062/S, VSS3-062/M										
1-3	Seal Kit	Pos.	O-ring	Pcs	Pos.	Back-up ring (PT)	Pcs	Pos.	O-ring	Pcs		Ordering No.
	NBR	1	19.4x2.1	1	2	14.73x17.43x1.14	1	3	14x1.78	1		15650200
	FPM		19.4x2.1	1		14.73x17.43x1.14	1		14x1.78	1		16954700
Pos.		VSS3-062/M										
4	Seal Kit							Pos.	Ring	Pcs	Ordering No.	
	NBR							4	Square ring 9.25x1.68	4	15650300	
	FPM						O-ring 9.25x1.78		4	22944700		

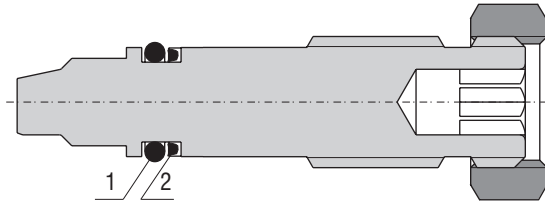
All dimensions are indicated in millimeters [mm].

4 Flow Control Valves

Product (Datasheet): **VSV2 (5132)**

Cavity QC2

- 1 - O-ring
- 2 - Back-up ring



Pos.	VSV2-1, VSV2-J1, VSV2-J2							
1, 2	Seal Kit	Pos.	O-ring	Pcs	Pos.	Back-up ring	Pcs	Ordering No.
	NBR	1	6.9x1.8	1	2	6.73x9.43x1.14	1	40125400
	FPM		6.9x1.8	1		6.73x9.43x1.14	1	40125300

All dimensions are indicated in millimeters [mm].

**5 Overcentre Valves**

Product (Datasheet): **SO5A-BP3 (5199), SO5A-CP3 (5194), SOB5A-BP3 (5197), SOB5A-CP3 (5195)**

**Cavity BP3, CP3**

1, 2, 3, 4 - těsnění

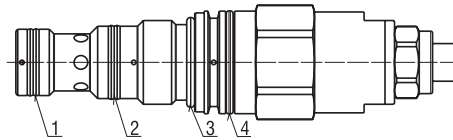


Pos.	SO5A-BP3													
1-3	Seal Kit	Pos.	Dual-Seal PU	Pcs	Pos.	Dual-Seal PU	Pcs	Pos.	O-ring	Pcs	Pos.	O-ring	Pcs	Ordering No.
	NBR	1	15.07x17x47x3.1	1	2	16.65x19.05x3.1	1	3	19.4x2.1 NBR70	1				40771600
	FPM		15.07x17x47x3.1	1		16.65x19.05x3.1	1		19.4x2.1 V80	1				40768400
1-3	SO5A-CP3													
	NBR	1	19.62x22.22x3.8	1	2	21.2x23.8x3.8	1	3	24x2.5 NBR90	1				41676200
	FPM		19.62x22.22x3.8	1		21.2x23.8x3.8	1		24x2.5 V90	1				41676500
1-4	SOB5A-BP3 (with vent sealing)													
	NBR	1	15.07x17x47x3.1	1	2	16.65x19.05x3.1	1	3	19.4x2.1 NBR70	1	4	23x47x2.62 NBR70	1	40771800
	FPM		15.07x17x47x3.1	1		16.65x19.05x3.1	1		19.4x2.1 V80	1		23x47x2.62 V80	1	40771700
1-4	SOB5A-CP3 (with vent sealing)													
	NBR	1	19.62x22.22x3.8	1	2	21.2x23.8x3.8	1	3	24x2.5 NBR90	1	4	26.64x2.62 NBR70	1	42749400
	FPM		19.62x22.22x3.8	1		21.2x23.8x3.8	1		24x2.5 V90	1		26.64x2.62 V80	1	42749600

Product (Datasheet): **SOBD5A-BPY3 (5198), SOBD5A-CPY3 (5196)**

**Cavity BPY3, CPY3**

1, 2, 3, 4 - těsnění



Pos.	SOBD5A-BPY3													
1-4	Seal Kit	Pos.	Dual-Seal PU	Pcs	Pos.	Dual-Seal PU	Pcs	Pos.	O-ring	Pcs	Pos.	O-ring	Pcs	Ordering No.
	NBR	1	15.07x17x47x3.1	1	2	16.65x19.05x3.1	1	3	19.4x2.1 NBR70	1	4	23.52x1.78 NBR90	1	40772200
	FPM		15.07x17x47x3.1	1		16.65x19.05x3.1	1		19.4x2.1 V80	1		23.53x1.78 V80	1	40772100
1-4	SOBD5A-CPY3													
	NBR	1	19.62x22.22x3.8	1	2	21.2x23.8x3.8	1	3	24x2.5 NBR90	1	4	28.3x1.78 NBR90	1	41676700
	FPM		19.62x22.22x3.8	1		21.2x23.8x3.8	1		24x2.5 V90	1		28.3x1.78 V80	1	41676800

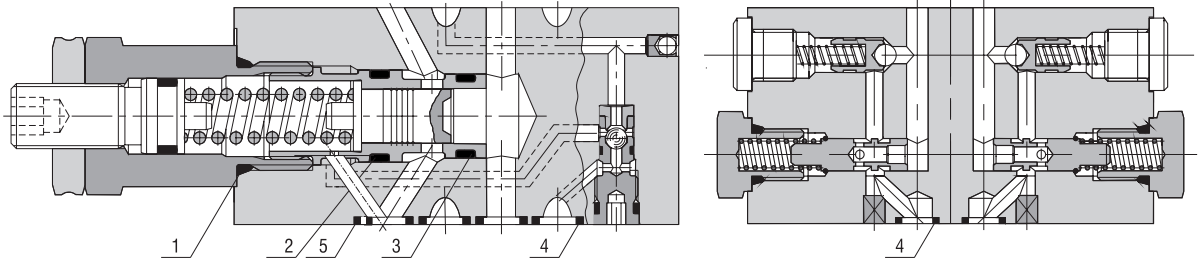
All dimensions are indicated in millimeters [mm].

**6 Proportional Valves**

Product (Datasheet): **TV2-063/S (5158), TV2-062/M (5166), TV2-063/M (5168) TV2-042/M (5167), TV2-043/M (5188)**

**Valve size 04, 06**

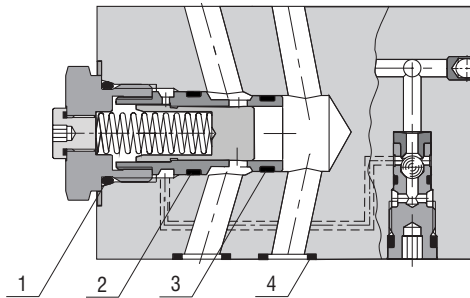
- 1 - O-ring
- 2 - Dualseal
- 3 - Dualseal
- 4 - Square ring  
O-ring
- 5 - O-ring



Pos.	TV2-063/S										Ordering No.
<b>1+2+3</b>	Seal Kit	Pos.	O-ring	Pcs	Pos.	Dualseal PU	Pcs	Pos.	Dualseal PU	Pcs	
	NBR	<b>1</b>	18x2	1	<b>2</b>	14.6x17x3.4	1	<b>3</b>	13.1x15.5x3.4	1	40125600
	FPM		18x2	1		14.6x17x3.4	1		13.1x15.5x3.4	1	34312500
Pos.	TV2-062/M*, TV2-062/MCX, TV2-063/M*										Ordering No.
<b>4</b>	Seal Kit							Pos.	Ring	Pcs	
	NBR							<b>4</b>	Square ring 9.25x1.68	4	15650300
	FPM								O-ring 9.25x1.78	4	22944700
Pos.	TV2-062/MCX										Ordering No.
<b>5</b>	NBR							<b>5</b>	O-ring 5.28x1.68	1	20161600
Pos.	TV2-042/M, TV2-043/M										Ordering No.
<b>4</b>	Seal Kit							Pos.	Ring	Pcs	
	NBR							<b>4</b>	Square ring 7.65x1.68	4	20718400
	FPM								O-ring 7.5x1.8	4	17246100

Product (Datasheet): **TV2-102/S (5179), TV2-103/S (5180), TV2-102/M (5169), TV2-103/M (5170)**

**Valve size 10**

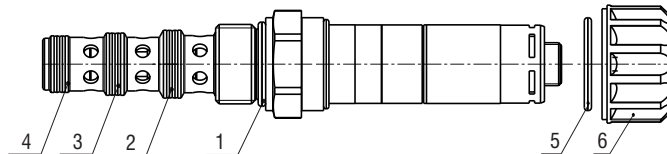


Pos.	TV2-102/S, TV2-103/S										Ordering No.
<b>1+2+3</b>	Seal Kit	Pos.	O-ring	Pcs	Pos.	Dualseal PU	Pcs	Pos.	Dualseal PU	Pcs	
	NBR	<b>1</b>	23.47x2.95	1	<b>2</b>	20.6x23x3.4	1	<b>3</b>	18.6x21x3.6	1	16755901
	FPM		23.47x2.95	1		20.6x23x3.4	1		18.6x21x3.6	1	40125900
Pos.	TV2-102/M, TV2-103/M										Ordering No.
<b>4</b>	Seal Kit							Pos.	Square ring	Pcs	
	NBR							<b>4</b>	12.42x1.68	5	15991600
	FPM								12.42x1.68	5	40066700

Product (Datasheet): **SD2P-B4 (5149)**

**Cavity B4 7/8-14 UNF**

- 1 - O-ring
- 2, 3, 4 - Dualseal
- 5 - O-ring
- 6 - Retaining nut



Position	SD2P-B4/H										Ordering No.
<b>1+2+3+4</b>	Seal Kit	Pos.	Dualseal PU	Pcs	Pos.	O-ring NBR	Pcs	Pos.	O-ring Viton - FPM	Pcs	
	NBR	<b>4</b>	13.47x15.87x3.1	1	<b>1</b>	19.4x2.1	1	-	-	-	18960800
		<b>3</b>	15.07x17.47x3.1	1							
		<b>2</b>	16.65x19.05x3.1	1							
	FPM	<b>4</b>	13.47x15.87x3.1	1	-	-	-	<b>1</b>	19.4x2.1	1	18960900
		<b>3</b>	15.07x17.47x3.1	1							
		<b>2</b>	16.65x19.05x3.1	1							
<b>5+6</b>	Nut Kit	Pos.	O-ring	Pcs	Pos.	Retaining nut	Pcs				
		<b>5</b>	22x2	1	<b>6</b>	Plastic	1				15844600

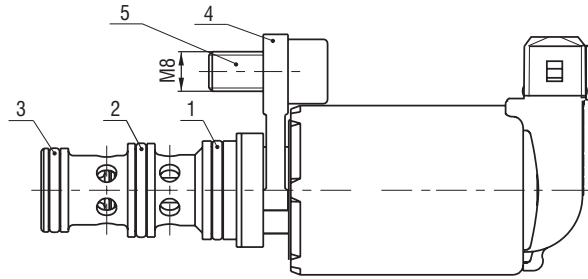
All dimensions are indicated in millimeters [mm].

**6 Proportional Valves**

Product (Datasheet): **PP2P1-W3 (5125), PP2P3-W3 (5147)**

**Cavity W3**

- 1, 2, 3 - O-ring
- 4 - Fork Slip-In M8
- 5 - Bolt M8x16 (ISO 4762)

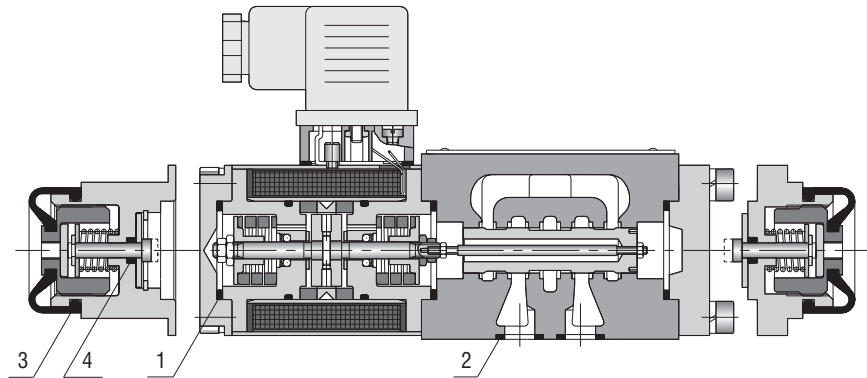


Position	PP2P1-W3, PP2P3-W3											
<b>1+2+3</b>	Seal Kit	Pos.	O-ring	Pcs	Pos.	O-ring	Pcs	Pos.	O-ring	Pcs	Ordering No.	
	NBR	3	14x1.78	1	2	16x1.8	1	1	17x1.8	1	16961300	
	FPM	3	14x1.78	1	2	16x1.8	1	1	17x1.8	1	On request	
<b>4+5</b>	Kit - Fork+Bolt M8	Pos.		Pcs	Pos.		Pcs				Ordering No.	
		4	Fork SLIP-IN M8	1	5	Bolt M8x16 Zn / PO-A	1				16961500	

Product (Datasheet): **PRL1 (5101)**

**Size 06**

- 1 - O-ring
- 2 - Square ring (NBR)
- 3 - Rubber boot
- 4 - O-ring

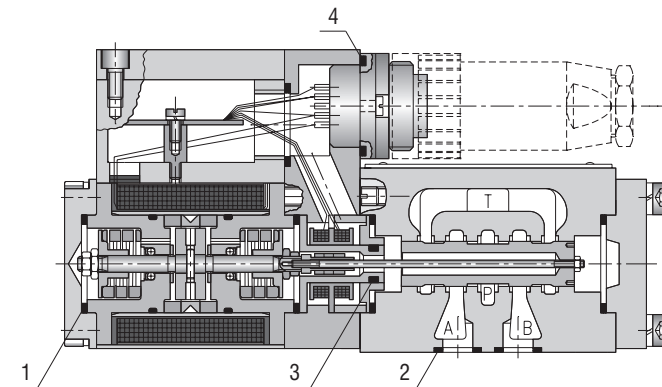


Position	PRL1* without manual override													
<b>1+2</b>	Seal Kit	Pos.	O-ring	Pcs	Pos.	Ring	Pcs				Ordering No.			
	NBR	1	22x2	3	2	Square ring 9.25x1.68	4				23043600			
	FPM	1		3	2		4				On request			
Position	PRL1*N													
<b>1+2+3+4</b>	Seal Kit	Pos.	O-ring	Pcs	Pos.	Ring	Pcs	Pos.	Manual override	Pcs	Pos.	O-ring	Pcs	Ordering No.
	NBR	1	22x2	3	2	Square ring 9.25x1.68	4	3	Rubber boot	1	4	4x1.75	1	23043700
	FPM	1		3	2		4	3		1	4		1	On request
Position	PRL1*NN													
<b>1+2+3+4</b>	Seal Kit	Pos.	O-ring	Pcs	Pos.	Ring	Pcs	Pos.	Manual override	Pcs	Pos.	O-ring	Pcs	Ordering No.
	NBR	1	22x2	3	2	Square ring 9.25x1.68	4	3	Rubber boot	2	4	4x1.75	2	23043800
	FPM	1		3	2		4	3		2	4		2	On request

Product (Datasheet): **PRL2 (5103)**

**Size 06**

- 1 - O-ring
- 2 - Square ring (NBR)
- 3, 4 - O-ring



All dimensions are indicated in millimeters [mm].

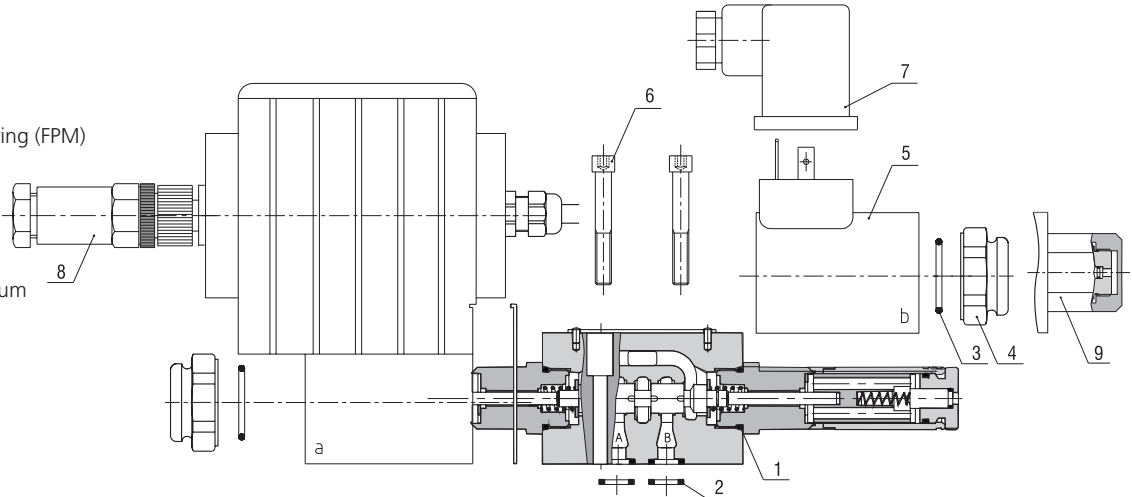
Position	PRL2* without manual override													
<b>1+2+3+4</b>	Seal Kit	Pos.	O-ring	Pcs	Pos.	Ring	Pcs	Pos.	O-ring	Pcs	Pos.	O-ring	Pcs	Ordering No.
	NBR	1	22x2	4	2	Square ring 9.25x1.68	4	3	6x2	1	4	18x2	1	23043900
	FPM	1		4	2		4	3		1	4		1	On request

**6 Proportional Valves**

Product (Datasheet): **PRM2-04 (5105), PRM2-06 (5104), PRM6-10 (5115)**

Size **04, 06, 10**

- 1 - O-ring
- 2 - Square ring (NBR), O-ring (FPM)
- 3 - O-ring
- 4 - Retaining nut Plastic
- 5 - Solenoid coil
- 6 - Mounting bolt
- 7, 8 - Connector
- 9 - Retaining nut Aluminium



Position		PRM2-04						
<b>1+2</b>	Seal Kit	<b>Pos.</b>	O-ring	Pcs	<b>Pos.</b>	Ring	Pcs	Ordering No.
	NBR	<b>1</b>	16x2	2	<b>2</b>	Square ring 7.65x1.68	4	15873800
	FPM		16x2	2		O-ring 7.5x1.8	4	15874400
<b>3+4</b>	Nut Kit	<b>Pos.</b>	O-ring	Pcs	<b>Pos.</b>	Retaining nut	Pcs	Ordering No.
		<b>3</b>	18x1.5	1	<b>4</b>	Plastic	1	15874500
<b>5</b>	Solenoid Coil Kit	<b>Pos.</b>					Pcs	Ordering No.
		<b>5</b>	Nominal supply voltage 12 V				1	27821900
			Nominal supply voltage 24 V				1	27824200
<b>6</b>	Bolt Kit	<b>Pos.</b>	Mounting bolt				Pcs	Ordering No.
		<b>6</b>	Bolt M5x35				4	15874600
Position		PRM2-06						
<b>1+2</b>	Seal Kit	<b>Pos.</b>	O-ring	Pcs	<b>Pos.</b>	Ring	Pcs	Ordering No.
	NBR	<b>1</b>	17x1.8	2	<b>2</b>	Square ring 9.25x1.68	4	15845200
	FPM		17.17x1.78	2		O-ring 9.25x1.78	4	15845400
<b>3+4</b>	Nut Kit	<b>Pos.</b>	O-ring	Pcs	<b>Pos.</b>	Retaining nut	Pcs	Ordering No.
		<b>3</b>	22x2	1	<b>4</b>	Plastic	1	15844600
<b>5</b>	Solenoid Coil Kit	<b>Pos.</b>					Pcs	Ordering No.
		<b>5</b>	Nominal supply voltage 12 V				1	18838500
			Nominal supply voltage 12 V (1.6 A) for 12 V electronic unit integrated				1	16187500
			Nominal supply voltage 24 V				1	18838300
<b>6</b>	Bolt Kit	<b>Pos.</b>	Mounting bolt				Pcs	Ordering No.
		<b>6</b>	M5x45				4	15845100
Position		PRM6-10						
<b>1+2</b>	Seal Kit	<b>Pos.</b>	O-ring	Pcs	<b>Pos.</b>	Square ring	Pcs	Ordering No.
	NBR	<b>1</b>	23.81x2.62	2	<b>2</b>	12.42x1.68	5	23114300
	FPM		23.47x2.62	2		12.42x1.68	5	23114400
<b>3+4</b>	Nut Kit	<b>Pos.</b>	O-ring	Pcs	<b>Pos.</b>	Retaining nut	Pcs	Ordering No.
	Standard, N2	<b>3</b>	30x2	1	<b>4</b>	Plastic	1	15900800
<b>3+9</b>	Nut Kit	<b>Pos.</b>	O-ring	Pcs	<b>Pos.</b>	Retaining nut	Pcs	Ordering No.
	N1	<b>3</b>	30x2	1	<b>4</b>	Aluminium	1	45332300
<b>5</b>	Solenoid Coil Kit	<b>Pos.</b>					Pcs	Ordering No.
		<b>5</b>	Nominal supply voltage 12 V				1	16195800
			Nominal supply voltage 24 V				1	16196200
<b>6</b>	Bolt Kit	<b>Pos.</b>	Mounting bolt				Pcs	Ordering No.
		<b>6</b>	M6x45				4	20239000
Position		PRM2-04, PRM2-06, PRM6-10						
<b>7</b>	Connector	<b>Pos.</b>	Type K1 without rectifier M16x1.5 bushing bore Ø 6-8 mm (0.24-0.32 in)				Pcs	Ordering No.
	to EN 175301-803	<b>7</b>	Maximum input voltage 250 V AC/DC		Connector plug	G gray B black	1	16202200
							1	16202100
<b>8</b>	Connector	<b>Pos.</b>					Pcs	Ordering No.
		<b>8</b>	M12x1 (4-pin connector)				1	15634200

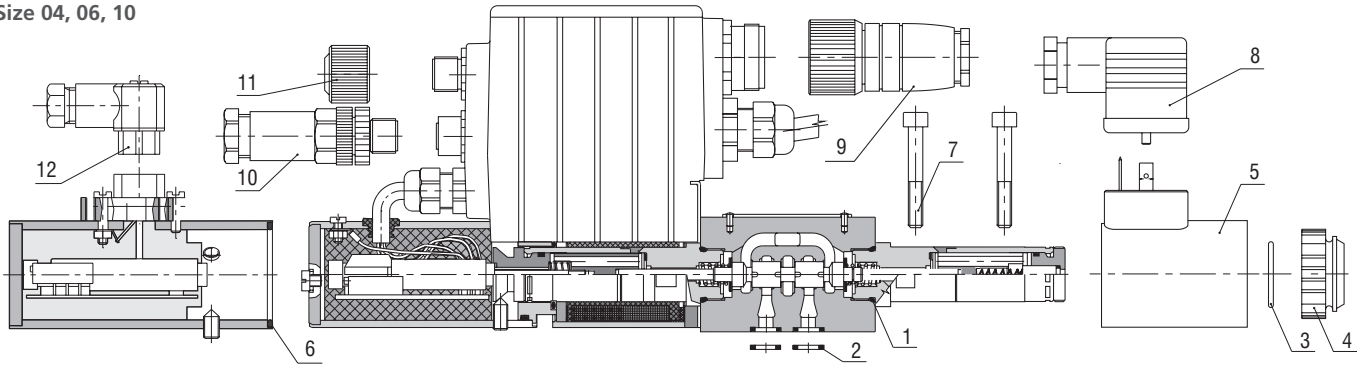
All dimensions are indicated in millimeters [mm].



**6 Proportional Valves**

Product (Datasheet): **PRM7-04 (5120), PRM7-06 (5119), PRM7-10 (5116)**

Size **04, 06, 10**



- 1 - O-ring
- 2 - Square ring (NBR), O-ring (FPM)
- 3 - O-ring
- 4 - Retaining nut
- 5 - Solenoid coil
- 6 - Mounting bolt
- 7 - Mounting bolt
- 8, 9, 10 - Connector
- 11 - Cover of connector
- 12 - Connector

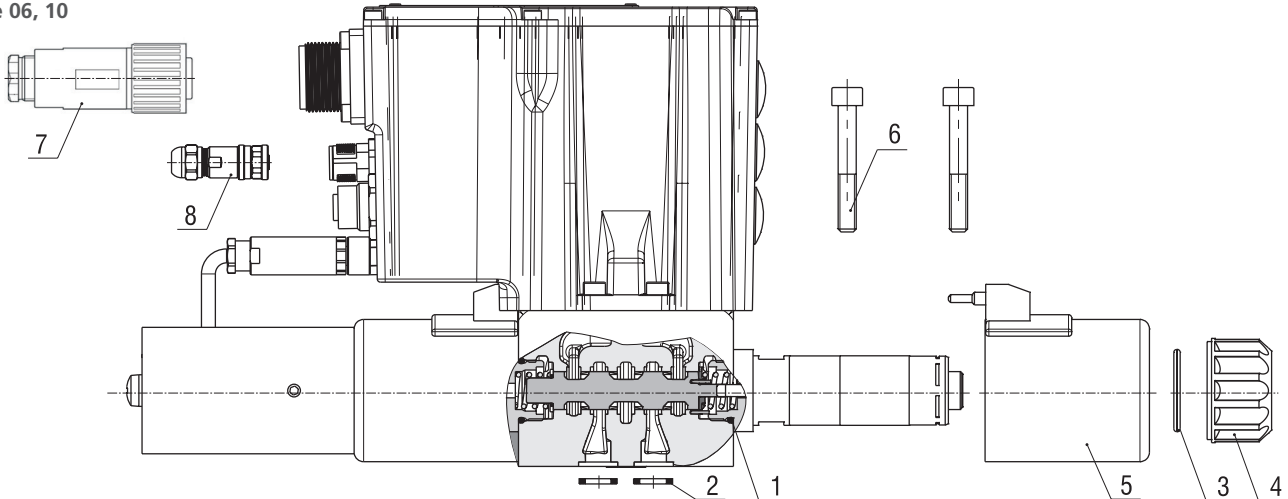
All dimensions are indicated in millimeters [mm].

Position		PRM7-04		Pcs		Pcs		Ordering No.			
1+2	Seal Kit	Pos.	O-ring	2	Pos.	Ring	4	Ordering No.			
			NBR	16x2		2	Square ring 7.65x1.68	4	15873800		
			FPM	16x2	2	O-ring 7.5x1.8	4	15874400			
3+4	Nut Kit	Pos.	O-ring	1	Pos.	Retaining nut	1	Ordering No.			
			3	18x1.5		4	Plastic	1	15874500		
5	Solenoid Coil Kit	Pos.					Pcs		Ordering No.		
			5	Nominal supply voltage 12 V				1	27821900		
			Nominal supply voltage 24 V				1	27824200			
6	Seal	Pos.	O-ring				Pcs		Ordering No.		
			6	28x2	1			15605600			
7	Bolt Kit	Pos.	Mounting bolt				Pcs		Ordering No.		
			7	Bolt M5x35	4			15874600			
Position		PRM7-06		Pcs		Pcs		Ordering No.			
1+2	Seal Kit	Pos.	O-ring	2	Pos.	Ring	4	Ordering No.			
			NBR	17x1.8		2	Square ring 9.25x1.68	4	15845200		
			FPM	17.17x1.78	2	O-ring 9.25x1.78	4	15845400			
3+4	Nut Kit	Pos.	O-ring	1	Pos.	Retaining nut	1	Ordering No.			
			3	22x2		4	Plastic	1	15844600		
5	Solenoid Coil Kit	Pos.					Pcs		Ordering No.		
			5	Nominal supply voltage 12 V				1	18838500		
			Nominal supply voltage 12 V (1.6 A) for 12 V electronic unit integrated				1	16187500			
			Nominal supply voltage 24 V				1	18838300			
6	Seal	Pos.	O-ring				Pcs		Ordering No.		
			6	32x2	1			15606000			
7	Bolt Kit	Pos.	Mounting bolt				Pcs		Ordering No.		
			7	M5x45	4			15845100			
Position		PRM7-10		Pcs		Pcs		Ordering No.			
1+2	Seal Kit	Pos.	O-ring	2	Pos.	Square ring	5	Ordering No.			
			NBR	23.81x2.62		2	12.42x1.68	5	23114300		
			FPM	23.47x2.62	2	12.42x1.68	5	23114400			
3+4	Nut Kit	Pos.	O-ring	1	Pos.	Retaining nut	1	Ordering No.			
			3	30x2		4	Plastic	1	15900800		
5	Solenoid Coil Kit	Pos.					Pcs		Ordering No.		
			5	Nominal supply voltage 12 V				1	16195800		
			Nominal supply voltage 24 V				1	16196200			
6	Seal	Pos.	O-ring				Pcs		Ordering No.		
			6	32x2	1			15606000			
7	Bolt Kit	Pos.	Mounting bolt				Pcs		Ordering No.		
			7	M6x45	4			20239000			
Position		PRM7-04, PRM7-06, PRM7-10		Pcs		Pcs		Ordering No.			
8	Connector	Pos.	Type K1 without rectifier M16x1.5 bushing bore Ø 6-8 mm (0.24-0.32 in)					Pcs		Ordering No.	
			8	Maximum input voltage 250 V AC/DC	Connector plug	G gray	1	16202200			
					B black	1	16202100				
9	Connector	Pos.	M23-7PIN-FEMALE - connector (female)				Pcs		Ordering No.		
							1		17508300		
10	Connector	Pos.	M12x1-5PIN-MALE - connector (male), only for E03 and E04S01 configurations				Pcs		Ordering No.		
							1		17661100		
11	Cover of connector	Pos.	M12x1				Pcs		Ordering No.		
							1		23090600		
12	Connector	Pos.	G4W1FSW				Pcs		Ordering No.		
							1		20607000		

**6 Proportional Valves**

Product (Datasheet): **PRM9-06 (5129), PRM9-10 (5130)**

Size 06, 10



- 1 - O-ring
- 2 - Square ring (NBR), O-ring (FPM)
- 3 - O-ring
- 4 - Retaining nut
- 5 - Solenoid coil
- 6 - Mounting bolt
- 7, 8, 9 - Connector

All dimensions are indicated in millimeters [mm].

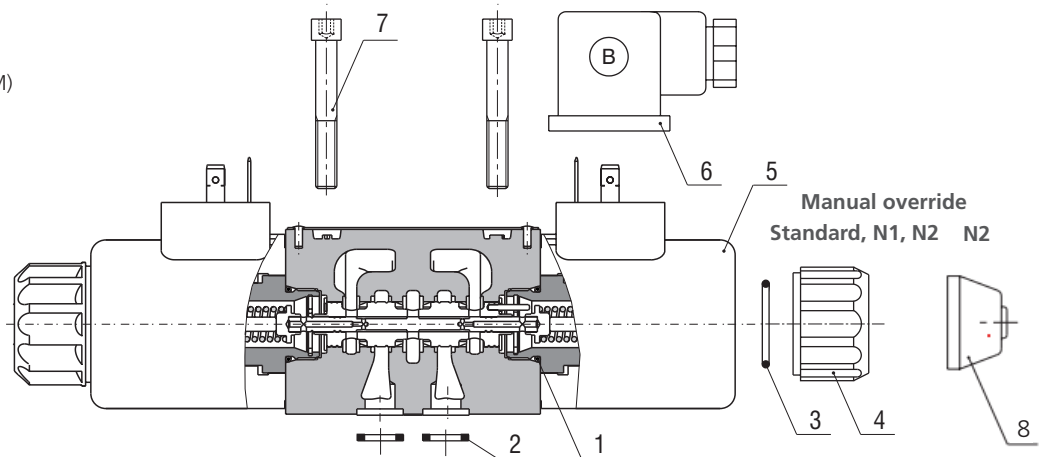
Position		PRM9-06							
<b>1+2</b>	Seal Kit	<b>Pos.</b>	O-ring	Pcs	<b>Pos.</b>	Ring		Pcs	Ordering No.
	NBR	<b>1</b>	17x1.8	2	<b>2</b>	Square ring 9.25x1.68		4	15845200
	FPM		17.17x1.78	2		O-ring 9.25x1.78		4	15845400
<b>3+4</b>	Nut Kit	<b>Pos.</b>	O-ring	Pcs	<b>Pos.</b>	Retaining nut		Pcs	Ordering No.
		<b>3</b>	22x2	1	<b>4</b>	Plastic		1	15844600
<b>5</b>	Solenoid Coil Kit	<b>Pos.</b>						Pcs	Ordering No.
		<b>5</b>	Nominal supply voltage 24 V					1	31800900
<b>6</b>	Bolt Kit	<b>Pos.</b>	Mounting bolt					Pcs	Ordering No.
		<b>6</b>	M5x45					4	15845100
Position		PRM9-10							
<b>1+2</b>	Seal Kit	<b>Pos.</b>	O-ring	Pcs	<b>Pos.</b>	Square ring		Pcs	Ordering No.
	NBR	<b>1</b>	23.81x2.62	2	<b>2</b>	12.42x1.68		5	23114300
	FPM		23.47x2.62	2		12.42x1.68		5	23114400
<b>3+4</b>	Nut Kit	<b>Pos.</b>	O-ring	Pcs	<b>Pos.</b>	Retaining nut		Pcs	Ordering No.
		<b>3</b>	30x2	1	<b>4</b>	Plastic		1	15900800
<b>5</b>	Solenoid Coil Kit	<b>Pos.</b>						Pcs	Ordering No.
		<b>5</b>	Nominal supply voltage 24 V					1	32083700
<b>6</b>	Bolt Kit	<b>Pos.</b>	Mounting bolt					Pcs	Ordering No.
		<b>6</b>	M6x45					4	20239000
Position		PRM9-06, PRM9-10							
<b>7</b>	Connector	<b>Pos.</b>						Pcs	Ordering No.
		<b>7</b>	CM06EA14S-61S - Main supply connector +PE MIL (EN 175201-804)					1	40375000
<b>8</b>	Connector	<b>Pos.</b>						Pcs	Ordering No.
		<b>8</b>	M12x1-5PIN-FEMALE-CAN - plug (5-pol, A-Code), CANopen (optional)					1	33997300

**6 Proportional Valves**

Product (Datasheet): **PRM8-06 (5178), PRM8-10 (5253)**

**Size 06**

- 1 - O-ring
- 2 - Square ring (NBR), O-ring (FPM)
- 3 - O-ring
- 4 - Retaining nut
- 5 - Solenoid coil
- 6 - Connector
- 7 - Mounting bolt
- 8 - Rubber boot + Actuating pin

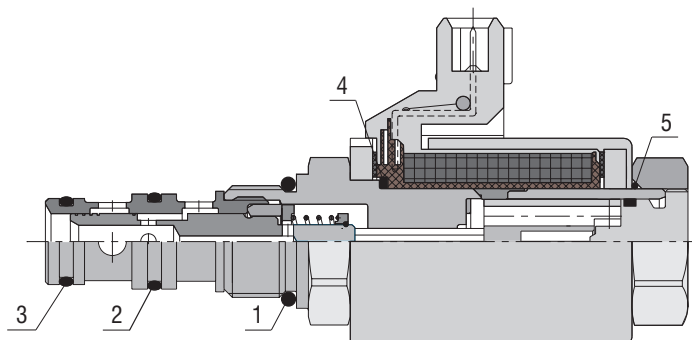


Position		PRM8-06															
1+2	Seal Kit	Pos.	O-ring	Pcs	Pos.	Ring										Pcs	Ordering No.
	NBR	1	17x1,8	2	2	Square ring 9,25x1,68										4	15845200
	FPM		17,17x1,78	2			O-ring 9,25x1,78										
7	Nut Kit	Pos.	Retaining nut													Pcs	Ordering No.
		7	M5x30													4	40101700
Position		PRM8-10															
1+2	Seal Kit	Pos.	O-ring	Pcs	Pos.	Ring										Pcs	Ordering No.
	NBR	1	23,81x2,62	2	2	12,42x1,68										5	23114300
	FPM		23,47x2,62	2			12,42x1,68										
7	Bolt Kit	Pos.														Pcs	Ordering No.
Mounting	bolt for steal plates	7	bolt M6x45			(for studs see Datasheet 0020)						4	20239000				
Position		PRM8-06, PRM8-10															
5	Solenoid coil	Pos.	E1			E3A			E12							E13	
	Nominal supply voltage	Pos.	Ordering No. (1pc)														
	12 V	5	18838500			19744700			19696100			19909300					
	24 V		18838300			19744300			19696200			30691600					
6	Connector	Pos.	Type K1 without rectifier M16x1.5 bushing bore Ø 6-8 mm (0.24-0.32 in)													Pcs	Ordering No.
	acc. to EN 175301-803	6	Maximum input voltage 250 V AC/DC			Connector plug			G gray			1			16202200		
									B black			1			16202100		
3+4	Nut Kit	Pos.	O-ring	Pcs	Pos.	Retaining nut										Pcs	Ordering No.
	Standard, N2	3	22x2	1	4	Plastic										1	15844600
	N1	3	22x2	1	4	Plastic - closed										1	15844700
8	Kit	Pos.														Pcs	Ordering No.
	N2	8	Rubber boot + Actuating pin													1	15900900

Product (Datasheet): **PVRM1-063/S (5108), PVRM3-10 (5118)**

**Size 06, 10**

- 1, 2, 3, 4, 5 - O-ring



Position		PVRM1-063/S															
1 - 5	Seal Kit	Pos.	O-ring	Pcs	Pos.	O-ring	Pcs	Pos.	O-ring	Pcs	Pos.	O-ring	Pcs	Pos.	O-ring	Pcs	Ordering No.
	NBR	1	18x2	1	2	14x1.78	1	3	12.42x1.78	1	4	20x2	1	5	18x1.5	1	23128400
	FPM		18x2	1		14x1.78	1		12.42x1.78	1		20x2	1		18x1.5	1	16030500
Position		PVRM3-10															
1 - 5	Seal Kit	Pos.	O-ring	Pcs	Pos.	O-ring	Pcs	Pos.	O-ring	Pcs	Pos.	O-ring	Pcs	Pos.	O-ring	Pcs	Ordering No.
	NBR	1	20.3x2.4	1	2	17x1.8	1	3	15x1.8	1	4	22x1.5	1	5	22x2	1	23128500
	FPM		20.3x2.4	1		17.17x1.78	1		14x1.78	1		22x1.5	1		22x2	1	40102800

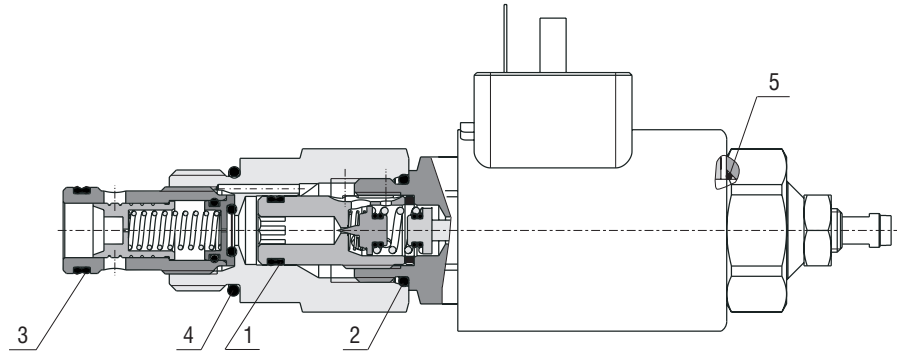
All dimensions are indicated in millimeters [mm].

**6 Proportional Valves**

Product (Datasheet): **SR1P2-A2 (5122), SR4P2-B2 (5117), SRN1P1-A2 (5137), SRN4P1-B2 (5138)**

**Cavity A2, B2**

- 1 - Dualseal
- 2 - O-ring
- 3 - Dualseal
- 4 - O-ring
- 5 - O-ring

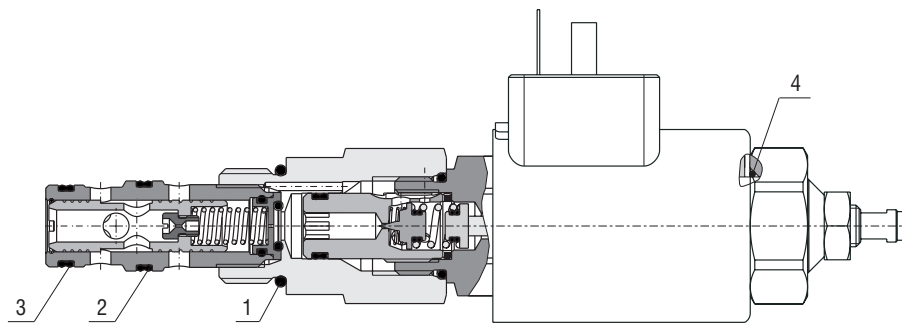


Position	SR1P2-A2, SRN1P1-A2										
<b>1+2+5</b>	Seal Kit	Pos.	Dualseal PU	Pcs	Pos.	O-ring	Pcs	Pos.	O-ring	Pcs	Ordering No.
	NBR	1	10.3x12.7x3.1	1	2	17.17x1.78	1	5	18x1.5	1	40102100
	FPM		10.3x12.7x3.1	1		17.17x1.78	1		18x1.5	1	40102000
Position	SR4P2-B2, SRN4P1-B2										
<b>3+4+5</b>	Seal kit	Pos.	Dualseal PU	Pcs	Pos.	O-ring	Pcs	Pos.	O-ring	Pcs	Ordering No.
	NBR	3	13.47x15.87x3.1	1	4	19.4x2.1	1	5	18x1.5	1	40102700
	FPM		13.47x15.87x3.1	1		19.4x2.1	1		18x1.5	1	40102300

Product (Datasheet): **SP4P2-B3 (5123), SPN4P1-B3 (5139)**

**Cavity B3**

- 1 - O-ring
- 2 - Dualseal
- 3 - Dualseal
- 4 - O-ring

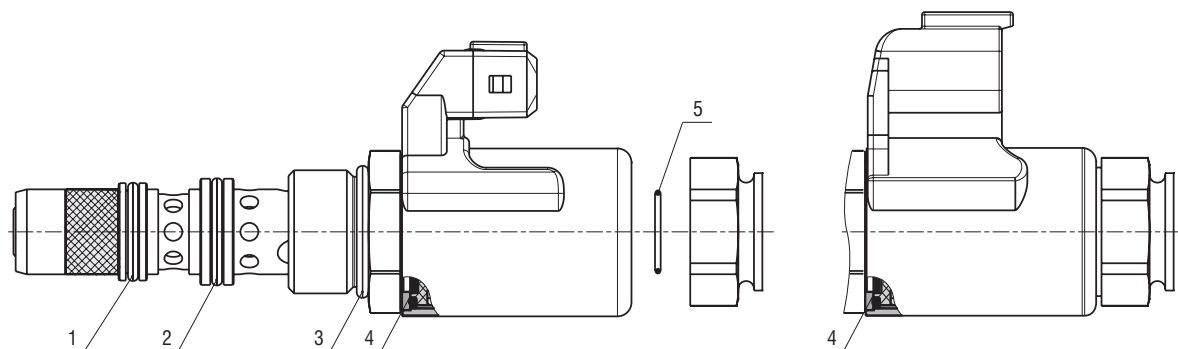


Position	SP4P2-B3, SPN4P1-B3												
<b>1+2+3</b>	Seal Kit	Pos.	O-ring	Pcs	Pos.	Dualseal PU	Pcs	Pos.	Dualseal PU	Pcs	Ordering No.		
	NBR	1	19.4x2.1	1	2	15.07x17.47x3.1	1	3	13.47x15.87x3.1	1	18960700		
	FPM		19.4x2.1	1		15.07x17.47x3.1	1		13.47x15.87x3.1	1	18960600		
<b>4</b>	Seal									Pos.	O-ring	Pcs	Ordering No.
	NBR									4	18x1.5	1	20150800
	FPM									4	18x1.5	1	20131900

Product (Datasheet): **SP4P1-B4 (5124)**

**Cavity B4**

- 1, 2, 3 - O-ring
- 4 - Dualseal
- 5 - O-ring

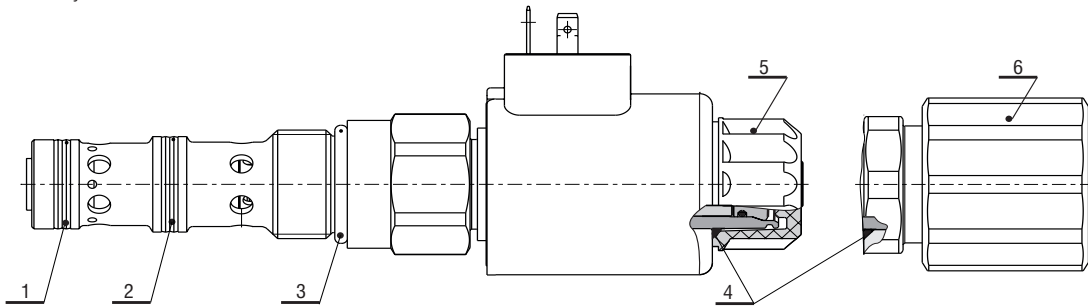


Position	SP4P1-B4																
<b>1+2+3+4+5</b>	Seal Kit	Pos.	O-ring	Pcs	Pos.	O-ring	Pcs	Pos.	O-ring	Pcs	Pos.	Seal	Pcs	Pos.	O-ring	Pcs	Ordering No.
	NBR	1	14x1.78	1	2	15.6x1.78	1	3	19.4x2.1	1	4	Silikon seal	1	5	13x2	1	34321700
	FPM		14x1.78	1		15.6x1.78	1		19.4x2.1	1					13x2	1	34321800

All dimensions are indicated in millimeters [mm].

**Cavity B4**

- 1, 2 - Dualseal
- 3 - O-ring
- 4 - O-ring Nut Kit
- 5 - Retaining nut
- 6 - Swivel handle (only for M10)



Position	SF32P-C3										
<b>1+2+3</b>	Seal Kit	<b>Pos.</b>	Dualseal PU	Pc	<b>Pos.</b>	Dualseal PU	Pc	<b>Pos.</b>	O-ring	Pc	Ordering No.
	NBR	<b>1</b>	19.62x22.22x3.8	1	<b>2</b>	21.2x23.8x3.8	1	<b>3</b>	23.47x2.95 NBR 90 BK	1	43669700
	FPM		19.62x22.22x3.8	1		21.2x23.8x3.8	1		23.47x2.95 FPM 90 GN	1	43669600
<b>4+5</b>	Nut Kit	<b>Pos.</b>	O-ring	Pc	<b>Pos.</b>	Retaining nut	Pc				Ordering No.
		<b>4</b>	22x2	1	<b>5</b>	Plastic	1				15844600
<b>4+6</b>	Nut Kit	<b>Pos.</b>	O-ring	Pc	<b>Pos.</b>	Swivel handle	Pc				Ordering No.
		<b>4</b>	22x2	1	<b>6</b>	M10 (only for M10)	1				43697000

**7 Explosion Proof Valves (ATEX/IECEX)**

Product (Datasheet):	<b>SD1EX-A2 (4088), SD1EX-A3 (4068), SD2EX-B2 (4064), SD2EX-B3 (4065), SD2EX B4 (4066), SD3EX-B2 (4067), SD2PX-B4 (5186), SD3EX-C2 (4089), PVRMX3-103 (5184)</b>
Screw-in Style	

Product (Datasheet):	<b>RPEX3-06 (4054), RPERX3-06 (4095), RPEX3-06*S6 (4094), PRMX2-06 (5183), PRMX8-06 (5185)</b>
Modular Style	

**ATEX - generally**

Position	SD1EX-A2, SD1EX-A3, SD2EX-B2, SD2EX-B3, SD2EX-B4, SD3EX-B2, SD3EX-C2			
1	Seal	O-ring	Pcs	Ordering No.
	MVQ (Silikon)	21.89x2.62	1	43928800
2	Seal	O-ring	Pcs	Ordering No.
	MVQ (Silikon)	46x2	1	34950700

**Screw-in Style**

For other spare parts see the standard product (for search of exact page use the Content)

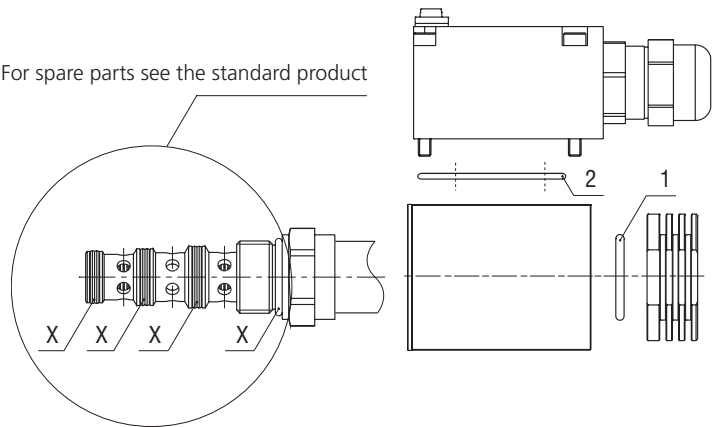
Explosion proof	Standard product	Section
SD1EX-A2	SD1E-A2	1
SD1EX-A3	SD1E-A3	
SD2EX-B3	SD2E-B3	
SD2EX-B4	SD2E-B4	
SD3EX-B2	SD3E-B2	
SD3EX-C2	SD3E-C2	

SD2PX-B4	SD2P-B4	6
----------	---------	---

PVRMX3-103	PVRM3-103	6
Seal kit	Pos. 1+2+3	
Ordering No,	44461000	

- 1 - O-ring
- 2 - O-ring

For spare parts see the standard product



**Modular Style**

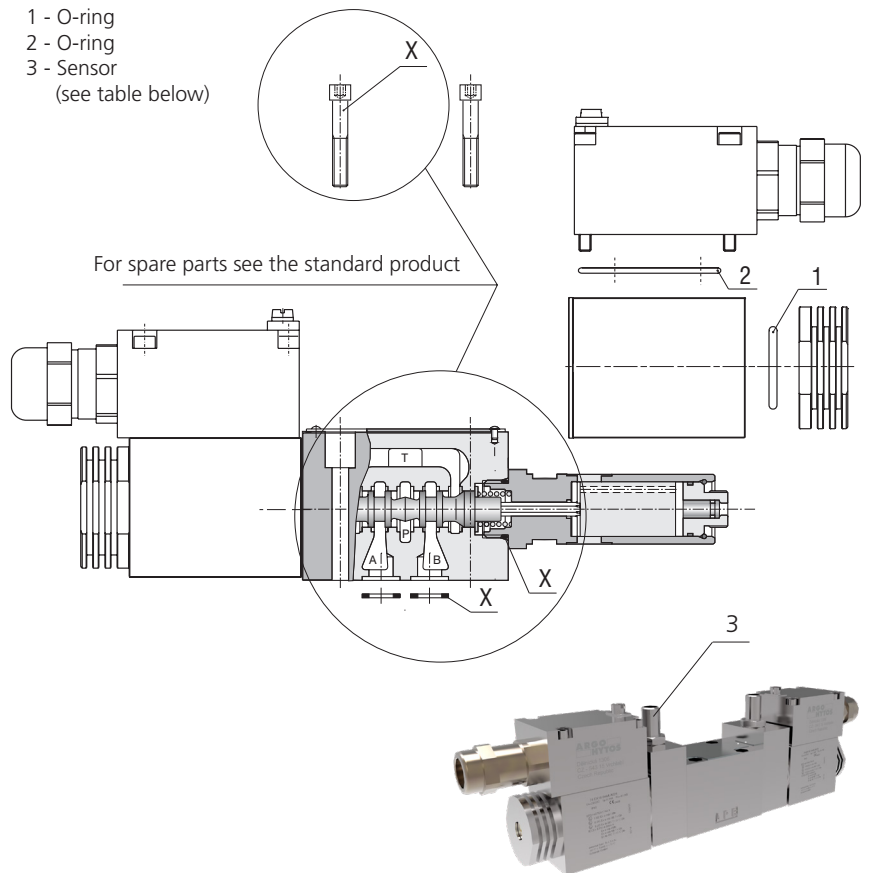
For other spare parts see the standard product (for search of exact page use the Content)

Explosion proof	Standard product	Section
RPEX3-06	RPE3-06	1
RPERX3-06	RPER3-06	
RPEX3-06*S6	RPE3-06	

PRMX2-06	PRM2-06	6
PRMX8-06	PRM8-06	

- 1 - O-ring
- 2 - O-ring
- 3 - Sensor (see table below)

For spare parts see the standard product



Position	RPEX3-06*S6	Pcs	Ordering No.
3	Sensor S6	1	40785200
	210 bar (3050 Pcs)	1	40785200

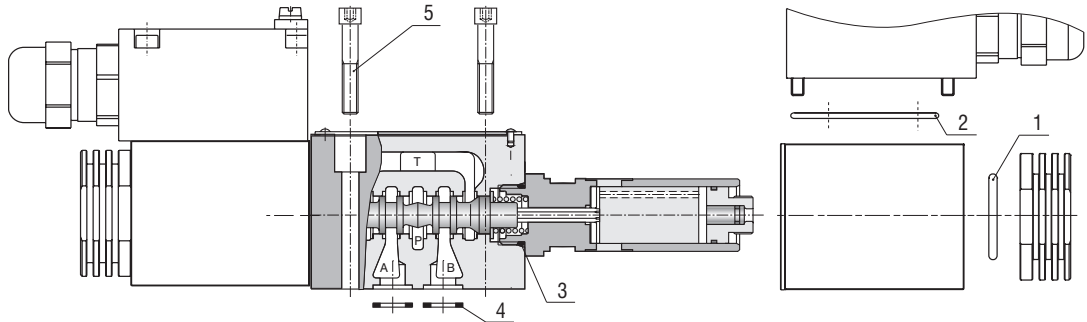
All dimensions are indicated in millimeters [mm].

7 Explosion Proof Valves (ATEX/IECEX)

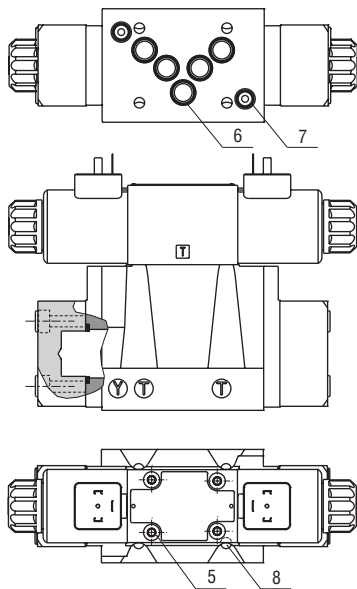
Product (Datasheet): **RNEXH1-10 (4077), RNEXH5-16 (4058), RNEXH4-25 (4059)**

**RPEX3-06**

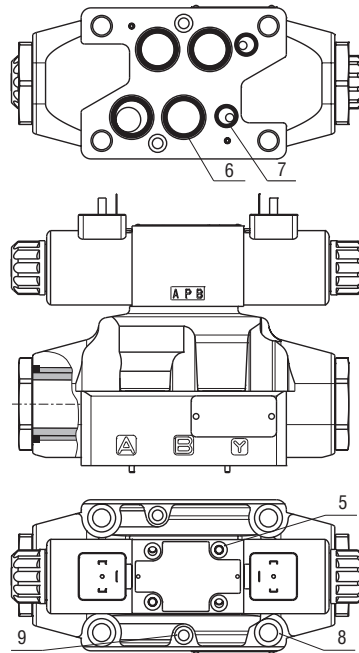
- 1, 2 - O-ring
- 3 - O-ring
- 4 - Square ring (NBR),  
O-ring (FPM)
- 5 - Mounting bolt



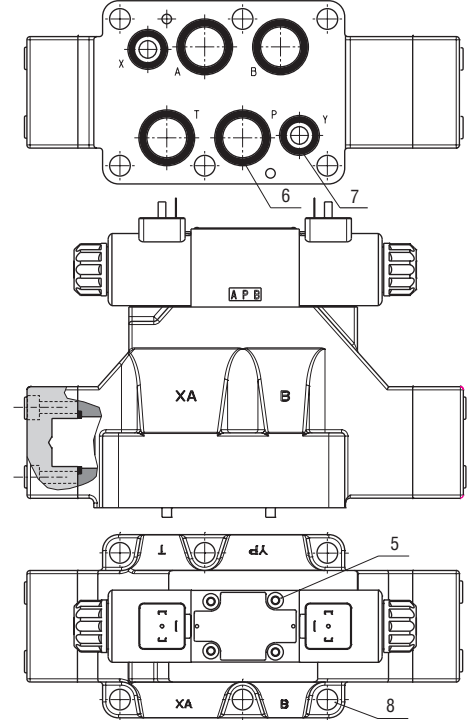
**RNEXH1-10**



**RNEXH5-16**



**RNEXH4-25**



All dimensions are indicated in millimeters [mm].

Position	RPEX3-06						Ordering No.	
1	Seal	Pos.	O-ring	Pcs			43928800	
	VMQ (Silikon)	1	21.89x2.62	1				
2	Seal	Pos.	O-ring	Pcs			34950700	
	VMQ (Silikon)	2	46x2	1				
3+4	Seal Kit	Pos.	O-ring	Pcs	Pos.	Ring	Pcs	Ordering No.
	NBR	3	17x1.8	2	4	Square ring 9.25x1.68	4	15845200
	FPM		17.17x1.78	2		O-ring 9.25x1.78	4	15845400
5	Bolt Kit	Pos.			Pcs			Ordering No.
Mounting bolts for steel plates	5		Bolt M5x45	4		for studs see Datasheet 0020		15845100

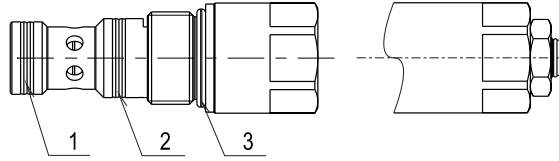
Position	RNEH1-10						Ordering No.	
6+7	Seal Kit	Pos.	O-ring	Pcs	Pos.	O-ring	Pcs	Ordering No.
	NBR	6	12.42x1.78	5	7	9.25x1.78	2	40075900
	FPM			5			2	On request
8	Bolts	Pos.		Pcs				
Mounting bolts	8		Bolt M6x35	4		Mounting bolts for steel plates are not available		
Position	RNEH5-16						Ordering No.	
6+7	Seal Kit	Pos.	O-ring	Pcs	Pos.	O-ring	Pcs	Ordering No.
	NBR	6	22.22x2.62	4	7	10.82x1.78	2	40076000
	FPM			4			2	On request
8+9	Bolts	Pos.		Pcs				
Mounting bolts	8,9		Bolt M10x60, M6x50	4+2		Mounting bolts for steel plates are not available		
Position	RNEH4-25						Ordering No.	
6+7	Seal Kit	Pos.	O-ring	Pcs	Pos.	O-ring	Pcs	Ordering No.
	NBR	6	29.82x2.62	4	7	20.29x2.62	2	40076200
	FPM			4			2	On request
8	Bolts	Pos.		Pcs				
Mounting bolts	8		Bolt M12x60	6		Mounting bolts for steel plates are not available		

**15 Logic Valves**

Product (Datasheet): **SL2H-BP3\*(5044), (5043), SL2H-CP3\*(5088), (5089)**

**Cavity BP3, CP3**

1, 2, 3 - seal



Position		SL2H-BP3/H2I11*, SL2H-BP3/H2I12*															
1-3	Seal Kit	Pos.	Dual-Seal PU		Pcs	Pos.	Dual-Seal PU		Pcs	Pos.	O-ring		Pcs	Ordering No.			
	NBR		15,07x17x47x3,1	1			2	16,65x19,05x3,1			1	3			19,4x2,1 NBR70	1	40771600
	FPM		15,07x17x47x3,1	1			2	16,65x19,05x3,1			1	3			19,4x2,1 V80	1	40768400
Pozice		SL2H-CP3/H2I11*, SL2H-CP3/H2I12*															
1-3	Seal Kit	Pos.	Dual-Seal PU		Pcs	Pos.	Dual-Seal PU		Pcs	Pos.	O-ring		Pcs	Ordering No.			
	NBR		19,62x22,22x3,8	1			2	21,2x23,8x3,8			1	3			23.47x2.95 NBR90	1	47003513
	FPM		19,62x22,22x3,8	1			2	21,2x23,8x3,8			1	3			23.47x2.95 V90	1	47003514

All dimensions are indicated in millimeters [mm].



Ordering Code

SP - [ ] - [ ] - [ ] / [ ]

Spare parts

Group

Bolt kit  
Fork kit  
Nut kit  
Nut kit for double coil valve  
Seal kit  
Orifice  
Spool and position sensor  
Soft-shift  
Connector

BK  
FK  
NK  
DNK  
SK  
O  
SPS  
SS  
C

Bolt kit - size definition

Bolt kit - for DN04  
Bolt kit - for DN06  
Bolt kit - for DN10

BK  
DN04  
DN06  
DN10

Fork kit - size definition

Fork SLIP-IN M8 + Bolt M8x16

FK  
M8

Nut kit - definition

Sada matice - definice

SIC  
CETOP  
SIC + CETOP  
ATEX

NK (DNK)  
S  
C  
SC  
E

Seal kit - definition

Cavity / Valve size

SK  
example - A2 /DN04

Orifice - definition

Valve size  
Valve size  
Valve size  
Valve size

O  
DN03  
DN04  
DN06  
DN10

Spool and position sensor - definition

normally-open sensor (210 bar)  
normally-closed sensor (210 bar)

SPS  
S1  
S4

Soft-shift definition

Orifice Ø0.6 mm (0.02 inch) in T line bridge  
Adjustable needle valve in T line bridge

SS  
T2  
T3

Connector

FEMALE-CAN open (optional)  
FEMALE, exter.feedback (optional)  
only for E03 and E04S01 configurations  
M23  
G4W1FSW  
CM06EA14S-61S

C  
M12x1-5PIN-FEMALE-CAN  
M12x1-5PIN-FEMALE-FEEDBACK  
M12x1-5PIN-MALE  
M23-7PIN-FEMALE  
G4W1FSW  
CM06EA14S-61S

S  
N2  
N3  
N4  
N5  
N7  
N9  
M7  
M9  
M10

NK (DNK)  
Standard  
manual override N2  
manual override N3  
manual override N4  
manual override N5  
manual override N7  
manual override N9  
manual override M7  
manual override M9  
manual override M10

O  
070  
080  
100  
120  
150  
200  
220  
250  
400

0.7 mm (0.028 in)  
0.8 mm (0.031 in)  
1.0 mm (0.039 in)  
1.2 mm (0.042 in)  
1.5 mm (0.059 in)  
2.0 mm (0.079 in)  
2.2 mm (0.087 in)  
2.5 mm (0.098 in)  
4.0 mm (0.157 in)

N  
V  
H  
S

SK  
NBR  
FPM  
HNBR  
VMQ

14  
19  
22  
31  
X  
2X

NK (DNK)  
Core tube outer diameter  
Core tube outer diameter  
Core tube outer diameter  
Core tube outer diameter  
Atex coil („Ex-m“)  
Atex coil („Ex-d“)

M5x35  
M4x12  
M4x12 + M4x10  
M5x30  
M5x45  
M6x40  
M6x45

BK  
Size  
Size  
Size  
Size  
Size  
Size  
Size

