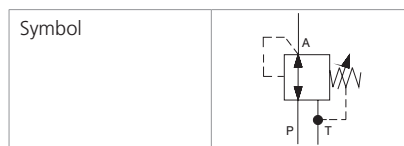

Technical Features

- › Excellent stability throughout flow range with rapid response to dynamic pressure changes
- › Low hysteresis, accurate pressure control and low pressure drop
- › Wide pressure range up to 420 bar
- › Hardened precision parts
- › Adjustable by allen key or hand screw
- › In the standard version, the valve is zinc-coated for 240 h protection acc. to ISO 9227

Functional Description

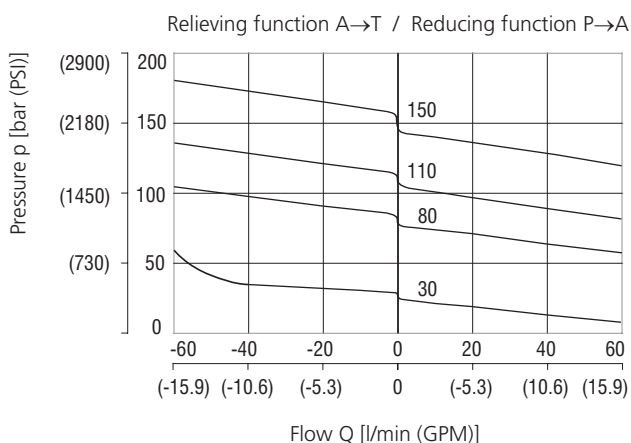
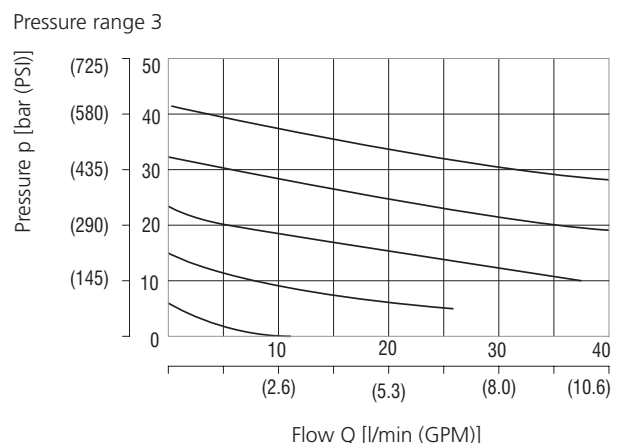
The valve provides an adjustable regulated pressure level below supply pressure. This direct acting model is suitable for applications with lower flow rates and lower regulated pressures. In cases of shock or surge pressures in the downstream line the valve acts as a relief valve, directing excessive pressure and flow to the tank.


Technical Data

Valve size / Cartridge cavity		7/8-14 UNF-2A / B3			
Max. flow	l/min (GPM)	60 (15.9)			
Pressure range		3	8	11	15
Max. operating pressure	bar (PSI)	420 (6090)			
Reduced pressure range (at Q = 5 l/min)	bar (PSI)	10-30 (150-440)	20-80 (290-1160)	30-110 (440-1600)	40-150 (580-2180)
Max. back pressure (port T)	bar (PSI)	200 (3626)			
Fluid temperature range (NBR)	°C (°F)	-30 ... +100 (-22 ... 212)			
Fluid temperature range (FPM)	°C (°F)	-20 ... +120 (-4 ... 248)			
Weight	kg (lbs)	0.26 (0.57)			

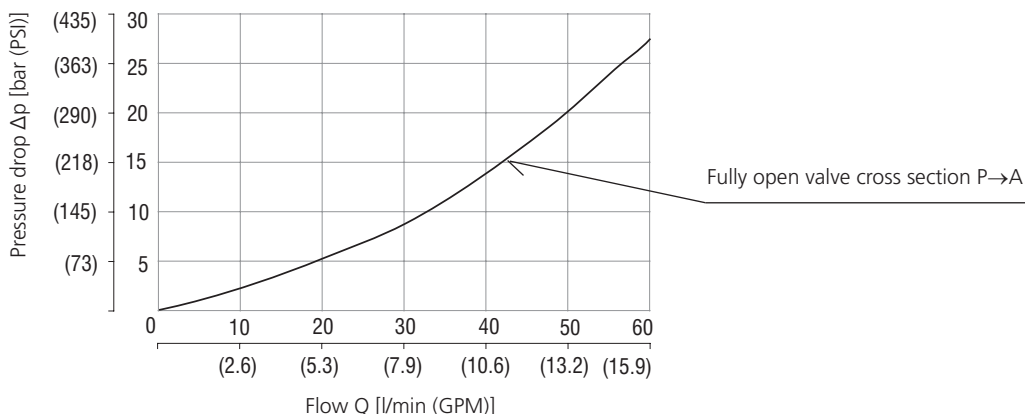
	Datasheet	Type
General information	GI_0060	Products and operating conditions
Valve bodies	In-line mounted	SB-B3*
	Sandwich mounted	SB-*-B3*
Cavity details / Form tools	SMT_0019	SMT-B3*
Spare parts	SP_8010	

Characteristics measured at $v = 32 \text{ mm}^2/\text{s}$ (156 SUS)

Reducing - relieving pressure related to flow rate

Minimum reducing pressure related to flow rate


Characteristics measured at $v = 32 \text{ mm}^2/\text{s}$ (156 SUS)

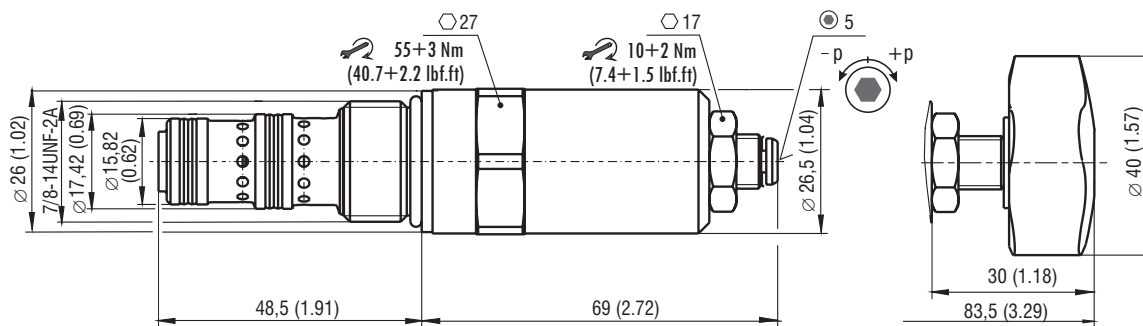
Pressure drop related to flow rate



Dimensions in millimeters (inches)

Model S

Model RP



Ordering Code

SP2A-B3 / -

<p>Pressure reducing - relieving valve, spool type, direct acting 7/8-14 UNF</p>	<p>Surface treatment A zinc-coated (ZnCr-3), ISO 9227 (240 h) B zinc-coated (ZnNi), ISO 9227 (520 h)</p>								
<p>Model High performance H</p>	<p>Seals NBR FPM (Viton)</p>								
<p>Reduced pressure range (at Q = 5 l/min)</p> <table border="0"> <tr> <td>10 - 30 bar (150 - 440 PSI)</td> <td>3</td> </tr> <tr> <td>20 - 80 bar (290 - 1160 PSI)</td> <td>8</td> </tr> <tr> <td>30 - 110 bar (290 - 1600 PSI)</td> <td>11</td> </tr> <tr> <td>40 - 150 bar (580 - 2180 PSI)</td> <td>15</td> </tr> </table>	10 - 30 bar (150 - 440 PSI)	3	20 - 80 bar (290 - 1160 PSI)	8	30 - 110 bar (290 - 1600 PSI)	11	40 - 150 bar (580 - 2180 PSI)	15	<p>No designation</p> <p>Adjustment option allen key (hex. 5), without protective cap hand screw, plastic</p>
10 - 30 bar (150 - 440 PSI)	3								
20 - 80 bar (290 - 1160 PSI)	8								
30 - 110 bar (290 - 1600 PSI)	11								
40 - 150 bar (580 - 2180 PSI)	15								
<p>S RP</p>									