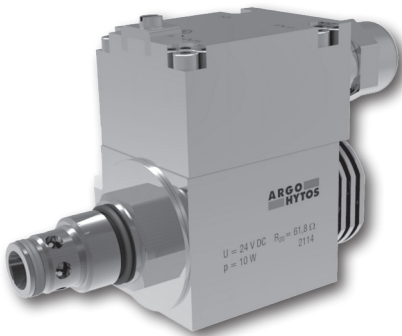


Explosion Proof 2/2 Directional Valve, Solenoid Operated, Poppet Type, Piloted

**SD3EX-B2**

7/8-14 UNF • Q<sub>max</sub> 75 l/min (20 GPM) • p<sub>max</sub> 420 bar (6100 PSI)



**Technical Features**

- › Valve and solenoid design prevents a surface temperature capable of igniting
- › Solenoid coil in acc. with directive 2014/34/EU (ATEX) for explosion-hazard zones
- › Explosion protection for gas, dust, and mining; solutions for all zones
- › Solenoid with encapsulated enclosure
- › Hardened precision parts
- › High flow capacity, transmitted hydraulic power and leak-free closing
- › All ports may be fully pressurised
- › Wide range of manual overrides available
- › Coils interchangeable within Argo-Hytos ATEX/IECEX product line
- › In the standard version, the valve is zinc-coated for 520 h protection acc. to ISO 9227

**Technical Data**

Valve size / Cartridge cavity		7/8-14 UNF-2A / B2	
Max. flow	l/min (GPM)	75 (19.8)	
Max. operating pressure	bar (PSI)	420 (6090)	
Fluid temperature range	°C (°F)	-30 ... +70 (-22 ... +158)	
Max. switching frequency	1/h	15 000	
Mass with coil	kg (lbs)	1.60 (3.53)	
Technical Data - Explosion proof solenoid			
Voltage type		AC 50 / 60 HZ	DC
Available voltages	V	110, 230	12, 24, 48, 110
Available nominal power	W	10	
Supply voltage tolerance	%	AC, DC ± 10	
Duty cycle		S1 (100 % ED)	
Enclosure type acc. to EN 60529		IP 65	
Mass (solenoid only)	kg (lbs)	1.3 (2.87)	
Ambient temperature range			
Temperature class / Nominal power	T4 / 10 W	°C (°F)	-30 ... +70 (-22 ... +158)
	T5 / 10 W		-30 ... +55 (-22 ... +131)
	T6 / 10 W		-30 ... +45 (-22 ... +113)

**ATEX/IECEX Classification**

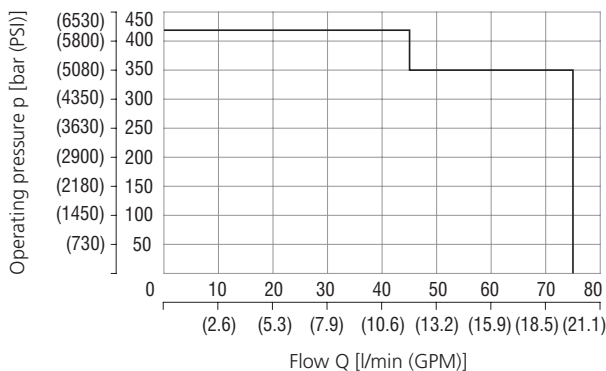
	EPS14ATEX1744 X
AC	Ex I M2 Ex mb I Mb
	Ex II 2G Ex mb IIB T4, T5, T6 Gb
	Ex II 2D Ex mb IIIC T135°C, T100°C, T85°C Db
DC	Ex I M2 Ex e mb I Mb
	Ex II 2G Ex e mb IIB T4, T5, T6 Gb
	Ex II 2D Ex tb IIIC T135°C, T100°C, T85°C Db
	IECEX EPS14.0064 X
AC	Ex mb I Mb
	Ex mb IIB T4, T5, T6 Gb
	Ex mb IIIC T135°C, T100°C, T85°C Db
DC	Ex e mb I Mb
	Ex e mb IIB T4, T5, T6 Gb
	Ex tb IIIC T135°C, T100°C, T85°C Db

	Datasheet	Type
General information	GI_0060	Products and operating conditions
Coil types	C_8007	74 EX 18
Valve bodies	In-line mounted	SB_0018
	Sandwich mounted	SB-04(06)_0028
Cavity details / Form tools	SMT_0019	SMT-B2*
Spare parts	SP_8010	

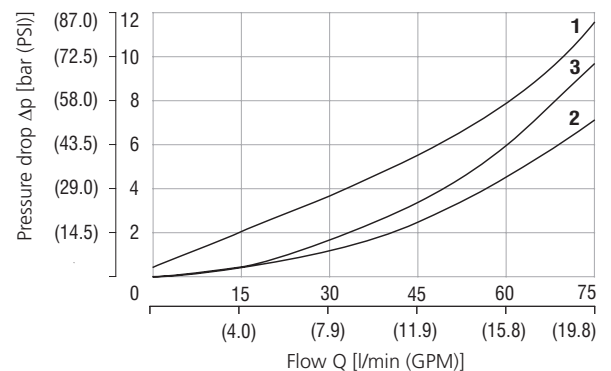
**Characteristics** measured at v = 32 mm<sup>2</sup>/s (156 SUS)

**Operating limits**

Ambient temperature 70 °C (158 °F), Voltage U<sub>n</sub> -10 % (24 V DC), Power P<sub>n</sub> 10 W



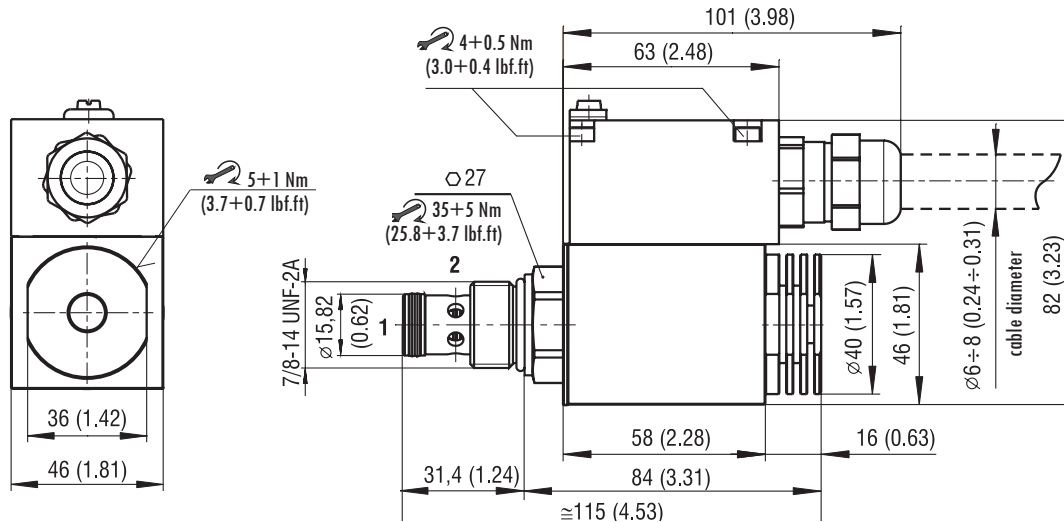
**Pressure drop related to flow rate**



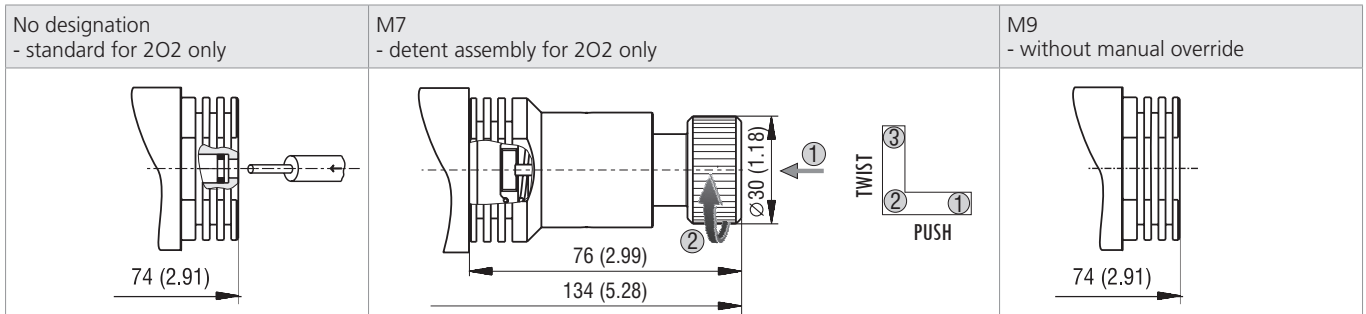
	Model	Direction	Solenoid	Model	Direction	Solenoid
1	2L2	1→2	OFF	2	2O2	1→2
2	2L2	2→1	ON	3	2O2	2→1
2	2L2	1→2	ON			

For operating limits under conditions other than shown contact the technical support.

**Dimensions** in millimeters (inches)



**Manual Override** in millimeters (inches)



In case of solenoid malfunction or power failure, the spool of the valve can be shifted by manual override. For alternative manual overrides contact our technical support.

**Ordering Code**

<b>SD3EX-B2 /</b> [ ] [ ] / [ ] [ ] [ ] [ ] [ ] [ ] - [ ]	
<b>Explosion proof 2/2 directional valve, solenoid operated, poppet type, piloted</b> 7/8-14 UNF	<b>Surface treatment</b> B zinc-coated (ZnNi), ISO 9227 (520 h)
High performance H	<b>Seals</b> No designation NBR
<b>Model / Symbol</b>	<b>Manual override</b> No designation standard for 202 only M7 detent assembly for 202 only M9 without manual override
202 2L2	<b>Cable length</b> No designation (only for DC) without cable 3 (AC and DC version) 3000 mm 8 (AC and DC version) 8000 mm
<b>DC voltage connection box + cable gland</b>	<b>Temperature class - solenoid nominal power</b>
12 V DC / 0.75 A 01200 24 V DC / 0.39 A 02400 48 V DC / 0.19 A 04800 110 V DC / 0.094 A 11000	class T4 - 10 W class T6 (T5) - 10 W
<b>AC voltage 50/60 Hz, fix installed cable</b>	A4 A6
110 V AC / 0.112 A 11050 230 V AC / 0.052 A 23050	

Besides the shown, commonly used valve versions other special models are available. Contact our technical support for their identification, feasibility and operating limits.

## Marking Example

### Solenoid Marking

74 EX18 046A A024	
UN=24VDC Ig=0,34A R20=61,8Ω	
IP65	CE 0408
EPS14ATEX1744 X	
⊕ Ex I M2 Ex e mb I Mb	1234/01
⊕ Ex II 2G Ex e mb IIB T4 Gb	
⊕ Ex II 2D Ex tb IIIC T135°C Db	
IECEX EPS14.0064 X	
Ex e mb I Mb	02/14
Ex e mb IIB T4 Gb	
Ex tb IIIC T135°C Db	
-40 °C ≤ Tamb ≤ +70 °C	

74 EX18 046A A024	
UN=24VDC Ig=0,34A R20=61,8Ω	
IP65	CE 0408
EPS14ATEX1744 X	
⊕ Ex I M2 Ex e mb I Mb	1234/01
⊕ Ex II 2G Ex e mb IIB T6 Gb	
⊕ Ex II 2D Ex tb IIIC T85°C Db	
IECEX EPS14.0064 X	
Ex e mb I Mb	02/14
Ex e mb IIB T6 Gb	
Ex tb IIIC T85°C Db	
-40 °C ≤ Tamb ≤ +45 °C	

### Group I (Mining)

⊕ Ex	ATEX mark of conformity to the 2014/34/EU directive and to the applicable technical norms
I	Group I for mines
M2	High protection - equipment category
Ex e mb	Type of protection: e - increased safety, mb - encapsulated
I	Gas group (methane)
Mb	Equipment protection level - high level protection for explosive atmosphere

### Group II

⊕ Ex	ATEX mark of conformity to the 2014/34/EU directive and to the applicable technical norms
II 2G	Solenoid for surface plants with gas and vapors environment for zones 1 and 2
II 2D	Solenoid for surface plants with dust environment for zones 21 and 22
Ex e mb	Type of protection: e - increased safety, mb - encapsulated
Ex tb	Type of protection: tb - protection by enclosure
IIB	Equipment suitable for substances (gas) of group IIB
IIIC	Equipment suitable for conductive dust
T6/T4	Temperature class (maximum solenoid surface temperature)
T85/T135	Maximum solenoid surface temperature
Gb	Equipment protection level - high level protection for explosive gas atmosphere
Db	Equipment protection level - high level protection for explosive dust atmosphere

**Initial installation**

- › The ambient temperature range shall not exceed the temperatures given in chapter 2. The maximum temperature of the medium (generally hydraulic fluid) shall not exceed 70 °C (158 °F).
- › It is the user's duty to ensure free and unhindered heat emission during operation. This means that the solenoid shall neither be covered nor stored immediately adjacent to heat sources (e.g. fan heaters) during operation.
- › The solenoid shall not be subjected to direct sunlight during operation.

**Installation notice - installation, mounting, demounting**

- › Using the V DC type for temperature class T4 requires a cable with an operating temperature limit of at least +105 °C (221 °F), e.g. LAPP FD Robust. T5 and T6 require a cable with an operating temperature limit of at least +90 °C (194 °F). The fastening torque on the cable gland depends of the used cable and is to be determined by the installing user.
- › When installing the V DC solenoid, the fastening torque of the screws shall be [4 Nm (2.95 lbf.ft)] and for the BARTEC connection box [0.4 Nm (0.30 lbf.ft)].
- › When installing the V DC solenoid, an appropriate cable shoe of size M3 with a crosssectional area of 0.75mm<sup>2</sup> with an operating temperature limit of at least +105 °C (221 °F) is to be used.
- › The user has to safeguard each solenoid with a fuse:  $I_n \leq 3I_{G}$ , with trigger characteristic "slow blow". ( $I_G$  values see Operating Instructions HA 4090 - Table 2). The breaking capacity of the fuse link has to be stronger than the maximum short circuit current at the user's operating area.
- › EX-secured components must be used during mounting in case the fuse and/or the interface are within the EX-range.

**Safety notice - Please read carefully**

- › In case the solenoid shows any signs of a defect, malfunctioning or external damage (including corrosion), the device must immediately be taken out of operation.
- › Any deposits on the surface of the device shall not obstruct heat emission.
- › To maintain legibility of the data plate, the solenoid must not be coated.

**Caution**

- › Always disconnect the solenoid from the power supply before any maintenance or other work on it.
- › Always exchange the complete solenoid. Do not try to repair the solenoid.
- › Under no circumstances shall any changes be made to the solenoid or the connecting cable.
- › Never operate the solenoid when disconnected from the valve body.
- › Demount the solenoid only in secure areas (not in EX-areas). If this is not possible, the solenoid must cool off for at least 10 minutes.

