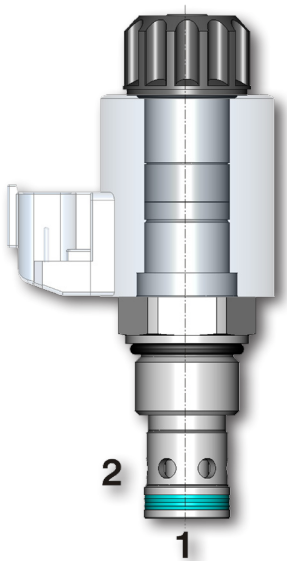


2/2 Directional Valve, Solenoid Operated, Poppet Type, Piloted

SD3E-C2*2O2(2L2) 1-1/16-12 UN • Q_{max} 150 l/min (40 GPM) • p_{max} 350 bar (5100 PSI)



Technical Features

- › Hardened precision parts
- › High flow capacity and leak-free closing
- › High transmitted hydraulic power, max. pressure 350 bar
- › Normally open and normally closed version
- › Wide range of manual overrides available
- › All ports may be fully pressurized
- › Coil interchangeability among SD*- C/H* product line
- › Standard version zinc-coated with surface protection acc. to ISO 9227 (520 h salt spray)

Functional Description

2/2 screw-in cartridge poppet valve, pilot operated. The one-directional valve with 1-1/16-12 UN connection thread is designed for on-off flow control with leak-free closing in 2 → 1 flow direction. In the opposite flow direction the valve is opened by fluid pressure.

Model Code	2O2	2L2
Symbol		

Technical Data

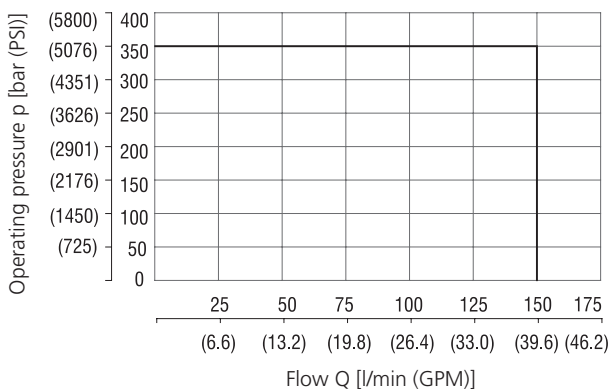
Valve size / Cartridge cavity		1-1/16-12 UN / C2 (VC12-2)
		High performance
Max. flow	l/min (GPM)	150 (39.6)
Max. operating pressure	bar (PSI)	350 (5080)
Fluid temperature range (NBR)	°C (°F)	-30...80 (-22...176)
Fluid temperature range (FPM)	°C (°F)	-20...80 (-4...176)
Ambient temperature range	°C (°F)	-30...80 (-22...176)
Supply voltage tolerance	%	AC, DC: ± 15
Max. switching frequency	1/h	7 000
Weight without coil	kg (lbs)	0.40 (0.88)

	Datasheet	Type
General information	GI_0060	Products and operating conditions
Coil types	C_8007	C22B*
Valve bodies	In-line mounted	SB_0018
	Sandwich mounted	SB-04(06,10)_0028
Cavity details / Form tools	SMT_0019	SMT-C2*
Spare parts	SP_8010	

Characteristics measured at v = 32 mm²/s (156 SUS)

Operating limits - High performance

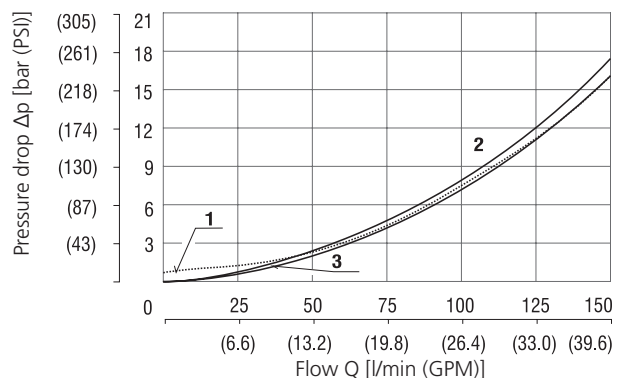
Oil 80 °C (176 °F) / Ambient temperature
50 °C (122 °F) / Voltage U_n -10% (21.6 V DC)



	Model	Connection
1	2L2	1→2, 2→1
1	2O2	1→2, 2→1

Pressure drop related to flow rate - High performance

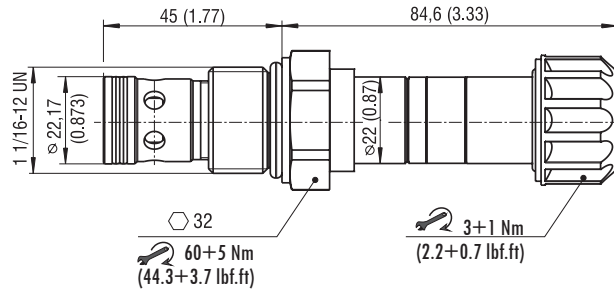
- High performance



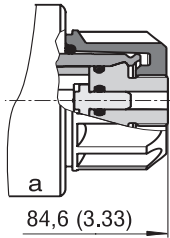
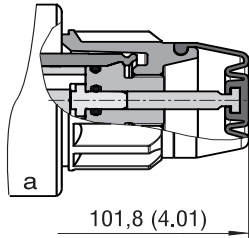
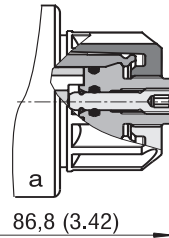
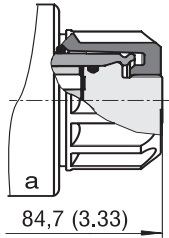
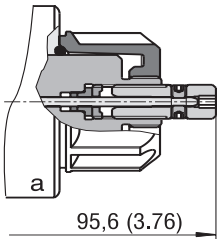
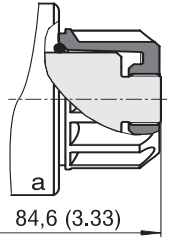
	Model	Connection	Solenoid
1	2L2	1→2	off
2	2L2	2→1	on
3	2L2	1→2	on
2	2O2	1→2	off
3	2O2	2→1	off

Dimensions in millimeters (inches)

High performance



Manual Override in millimeters (inches)

No designation - for 2O2 - standard	Designation M2 for 2O2 - rubber boot protected	Designation M5 - for 2O2 - socket head screw, hex. 2.5	Designation M9 - for 2O2 - without manual override
 84,6 (3.33)	 101,8 (4.01)	 86,8 (3.42)	 84,7 (3.33)
		Designation M5 - for 2L2 - socket head screw, hex. 2.5	Designation M9 - for 2L2 - without manual override
		 95,6 (3.76)	 84,6 (3.33)

In case of solenoid malfunction or power failure, the valve poppet can be shifted by manual override under the condition that the pressure in the back line does not exceed 25 bar (363 PSI). For alternative manual overrides contact our technical support.

Ordering Code

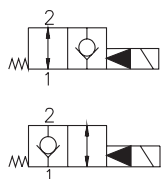
SD3E - C2 / H **- B**

2/2 directional valve, solenoid operated, poppet type, piloted

Valve cavity
1-1/16-12 UN / C2 (VC12-2)

Model
High performance

Model



2O2

2L2

Surface treatment
zinc-coated (ZnNi), ISO 9227 (520 h)

No designation
V

Seals
NBR
FPM (Viton)

No designation
M2
M5
M9

Manual override
standard for 2O2
rubber boot protected for 2O2
socket head screw (hex. 2.5)
without manual override