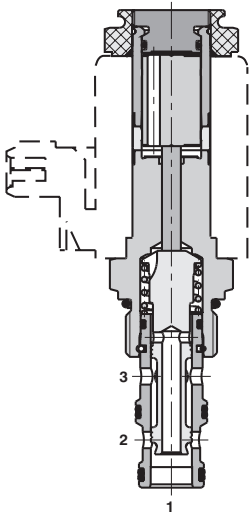


3/2 Directional Valve, Solenoid Operated, Spool Type, Direct Acting

SD2E-B3

7/8-14 UNF • Q_{max} 60 l/min (16 GPM) • p_{max} 350 bar (5100 PSI)

Lightline



Technical Features

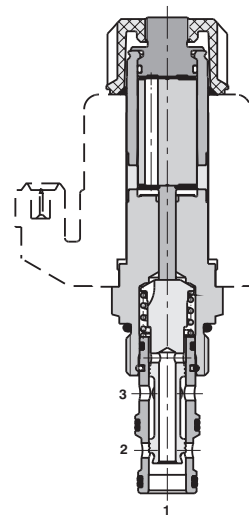
- › Hardened precision parts
- › High flow capacity
- › High transmitted hydraulic power
- › Wide range of manual overrides available
- › All ports may be fully pressurized
- › Variety of optional spools available
- › Coil interchangeability among SD*-B* product line
- › Standard version zinc-coated with surface protection acc. to ISO 9227 (240 h salt spray)

Functional Description

3-way, 2-position high pressure directional spool valve in form of a screw-in cartridge. The valve is used mainly to direct flow to actuators.

Model Code	2D21	2D25	2D26	2D34
Symbol				

High performance



Technical Data

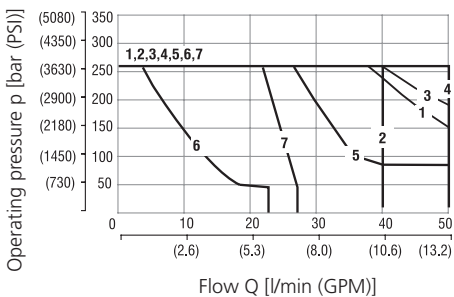
Valve size / Cartridge cavity		7/8-14 UNF-2A / B3 (C-10-3)	
		Lightline	High performance
Max. flow	l/min (GPM)	50 (13.2)	60 (15.9)
Max. operating pressure	bar (PSI)	250 (3630)	350 (5080)
Fluid temperature range (NBR)	°C (°F)	-30...60 (-22...140)	-30...80 (-22...176)
Fluid temperature range (FPM)	°C (°F)	-20...60 (-4...140)	-20...80 (-4...176)
Ambient temperature range	°C (°F)	-30...50 (-22...122)	-30...80 (-22...176)
Supply voltage tolerance	%	AC, DC: ± 10	AC, DC: ± 15
Max. switching frequency	1/h	15 000	
Weight without coil	kg (lbs)	0.24 (0.53)	0.31 (0.68)

General information		Type	
GI_0060		Products and operating conditions	
Coil types	C_8007	C19B*	C22B*
Valve bodies	In-line mounted	SB-B3*	
	Sandwich mounted	SB-*B3*	
Cavity details / Form tools		SMT-B3*	
Spare parts		SP_8010	

Characteristics measured at v = 32 mm²/s (156 SUS)

Operating limits - Lightline

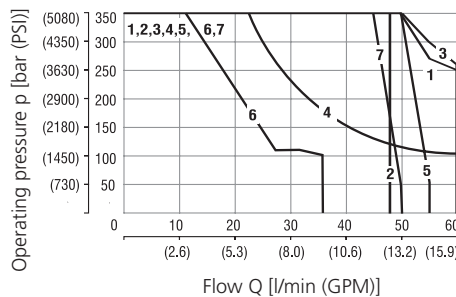
Oil 60 °C (140 °F) / Ambient temperature
50 °C (122 °F) / Voltage U_n -10% (21.6 VDC)



	Model	Connection
1	2D21	3→2
2	2D21, 2D26	2→1
3	2D25	3→2
4	2D25	2→1
5	2D26	3→2
6	2D34	3→1
7	2D34	2→1

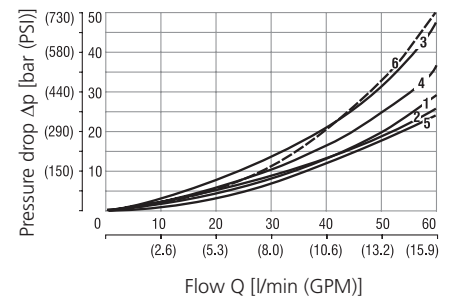
Operating limits - High performance

Oil 80 °C (176 °F) / Ambient temperature
50 °C (122 °F) / Voltage U_n -10% (21.6 VDC)



	Model	Connection
1	2D21	3→2
2	2D21	2→1
3	2D25	3→2
5	2D25, 2D26	2→1
4	2D26	3→2
6	2D34	3→1
7	2D34	2→1

Pressure drop related to flow rate
- Lightline, High performance

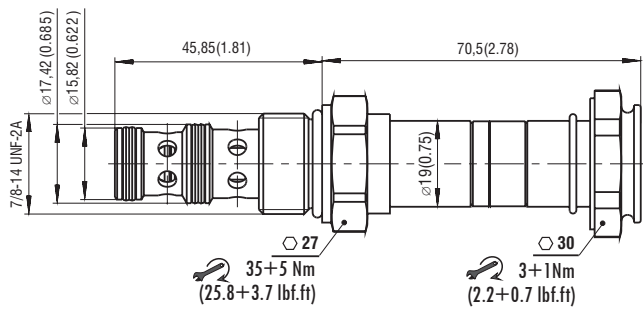


	Model	Connection
1	2D21, 2D26	2→1
2	2D21	3→2
3	2D25	3→2
4	2D25, 2D34	2→1
1	2D26	3→2
5	2D34	3→1
6	2D34	2→1

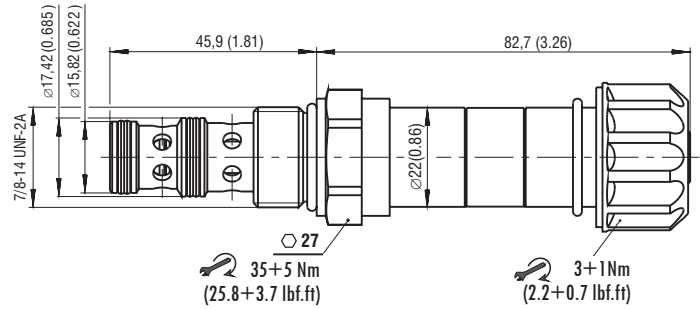
For operating limits under conditions and flow directions other than shown contact our technical support.

Dimensions in millimeters (inches)

Lightline



High performance



Manual Override in millimeters (inches)

No designation - standard	Designation M2 - rubber boot protected	Designation M5 - socket head screw, size 2.5	Designation M9 - without manual override
<p>L ~ 70,5 (2.78) H ~ 82,7 (3.26)</p>	<p>L ~ 82,0 (3.23) H ~ 100,0 (3.94)</p>	<p>L ~ 78,1 (3.07) H ~ 84,8 (3.34)</p>	<p>L ~ 70,5 (2.78) H ~ 82,7 (3.26)</p>

In case of solenoid malfunction or power failure, the valve spool can be shifted by manual override under the condition that the pressure in the back line does not exceed 25 bar (363 PSI). For alternative manual overrides contact our technical support.

Ordering Code

SD2E-B3 / -

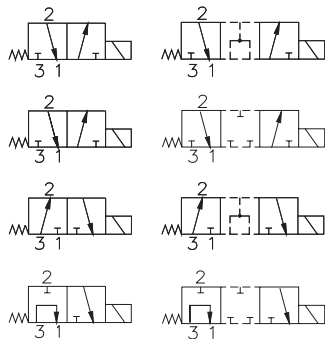
3/2 directional valve, solenoid operated, spool type, direct acting

Valve cavity
7/8-14 UNF (C-10-3)

Provedení
Lightline
High performance

L
H

Functional symbol



2D21
2D25
2D26
2D34

Surface treatment
A zinc-coated (ZnCr-3), ISO 9227 (240 h)
B zinc-coated (ZnNi), ISO 9227 (520 h)

No designation
V

Seals
NBR
FPM (Viton)

No designation
M2
M5
M9

Manual override
standard
rubber boot protected
socket head screw
without manual override