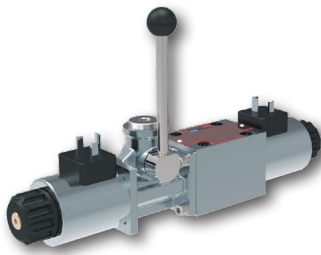


Solenoid Operated Directional Control Valve with Auxiliary Lever Override

**RPER3-06**

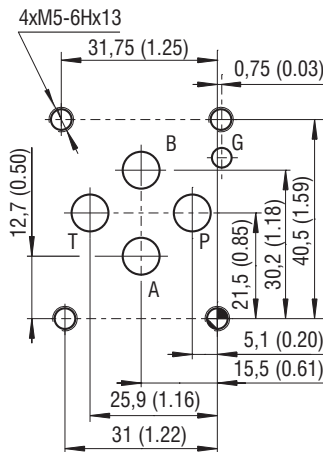
Size 06 (D03) • Q<sub>max</sub> 80 l/min (21 GPM) • p<sub>max</sub> 350 bar (5100 PSI)



**Technical Features**

- › Auxiliary lever overrides for ON-OFF solenoid valves of the type RPE3-06 (Datasheet No. 4010) with Size 06 and mounting interface acc. to ISO 4401, DIN 24340 (CETOP 03)
- › Auxiliary lever operators allow the valve to be operated when electrical system is de-energized, e.g. emergency operation, electrical failures, maintenance activities
- › Manual lever and actuation element can be rotated in 90° increments for flexible installation
- › When the valve is electrically operated the hand lever remains stopped in its neutral position
- › The lever override does not affect the performances of the base valve
- › In the standard version, the valve housing is phosphated for basic surface corrosion protection and as preparation for painting. Steel parts are zinc-coated for 240 h salt spray protection acc. to ISO 9227
- › Enhanced surface protection for mobile sector available for the valve housing and steel parts (ISO 9227, 520 h salt spray)

ISO 4401-03-02-0-05



Ports P, A, B, T - max. Ø7.5 mm (0.9 in)

**Technical Data**

Valve size	06 (D03)	
Max. flow	l/min (GPM)	80 (21.1)
Max. operating pressure at port P, A, B	bar (PSI)	350 (5080)
Max. operating pressure at port T	bar (PSI)	100 (1450)
Fluid temperature range (NBR)	°C (°F)	-30 ... +80 (-22 ... +176)
Fluid temperature range (FPM)	°C (°F)	-20 ... +80 (-4 ... +176)
Ambient temperature range	°C (°F)	-30 ... +50 (-22 ... +122)
Service life	cycles	10 <sup>6</sup>
Rated power supply voltage	%	AC: ±10      DC: ±10
Max. switching frequency	1/h	10 000
<b>Lever characteristics</b>		
Total stroke angle	deg	±20
Working stroke angle		±12 to 20
Operating force	N (lbf)	40 (29.5)
Lever device weight	kg (lbs)	0.59 (1.3)
<b>General information</b>		
Datasheet	Type	
GI_0060	Products and operating conditions	
Coil types / connectors	C_8007 / K_8008	C22B* / K*
Mounting interface	SMT_0019	Size 06
Spare parts	SP_8010	

**Objednáací klíč**

RPER3-06 [ ] [ ] / [ ] [ ] [ ] [ ] / [ ] - [ ] - [ ]

4/2 and 4/3 solenoid operated directional control valve with auxiliary lever override

Valve size

Number of valve positions

two 2  
three 3

Spool symbols

see the table "Spool Symbols"

Rated supply voltage of solenoids

(at the coil terminals)	
12 V DC / 2,72 A	01200
24 V DC / 1,29 A	02400
27 V DC / 1,07 A	02700
205 V DC / 0,15 A	20500
24 V AC / 1,56 A / 50 (60) Hz	02450
120 V AC / 0,26 A / 60 Hz	12060
230 V AC / 0,15 A / 50 (60) Hz	23050

For directional valves with two solenoids, one solenoid must be de-energized before the other solenoid can be charged.  
For AC voltage supply use coils with connector type E5.  
For other solenoid voltage supply options see datasheet C\_8007.  
The solenoid operated valves are delivered without connectors.  
For available connectors see datasheet K\_8008.  
The orifice to the P port can be ordered separately, see datasheet SP\_8010.

Mounting bolts M5 x 45 DIN 912-10.9 or studs must be ordered separately  
Tightening torque is 8.9+1 Nm (6.56+0.7 lbf.ft)

**Surface treatment**  
standard  
No designation  
A zinc-coated (ZnCr-3), ISO 9227 (240 h)  
B zinc-coated (ZnNi), ISO 9227 (520 h)

Lever override length  
standard 102 mm  
No designation

**Manual lever and position of override actuating section**  
A19 standard, lever on side A, upward  
B19 standard, lever on side B, upward

**Seals**  
NBR  
V FPM (Viton)  
No designation

**Manual override at actuator system**  
standard  
No designation

**Connector**  
EN 175301-803-A  
E1 with quenching diode  
E2 AMP Junior Timer - axial direction (2 pins; male)  
E3A with quenching diode  
E4A EN 175301-803-A with integrated rectifier  
E5 loose conductors (two insulated wires)  
E8 E8 with quenching diode  
E9 Deutsch DT04-2P - axial direction (2 pins; male)  
E12A E12A with quenching diode  
E13A

Besides the commonly used valve versions shown other special models are available.  
Contact our technical support for their identification, feasibility and operating limits.

For operating limits and pressure drop refer to Datasheet No. 4010 of the base valve RPE3-06.

**Spool Symbols**

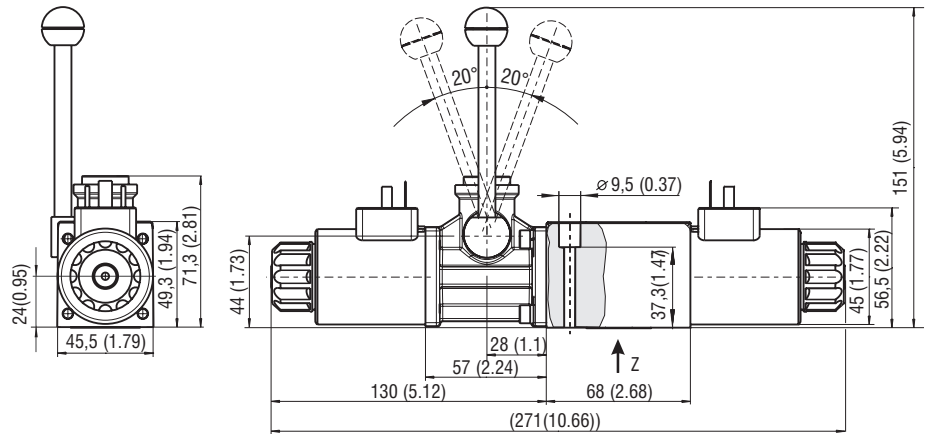
Type	Symbol	Interposition	Type	Symbol	Interposition
Z11			R11		
C11			H51		
H11					
Y11					

**Dimensions** in millimeters (in)

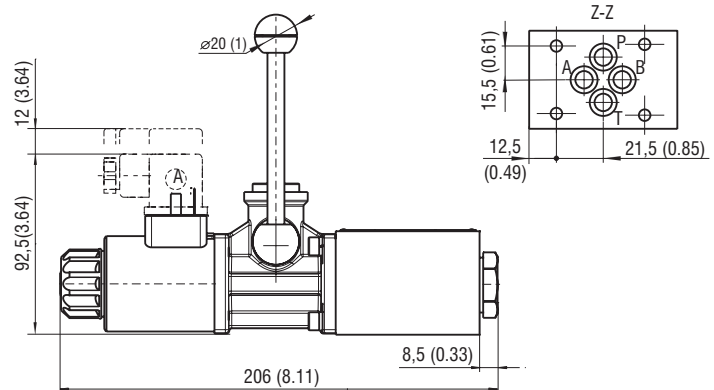


The lever operator should never be used when any solenoid is energized.

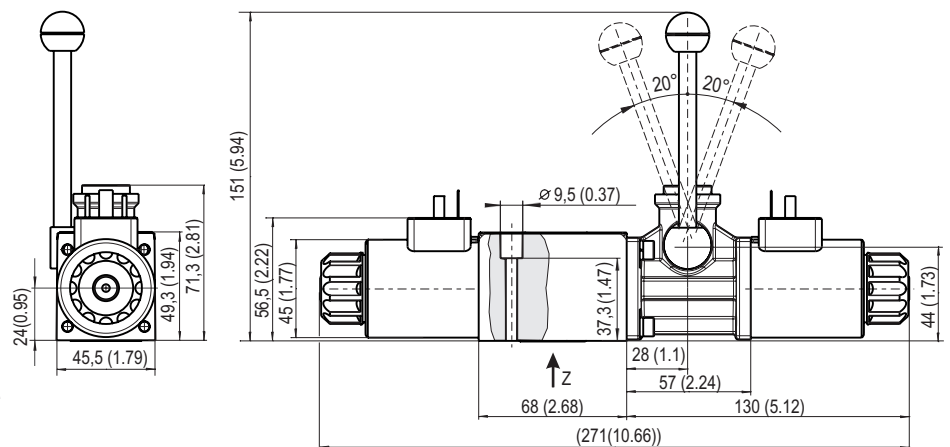
**RPER3-063\*/A19**



**RPER3-062\*/A19**

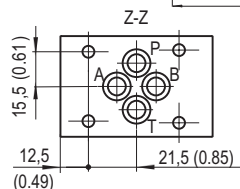


**RPER3-063\*/B19**



Manual lever and actuating section is shown in the standard supplied position which is the most frequently used. Both elements can be rotated to various positions 90° apart. For other positions of lever and actuating section consult our technical department for their identification.

Mounting screws 8.9+1 Nm (6.56+0.7 lbf.ft)  
M5x45 DIN 912-10,9



0,01/100 mm  
0,8 (Rmax. 6,3)  
Required surface quality of the counterpart