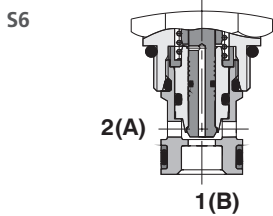
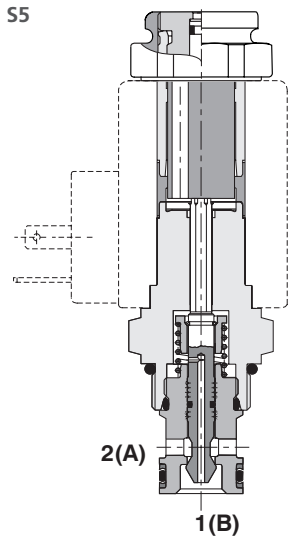


2/2 Solenoid Operated Poppet Valve, Direct Acting

**ROE3-042S5(S6)** M22x1.5 • Q<sub>max</sub> 25 l/min (7 GPM) • p<sub>max</sub> 250 bar (3600 PSI)



**Technical Features**

- › Screw-in cartridge valve with connecting thread M22x1.5
- › All ports may be fully pressurized with maximum pressure 250 bar
- › Valve closes leak-free in both flow directions
- › Precisely manufactured parts and hardened poppet
- › Normally open or normally closed version
- › Optional type of manual override
- › Coil interchangeability among ROE / RPE3-04 product line
- › The valve in standard version is zinc-coated with surface protection 240 h in NSS acc. to ISO 9227

**Functional Description**

2/2 screw-in cartridge poppet valve with connecting thread M22x1.5, solenoid operated, direct acting. The bi-directional valve is used for leak-free closing in both flow directions.

Model Code	S5	S6
Symbol		

**Technical Data**

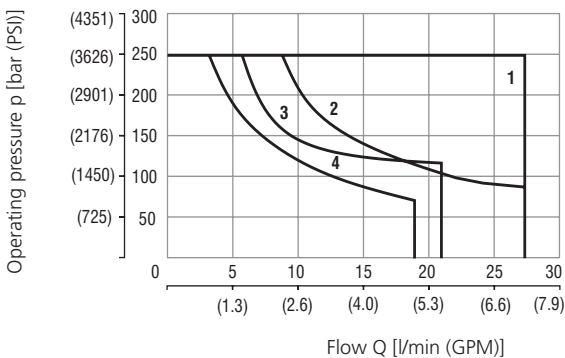
Valve size / Cartridge cavity		M22x1.5 / QG2
Max. flow	l/min (GPM)	25 (6.6)
Max. operating pressure	bar (PSI)	250 (3630)
Fluid temperature range (NBR)	°C (°F)	-30 ... +80 (-22 ... +176)
Fluid temperature range (FPM)	°C (°F)	-20 ... +80 (-4 ... +176)
Ambient temperature	°C (°F)	-20 ... 50 (-4 ... 122)
Supply voltage tolerance	%	AC, DC: ± 10
Max. switching frequency	1/h	15 000
Weight without coil	kg (lbs)	0.2 (0.44)

		Datasheet	Type
General information		GI_0060	Products and operating conditions
Coil types		C_8007	C19B*
Valve bodies	In-line mounted	SB_0018	SB-QG2*
	Sandwich mounted	SB-04 (06)_0028	SB-04-QG2*
Cavity details		SMT_0019	SMT-QG2*
Spare parts		SP_8010	

**Characteristics** measured at v = 32 mm<sup>2</sup>/s (156 SUS)

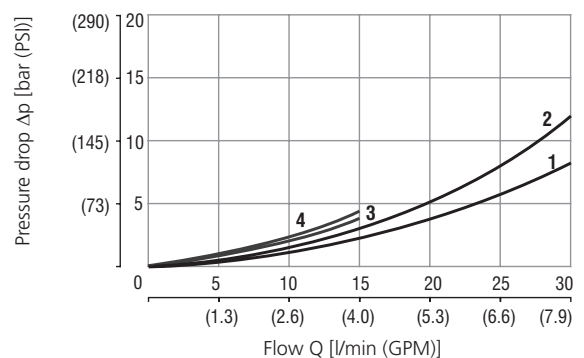
**Operating limits**

Operating limits for maximum hydraulic power at rated temperature and supply voltage equal to 90% nominal.



	Model	Connection
1	S5	2→1
2	S5	1→2
3	S6	2→1*
4	S6	1→2*

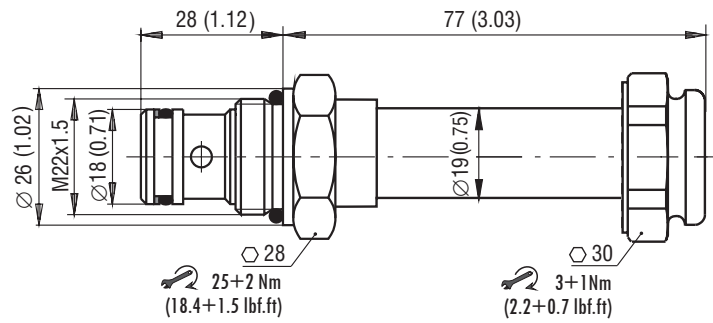
**Pressure drop related to flow rate**



	Model	Connection
1	S5	2→1
2	S5	1→2
3	S6	2→1*
4	S6	1→2*

\* flow up to 15 l/min (4 GPM)

**Dimensions** in millimeters (inches)



**Manual Override** in millimeters (inches)

No Designation - standard	Designation N2 - rubber boot protected	Designation N4 - hand screw

In case of solenoid malfunction or power failure, the valve spool can be shifted by manual override under the condition that the pressure in the back line does not exceed 25 bar (363 PSI). For alternative manual overrides contact our technical support.

**Ordering Code**

**ROE3 - 042**    -

<b>2/2 Solenoid Operated Poppet Valve, Direct Acting</b> M22x1.5					
<b>Valve size</b>					
<b>Functional symbol</b>					
normally closed (NC), blocking		S5			
normally open (NO), blocking		S6			
			<b>No designation</b> N2 N4		
				<b>Surface treatment</b> A zinc-coated (ZnCr-3), ISO 9227 (240 h) B zinc-coated (ZnNi), ISO 9227 (520 h)	
					<b>Seals</b> NBR FPM (Viton)
					<b>Manual override</b> standard rubber boot protected hand screw