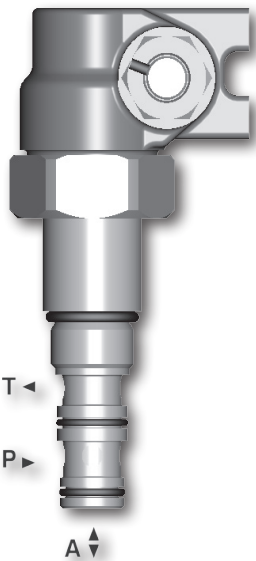


Proportional Pressure Reducing - Relieving Valve, Manually Operated

PVRR1-063

M20x1.5 • Qmax 20 l/min (5 GPM) • pmax 30 bar (435 PSI)



Technical Features

- › Excellent stability throughout flow range with the rapid response to manually adjusted spool position and to dynamic operating pressure changes
- › Low hysteresis, accurate pressure control and low pressure drop
- › Integrated relief function for protection against pressure peaks
- › In the basic position of actuator the output channel A is relieved by connecting to the tank
- › Pressure range up to 10 bar
- › Hardened precision parts
- › In the standard version, the valve is zinc-coated for 240 h protection acc. to ISO 9227

Functional Description

A mechanically direct-operated, spool-type pressure reducing-relieving valve in the form of a screw-in cartridge. Reduced pressure is proportional to manually adjusted stroke of the actuating system. This valve is intended for use as a pressure limiting device. Note: Consult factory for special OEM versions of this product.



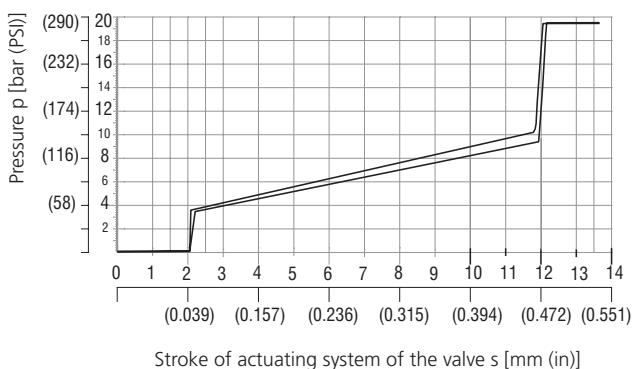
Technical Data

Valve size / Cartridge cavity		M20x1.5 / QE3
Max. pressure (port P)	bar (PSI)	30 (435)
Min. reduced pressure	bar (PSI)	3.5 (51)
Max. reduced pressure	bar (PSI)	10 (145)
Max. flow rate P-A	l/min (GPM)	20 (5.3)
Fluid temperature range (NBR)	°C (°F)	-30 +100 (-22 ... +212)
Fluid temperature range (Viton)	°C (°F)	-20 +120 (-4 ... +248)
Mass	kg (lbs)	0.328 (0.723)

	Data sheet	Type
General information	GI_0060	Products and operating conditions
Cavity details	SMT_0019	SMT-QE3*
Spare parts	SP_8010	

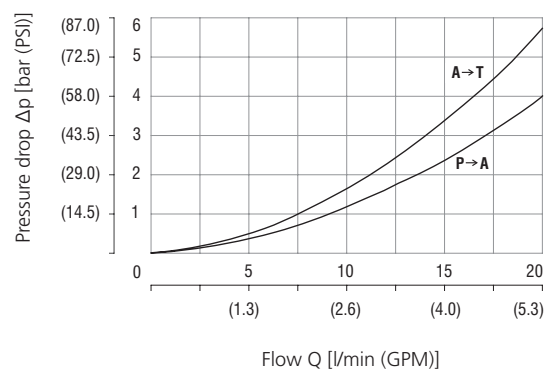
Characteristics measured at $v = 32 \text{ mm}^2/\text{s}$ (156 SUS)

Reduced pressure related to stroke of actuating system

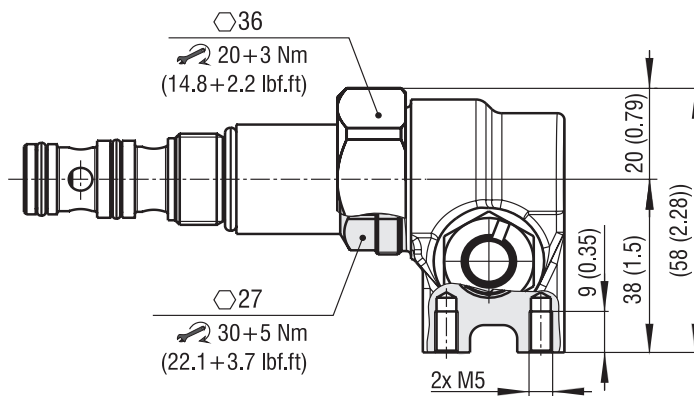
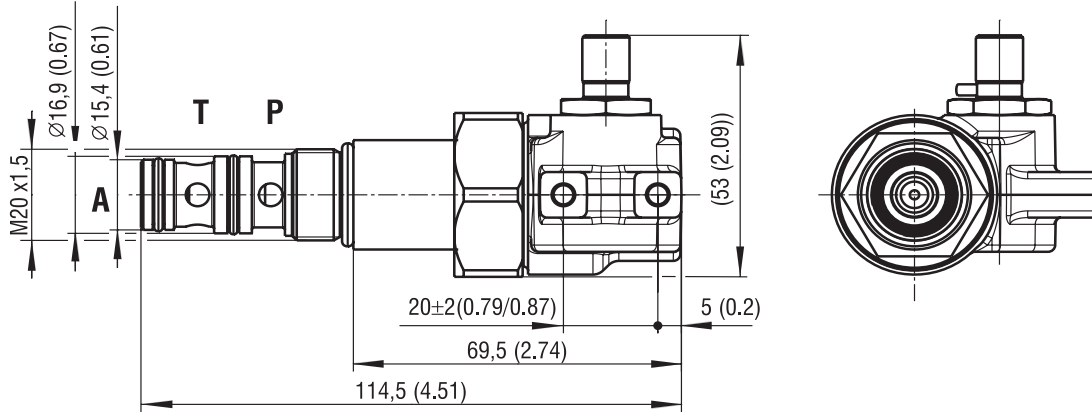


Pressure drop related to flow rate

A-T, relieving function
P-A, reducing function



Dimensions in millimeters (inches)



Ordering Code

PVRR1 - 063 / S - <input type="checkbox"/> - <input type="checkbox"/> <input type="checkbox"/> - <input type="checkbox"/>	
<p>Proportional Pressure Reducing - Relieving Valve, Manually Operated</p> <hr/> <p>Valve cavity M20x1.5 / QE3</p> <hr/> <p>Model screw-in cartridge</p> <hr/> <p>Range of regulated pressure 3.5 - 10 bar (51 - 145 PSI)</p>	<p style="text-align: center;">3,5/10</p> <hr/> <p style="text-align: center;">1</p>
<p style="text-align: center;">A</p> <hr/> <p style="text-align: center;">No designation V</p>	<p style="text-align: right;">Surface treatment zinc-coated (ZnCr-3), ISO 9227 (240 h)</p> <hr/> <p style="text-align: right;">Seals NBR FPM (Viton)</p> <hr/> <p style="text-align: right;">Actuator shaft with spring pin</p>