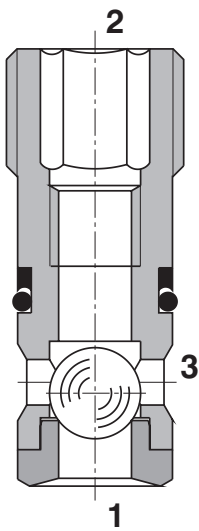


Load Shuttle Valve, Ball Type

LV1-043

G1/8 • Q_{max} 8 l/min (2 GPM) • p_{max} 500 bar (7300 PSI)

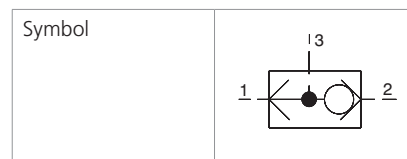


Technical Features

- › Rapid response to changes in load direction
- › Hardened precision parts
- › Sharp-edged steel seats for dirt-tolerant performance
- › Leak-free closing, suitable for durable fast-cycling
- › Compact design for a restricted installation space
- › In the standard version, the valve is without surface coating

Functional Description

A high pressure shuttle valve in the form of a screw-in cartridge. This valve prioritizes the respective higher pressure signal from either port 1 or 2. Tightness between ports 1 and 3 is ensured by a sharp-edge steel valve seat.



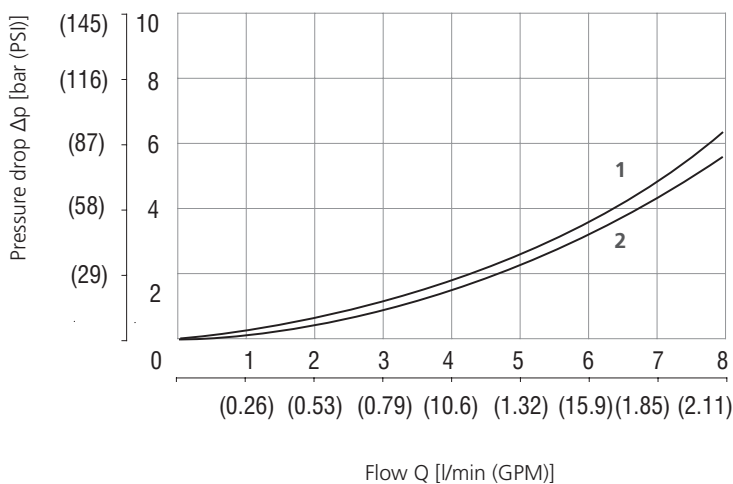
Technical Data

Valve size / Cartridge cavity		G1/8 / QY3
Max. flow	l/min (GPM)	8 (2.1)
Max. operating pressure	bar (PSI)	500 (7250)
Fluid temperature range (NBR)	°C (°F)	-30 +100 (-22 ... +212)
Fluid temperature range (FPM)	°C (°F)	-20 +120 (-4 ... +248)
Weight	kg (lbs)	0.01 (0.022)

	Datasheet	Type
General information	GI_0060	Products and operating conditions
Valve bodies	In-line mounted	SB_0018
Cavity details	SMT_0019	SMT-QY3*
Spare parts	SP_8010	

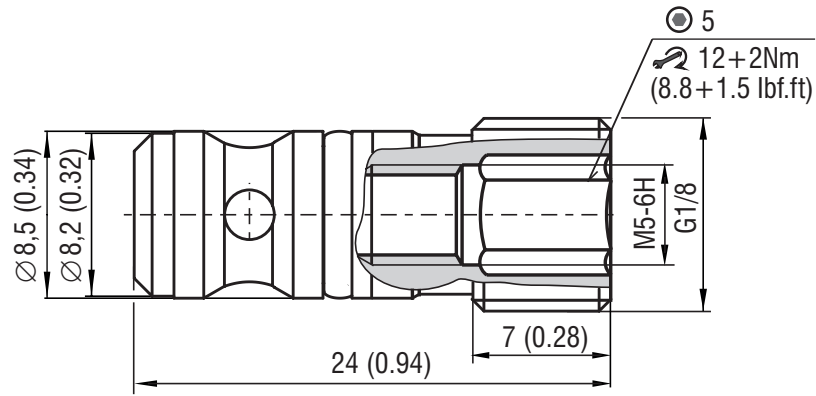
Characteristics measured at v = 32 mm²/s (156 SUS)

Pressure drop related to flow rate



	Flow direction
1	2→3
2	1→3

Dimensions in millimeters (inches)



Ordering Code

