

Return-Suction Filters**E 328 · E 498**

Tank top mounting · Connection up to G1½ / -24 SAE and SAE 2 · Nominal flow rate up to 600 l/min / 158.5 gpm

M

Return Suction Filter E 498

Description**Application**

For operation in units with hydrostatic drives, when the return flow is under all operating conditions higher than the oil flow of the feed pump.

Performance features*Protection against wear:*

By means of filter elements that even in full-flow filtration meet the highest demands regarding cleanliness classes.

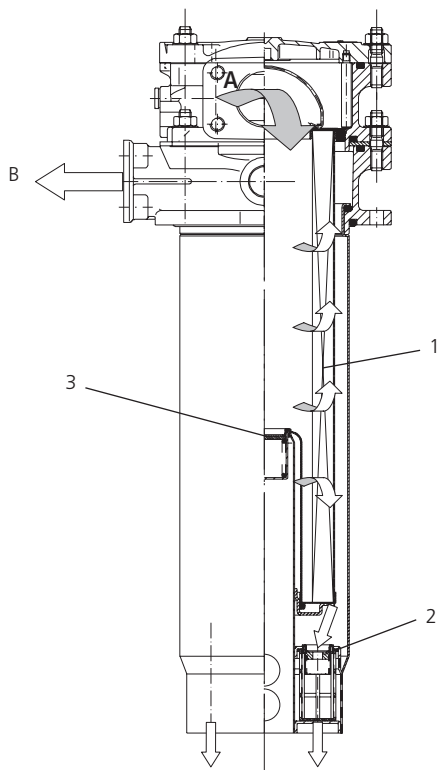
Suction filter function:

Because of the 100%-filtration of the suction flow, no dirt can get into the feed pump.

Return filter function:

By means of full-flow filtration in the system return, the pumps above all are protected from dirt particles remaining in the system after assembly, repairs, or which are generated by wear or enter the system from outside.

Function (schematic):



Functional characteristics

The hydraulic oil returning from the circuit (A) passes the filter element (1), is pressurized by three 0.5 bar / 7.3 psi check valves (2) and supplied to the feed pump (B). The surplus oil flows filtered over the integral check valve into the reservoir.

As the feed pump is always fed with pressurized oil, the risk of cavitation is minimized and full performance is available even during the critical cold start phase.

An integral pressure relief valve (3) prevents too high back pressure and protects the shaft seals against damages. As this valve leads the oil directly into the tank there is no direct connection between the return line (A) and the connection of the feed pump (B) (no by-pass valve function).

Two emergency-suction valves (4) with 300 µm protection strainer (5) supply the feed pump in case of a short term of lack of oil.

During normal operation, a lack of oil may definitely not occur (refer to "Design" section).

Start-up / De-aeration

For units with emergency-suction valve and protection strainer the start up set E 328.1700 can be used to de-aerate the hydraulic system at first start-up or at start up after repair; hereby the immediate supply of the feed pump with hydraulic oil is guaranteed.

For all other types, deaerating instructions published by the manufacturers of hydraulic drives must be observed.

Filter maintenance

By using a clogging indicator the correct moment for maintenance is indicated and guarantees therefore the optimum utilization of the filter elements.

Filter elements

Flow direction from center to the outside.

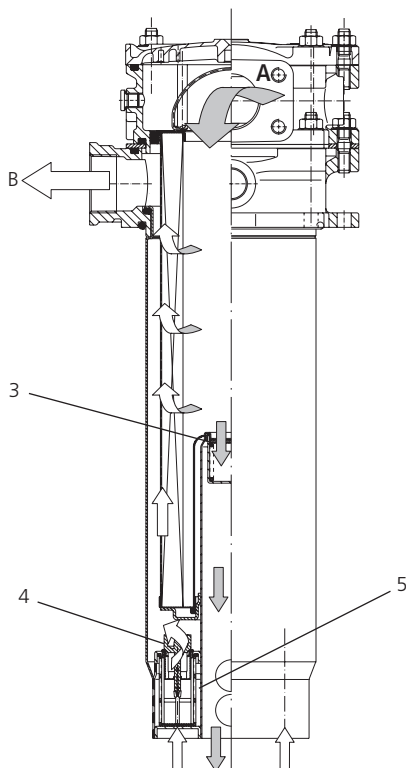
The star-shaped pleating of the filter material results in:

- › large filter surfaces
- › low pressure drop
- › high dirt-holding capacities
- › long service life

Accessories

Electrical and / or optical clogging indicators are available. Dimensions and technical data see catalog sheet 60.20.

Emergency-suction (schematic):



General

In machines with a hydrostatic drive and combined working hydraulic system, return-suction filters replace the suction or pressure filters previously required for the feed pump of the closed-loop hydrostatic drive circuit as well as the return filter for the open-loop working hydraulic circuit.

While each circuit operates independently with separate filters, the combination of the two circuits via the return-suction filter causes interaction between the circuits. If the design criteria described below are taken into account, you can take full advantage of the benefits provided by the return-suction filter concept, thus making sure that your system performs reliably even under extreme operating conditions.

Required return flow in the system

In order to maintain a pre-charge pressure of approx. 0.5 bar / 7.3 psi at the intake of the feed pump, the return flow must exceed the suction flow under any operating conditions:

- › Versions with hole (Ø 8 mm / 0.32 inch) in the pressurizing valve: at least 30 l/min / 7.9 gpm of excess flow

Permitted feed pump flow rate

- › at operating temperature ($v < 60 \text{ mm}^2/\text{s} / 280 \text{ SUS}, \text{rpm} = \text{max}$):
feed pump flow rate $< 0.5 \times$ rated return flow according to column 2 of selection table
- › at cold start-up ($v < 1000 \text{ mm}^2/\text{s} / 4635 \text{ SUS}, \text{rpm} = 1000 \text{ min}^{-1}$):
feed pump flow rate $< 0.2 \times$ rated return flow according to column 2 of selection table

Please contact us if your system operates with higher flow rates than stated above.

Flow velocity in the connecting lines

- › Flow velocity in the return lines $\leq 4.5 \text{ m/s} / 14.8 \text{ ft/s}$
- › Flow velocity in the suction lines $\leq 1.5 \text{ m/s} / 4.9 \text{ ft/s}$

Permitted pressure in the suction lines

At cold start up ($v < 1000 \text{ mm}^2/\text{s} / 4635 \text{ SUS}, \text{rpm} = 1000 \text{ min}^{-1}$):
feed pump flow rate $\leq 0.2 \times$ rated return flow. The pressure loss in the suction lines must not exceed 0.4 bar / 5.8 psi.

Backpressures in system return lines

If drain oil from the hydrostatic drive is routed across the filter in addition to the flow of the open-loop circuit, the following has to be observed in order to protect the shaft seals:

- › permitted leakage oil pressure for a given viscosity and speed (manufacturer's specifications!)
- › pressure loss caused by the leakage oil pipes
- › pressure loss caused by the oil cooler used
- › backpressure of the filter for a given flow rate or kinematic viscosity (refer to pressure loss diagrams)

Depending on the application, the use of a cooler by-pass valve is recommended.

Generously sized drain oil pipes are also of advantage.

Filter fineness grades

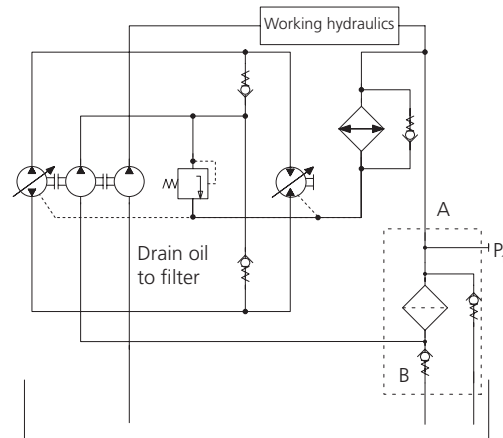
With the filter fineness grades available, the following oil cleanliness according to ISO 4406 can be achieved:

- › 10EX2: 18/15/11 ... 14/11/7
- › 16EX2: 20/17/12 ... 17/14/10

Even with the 16EX2 filter fineness grade, the requirements specified by manufacturers of hydrostatic drives are sometimes exceeded significantly. If components requiring a still better oil purity are used, we recommend the 10EX2 filter fineness grade.

Suggested circuit layouts

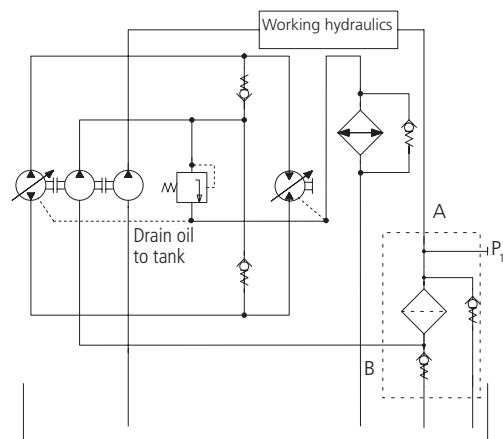
A) The leakage oil of the hydrostatic drive is routed across the filter.



The entire dirt produced in the hydrostatic drive by abrasion is filtered out immediately and is thus not taken in by the pump of the open-loop circuit.

This circuit layout is always recommended if the return flow only slightly exceeds the suction flow, i.e. if there is a risk that the 0.5 / 7.3 psi bar pre-charge pressure cannot be maintained.

B) The drain oil of the hydrostatic drive is not routed across the filter but is discharged directly into the tank



This circuit layout has the advantage that drain oil pressures are comparatively low.

Nominal flow rate

Up to 600 l/min / 158.5 gpm in return line
(see Selection Chart, column 2).

Up to 300 l/min / 79.3 gpm feed pump flow rate (see Layout).

The nominal flow rates indicated by ARGO-HYTOS are based on the following features:

- › closed by-pass valve at $v \leq 200 \text{ mm}^2/\text{s}$ / 927 SUS
- › element service life > 1000 operating hours at an average fluid contamination of 0.07 g per l/min / 0.27 g per gpm flow volume
- › flow velocity in the return lines $\leq 4.5 \text{ m/s}$ / 14.8 ft/s
- › flow velocity in the suction lines $\leq 1.5 \text{ m/s}$ / 4.9 ft/s

Connection

Threaded ports according to

- › ISO 228 or DIN 13
- › SAE standard J514 and
- › SAE flange (3000 psi).

Sizes see Selection Chart, column 6
(other port threads on request).

Please consider the connection size regarding max. flow volumes.

Filter fineness

10 $\mu\text{m(c)}$... 16 $\mu\text{m(c)}$

β -values according to ISO 16889

(see Selection Chart, column 4 and diagram Dx).

Dirt-holding capacity

Values in g test dust ISO MTD according to ISO 16889
(see Selection Chart, column 5).

Hydraulic fluids

Mineral oil and biodegradable fluids
(HEES and HETG, see info sheet 00.20).

Temperature range

-30 °C ... +100 °C (temporary -40 °C ... +120 °C)
-22 °F ... +212 °F (temporary -40 °F ... +248 °F)

Viscosity at nominal flow rate

- › at operating temperature: $v < 60 \text{ mm}^2/\text{s}$ / 280 SUS
- › as starting viscosity: $v_{\text{max}} = 1200 \text{ mm}^2/\text{s}$ / 5560 SUS
- › at initial operation:
The recommended starting viscosity can be read from the diagram D (pressure drop as a function of the kinematic viscosity) as follows: Find the 70% Δp of the cracking pressure of the by-pass valve on the vertical axis. Draw a horizontal line so that it intersects the Δp curve at a point. Read this point on the horizontal axis for the viscosity.

Operating pressure

Max. 10 bar / 145 psi

Materials

Screw-on cap:	Aluminum alloy
Filter head:	Aluminum alloy
Filter bowl:	Steel
Seals:	NBR (FPM on request)
Filter media:	EXAPOR®MAX 2 - inorganic multi-layer microfiber web

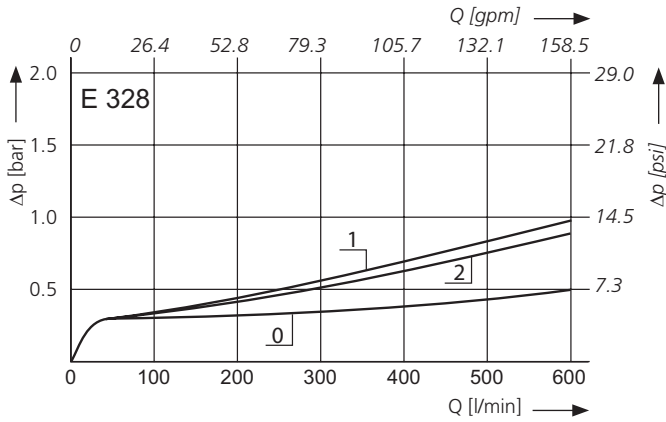
Fitting position

Up to 15° from the vertical, preferably vertical.

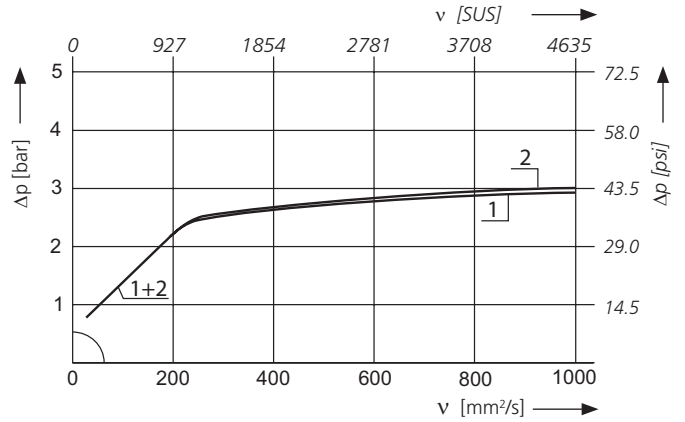
Even under unfavorable operating conditions (min. oil level, max. sloping) the oil outlet resp. emergency suction has to be below the oil level.

Δp-curves for complete filters in Selection Chart, column 3 (50 % of the nominal flow volume via connection B)

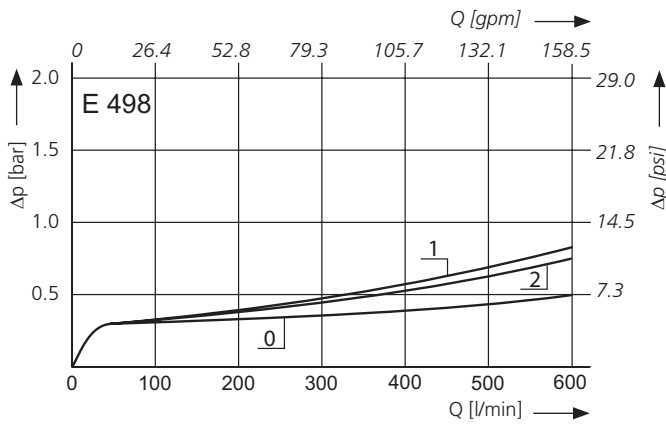
D1 Pressure drop as a function of the **flow volume** at $v = 35 \text{ mm}^2/\text{s}$ / 162 SUS (0 = casing empty)



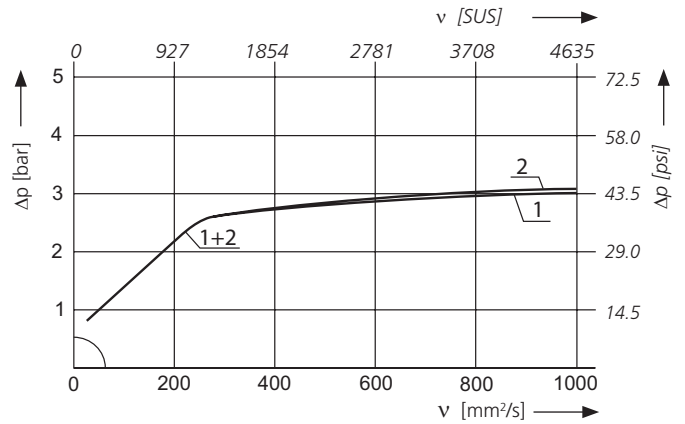
Pressure drop as a function of the **kinematic viscosity** at nominal flow



D2 Pressure drop as a function of the **flow volume** at $v = 35 \text{ mm}^2/\text{s}$ / 162 SUS (0 = casing empty)

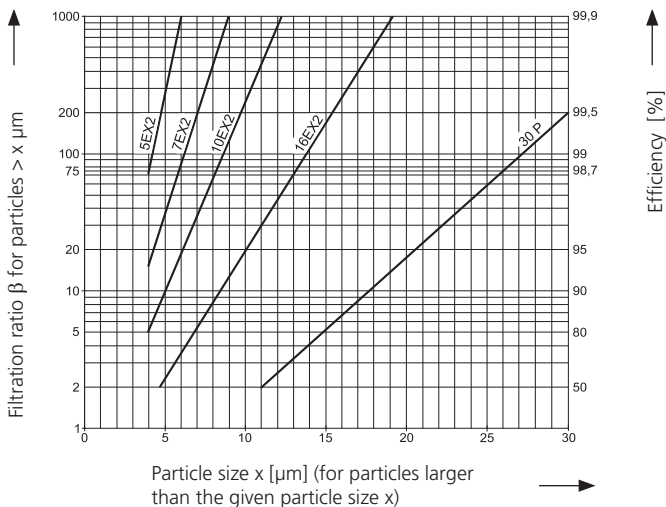


Pressure drop as a function of the **kinematic viscosity** at nominal flow



Filter fineness curves in Selection Chart, column 4

Dx Filtration ratio β as a function of particle size x obtained by the Multi-Pass-Test according to ISO 16889



The abbreviations represent the following β -values resp. finenesses:

For EXAPOR[®]MAX 2 and Paper elements:

5EX2 = $\bar{\beta}_{5(c)} = 200$	EXAPOR [®] MAX 2
7EX2 = $\bar{\beta}_{7(c)} = 200$	EXAPOR [®] MAX 2
10EX2 = $\bar{\beta}_{10(c)} = 200$	EXAPOR [®] MAX 2
16EX2 = $\bar{\beta}_{16(c)} = 200$	EXAPOR [®] MAX 2
30P = $\bar{\beta}_{30(c)} = 200$	Paper

Based on the structure of the filter media of the 30P paper elements, deviations from the printed curves are quite probable.

For special applications, finenesses differing from these curves are also available by using special composed filter material.

Selection Chart

Part No.	Nominal return flow rate ¹	Pressure drop see diagram D /curve no.	Filter fineness see Diagr. Dx	Dirt-holding capacity	Connection A/B SAE (3000 psi)	Cracking pressure of CV ¹	Cracking pressure of PRV ²	Symbol	Suction valve	Replacement filter element Part No.	Weight	Remarks
	l/min		g		bar	bar					kg	
1	2	3	4	5	6	7	8	9	10	11	12	13
E 328-156	360	D1/1	10EX2	140	G1½ / SAE2 + G1	0.5	2.5	1	•	V5.1240-06	8.6	4+5
E 328-158	470	D1/2	16EX2	140	G1½ / SAE2 + G1	0.5	2.5	1	•	V5.1240-07	8.6	4+5
E 498-156	480	D2/1	10EX2	200	G1½ / SAE2 + G1	0.5	2.5	1	•	V5.1260-06	10.4	4+5
E 498-158	600	D2/2	16EX2	200	G1½ / SAE2 + G1	0.5	2.5	1	•	V5.1260-07	10.4	4+5

¹ The individual flow rates must be matched to the connections

² Cracking pressure of check valve

³ Cracking pressure of pressure relief valve

⁴ With hole Ø 8 mm / 0.32 inch in the check valve for oil drain when opening the filter cover

⁵ With emergency-suction valves and protection strainers (mesh size 300 µm)

All filters are delivered with plugged clogging indicator connections M12 x 1.5.

As clogging indicators on the return side (P₁), either manometers or electrical pressure switches can be used.

The monitoring of the vacuum on the suction side (P₂) is additionally possible.

Order example: The filter E 328-156 has to be supplied with 2 x 4 connections (A₁ ... A₄, B₁ ... B₄).

Order description:

E 328-256

Connections:

2 various options are available:

2 x 2 connections (A und A₄, B und B₄) - G1½ / SAE 2 + G1 (with locking screw) — 1

2 x 4 connections (A₁ ... A₄, B₁ ... B₄) - 2 x G1¼ / SAE 1½, G¾ + G1 — 2

(SAE 2 on request)

For the appropriate clogging indicator see catalog sheet 60.20.

Remarks:

- › The start of the red area respectively the switching pressure of the electrical pressure switch has always to be lower than the cracking pressure of the pressure relief valve (see Selection Chart, column 9).
- › Clogging indicators are optional and always delivered detached from the filter.
- › The filters listed in this chart are standard filters. If modifications are required, we kindly ask for your request.
- › For de-aeration a bleed screw (for connecting P₁) with Part No. SV 0112.15 is available.

Selection Chart

Part No.	Nominal return flow rate ¹	Pressure drop see diagram D /curve no.	Filter fineness see Dx	Dirt-holding capacity	Connection A/B SAE (3000 psi)	Cracking pressure of CV ²	Cracking pressure of PRV ³	Symbol	Suction valve	Replacement filter element Part No.	Weight	Remarks
	gpm		g	SAE	psi	psi					lbs	
1	2	3	4	5	6	7	8	9	10	11	12	13
E 328-756	95.1	D1/1	10EX2	140	-24 ⁴ / SAE2 + -16 ⁵	7.3	36	1	•	V5.1240-06	19.0	6+7
E 328-758	124.2	D1/2	16EX2	140	-24 ⁴ / SAE2 + -16 ⁵	7.3	36	1	•	V5.1240-07	19.0	6+7
E 498-756	126.8	D2/1	10EX2	200	-24 ⁴ / SAE2 + -16 ⁵	7.3	36	1	•	V5.1260-06	22.9	6+7
E 498-758	158.5	D2/2	16EX2	200	-24 ⁴ / SAE2 + -16 ⁵	7.3	36	1	•	V5.1260-07	22.9	6+7

¹ The individual flow rates must be matched to the connections

² Cracking pressure of check valve

³ Cracking pressure of pressure relief valve

⁴ Corresponds to 1⁷/₁₈-12 UN

⁵ Corresponds to 1⁵/₁₆-12 UN

⁶ With hole Ø 0.32 inch / 8 mm in the check valve for oil drain when opening the filter cover

⁷ With emergency-suction valves and protection strainers (mesh size 300 µm)

All filters are delivered with plugged clogging indicator connections M12 x 1.5 mm.

As clogging indicators on the return side (P₁) either manometers or electrical pressure switches can be used.

The monitoring of the vacuum on the suction side (P₂) is additionally possible.

Order example: The filter E 328-756 has to be supplied with 2 x 4 connections (A₁ ... A₄, B₁ ... B₄).

Order description:

E 328-856

Connections:

2 various options are available:

2 x 2 connections (A und A₄, B und B₄) - -24 SAE / SAE 2 + -16 SAE (with locking screw) — 7

2 x 4 connections (A₁ ... A₄, B₁ ... B₄) - 2 x -20 SAE / SAE 1¹/₂, -12 SAE + -16 SAE — 8 (SAE 2 on request)

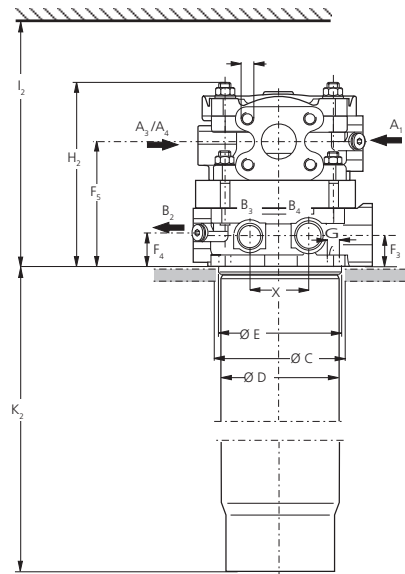
For the appropriate clogging indicator see catalog sheet 60.20.

Remarks:

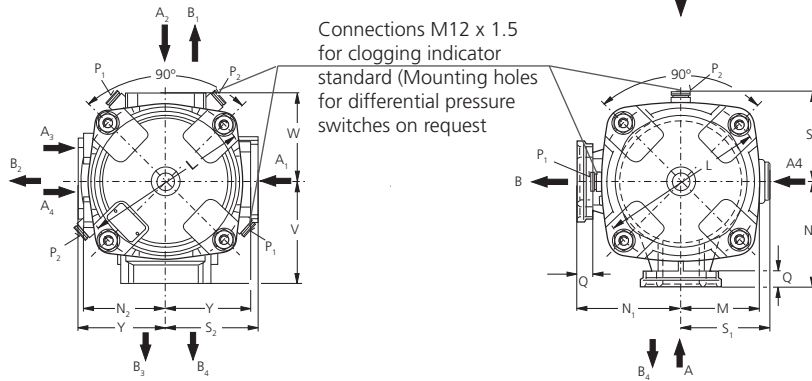
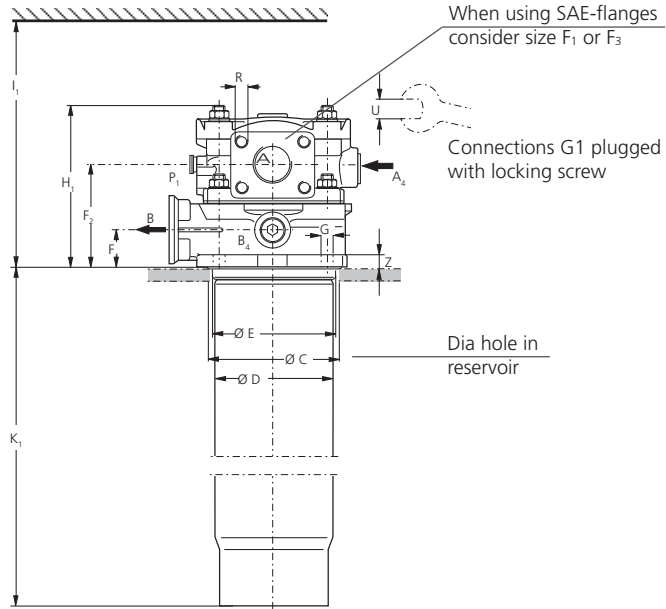
- › The start of the red area respectively the switching pressure of the electrical pressure switch has always to be lower than the cracking pressure of the pressure relief valve (see Selection Chart, column 9).
- › Clogging indicators are optional and always delivered detached from the filter.
- › The filters listed in this chart are standard filters. If modifications are required, we kindly ask for your request.
- › For de-aeration a bleed screw (for connecting P₁) with Part No. SV 0112.15 is available.

Dimensions

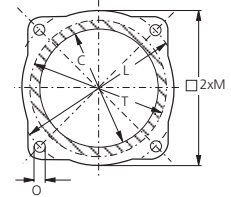
Version with 2 x 4 connections



Version with 2 x 2 connections



Port sizes and mounting surface (O-ring area of support hatched)



Tank surface sealing with O-ring N007.1375 (included in basic equipment)

Measurements in mm

Type	A	B	C	D	E	F ₁ *	F ₂ *	F ₃ *	F ₄	F ₅	G	H ₁	H ₂	I ₁	I ₂
E 328	s. Selection Chart	s. Selection Chart	140.5	138	139.9	36	104.5	32	35	126	11.5	165	185	540	565
E 498	s. Selection Chart	s. Selection Chart	140.5	138	139.9	36	104.5	32	35	126	11.5	165	185	750	780

Type	K ₁	K ₂	L	M	N ₁	N ₂	O	Q	R	S ₁	S ₂	T	U	V	W	X	Y	Z
E 328	425	403	185	86.5	116	89	M10	18	M12	99	109	160	AF 17	106	102	70	98	12
E 498	630	605	185	86.5	116	89	M10	18	M12	99	109	160	AF 17	106	102	70	98	12

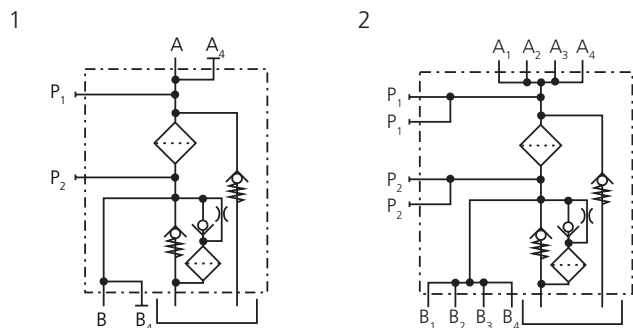
Measurements in inch

Type	A	B	C	D	E	F ₁ *	F ₂ *	F ₃ *	F ₄	F ₅	G	H ₁	H ₂	I ₁	I ₂
E 328	s. Selection Chart	s. Selection Chart	5.53	5.43	5.51	1.42	4.11	1.26	1.38	4.96	0.45	6.50	7.28	21.26	22.24
E 498	s. Selection Chart	s. Selection Chart	5.53	5.43	5.51	1.42	4.11	1.26	1.38	4.96	0.45	6.50	7.28	29.53	30.71

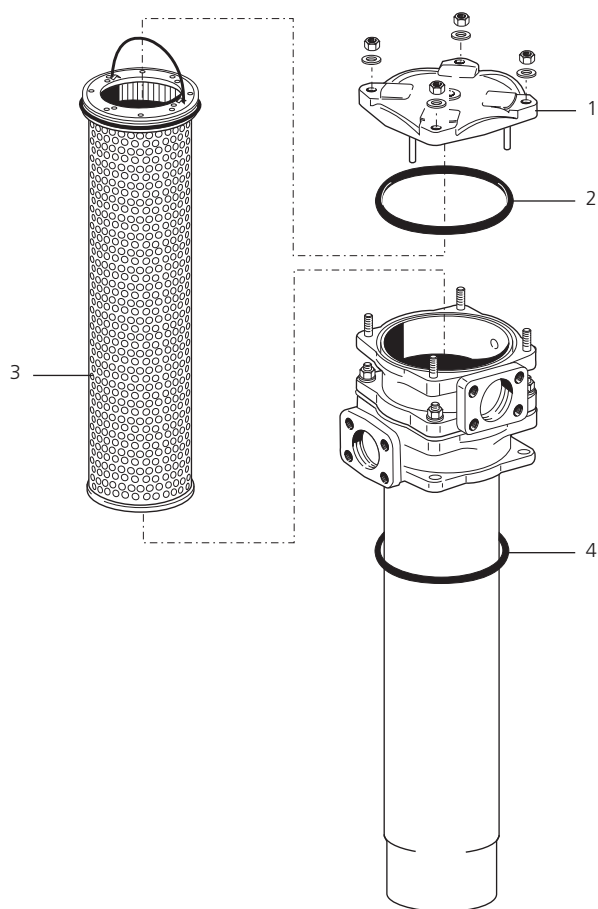
Type	K ₁	K ₂	L	M	N ₁	N ₂	O	Q	R	S ₁	S ₂	T	U mm	V	W	X	Y	Z
E 328	16.73	15.87	7.28	3.41	4.57	3.50	M10	0.71	M12	3.90	4.29	6.30	AF17	4.17	4.02	2.76	3.86	0.47
E 498	24.80	23.82	7.28	3.41	4.57	3.50	M10	0.71	M12	3.90	4.29	6.30	AF17	4.17	4.02	2.76	3.86	0.47

*For use of SAE-flanges see this measurement

Symbols



Spare Parts



Pos.	Designation	Part. No.
1	Cover	E 443.1225
2	O-ring 151.76 x 5.33 mm 5.98 x 0.21 inch	N007.1525
3	Replacement filter element	see Chart / col. 11
4	O-ring 136.5 x 5.34 mm 5.37 x 0.21 inch	N007.1375

The functions of the complete filters as well as the outstanding features of the filter elements assured by ARGO-HYTOS can only be guaranteed if original ARGO-HYTOS spare parts are used.

Quality Assurance

Quality management according to DIN EN ISO 9001

To ensure constant quality in production and operation, ARGO-HYTOS filter elements undergo strict controls and tests according to the following ISO standards:

ISO 2941	Verification of collapse / burst pressure rating
ISO 2942	Verification of fabrication integrity (Bubble Point Test)
ISO 2943	Verification of material compatibility with fluids
ISO 3968	Evaluation of pressure drop versus flow characteristics
ISO 16889	Multi-Pass-Test (evaluation of filter fineness and dirt-holding capacity)
ISO 23181	Determination of resistance to flow fatigue using high viscosity fluid

Various quality controls during the production process guarantee the leakfree function and solidity of our filters.

Illustrations may sometimes differ from the original. ARGO-HYTOS is not responsible for any unintentional mistake in this specification sheet.