

DM04 (06,10)

Size 04 (06,10) • Al p_{max} 250 bar (3600 PSI)



Technical Features

- › Modular plate with side outlets for pressure sensing, pressure control signal or to connect individual parts to the circuit
- › Subplate mounting interface acc. to ISO 4401, DIN 24340 (CETOP 02, 03 and 05) Size 04, 06 and 10
- › Wide range of varied connection plates
- › Plate material – Aluminium, EN AW-7075 T4

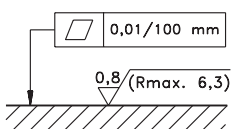
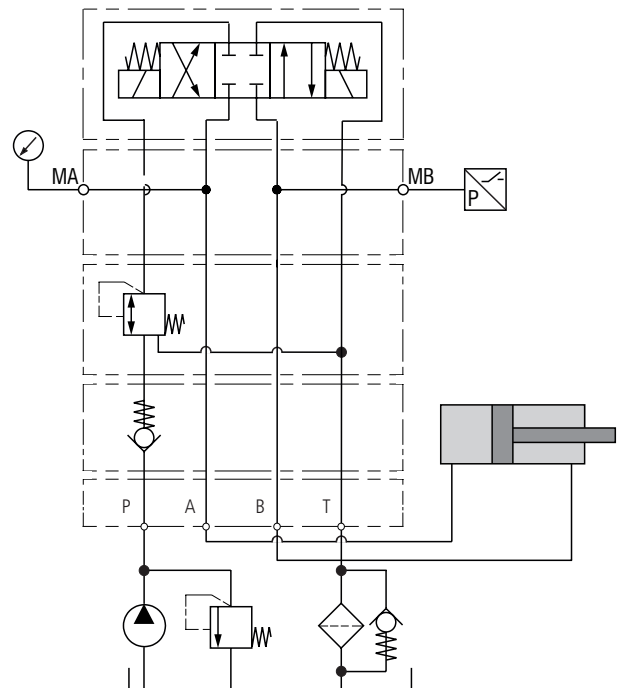
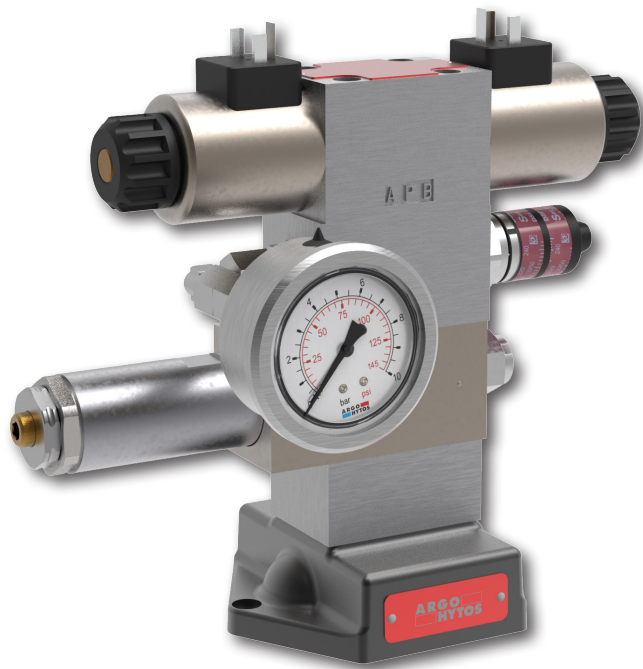
Technical Data

Valve size		04 (D02)	06 (D03)	10 (D05)
Max. operating pressure	bar (PSI)	250 (3630)		
Weight		see Pages 3 - 4		

	Datasheet	Type
General information	GI_0060	Products and operating conditions
Stud kits for ISO 02 (03, 05) Sandwich Bodies D02, D03 and D05_HA 0020		

Screw sets - have to be ordered separately see datasheet Stud kits for ISO 02 (03, 05) Sandwich Bodies (D02, D03 and D05_HA 0020).

Example - block with measuring plate, manometer and a pressure switch



Required surface quality of the counterpart

Ordering Code

Modular Measuring
and Functional Plates

Size, mounting interface acc. to
ISO 4401-02-01-0-05, (CETOP 02) **04**
ISO 4401-03-02-0-05, (CETOP 03) **06**
ISO 4401-05-04-0-05, (CETOP 05) **10**

Number of ports

Code of the Functional Symbol

DM - 2 - 1 AL N -

No designation

Surface treatment
without treatment

Seals
NBR

Material plate
Aluminium EN AW-7075 T4 (250 bar (3630 PSI))

Connecting thread
G1/4

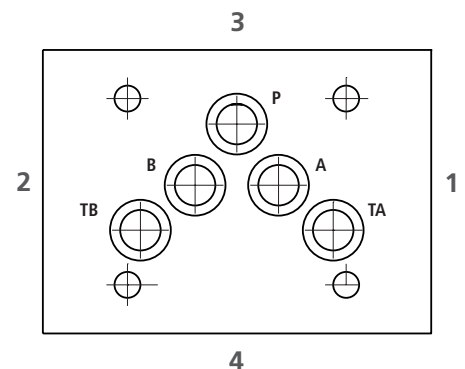
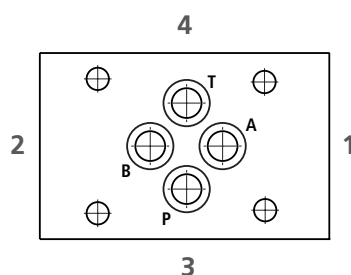
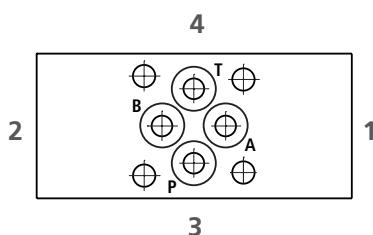
2	P1P2		Two connected P outputs on 1 and 2 side
2	P1T2		Output P on 1 side and output T on 2 side
2	P2T1		Output P on 2 side and output T on 1 side
2	P2A1		Output P on 2 side and output A on 1 side
2	P1B2		Output P on 1 side and output B on 2 side
2	A1B2		Output A on 1 side and output B on 2 side
2	AB12		Outputs A and B connected together
2	A1A2		Two connected A outputs on 1 and 2 side
2	B1B2		Two connected B outputs on 1 and 2 side

Meaning of numbers in the code of the functional symbol

Size 04 (D02)

Size 06 (D03)

Size 10 (D05)



Dimensions in millimeters (inches) - preferred types

Not all listed combinations of key types are produced as standard. A list of the preferred types are shown in the table. For the identification and verification of manufacturability of other versions, please contact our technical department.

DM04-* Illustration pictures

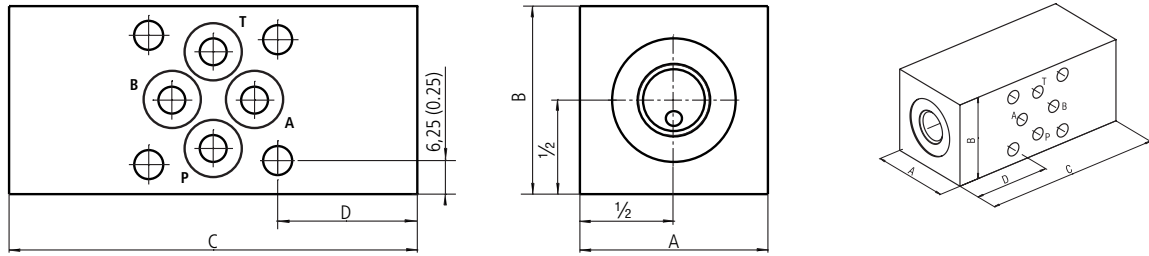


Plate size	Cavity thread	Ordering code	Dimensions AxBxC/D mm (in)	Weight kg (lbs)	Ordering Number
04	G1/4	DM04-2A1B2-1ALN	35x35x76/26 (1.38x1.38x2.99/1.02)	0.24 (0.53)	23651700
	G1/4	DM04-2P1P2-1ALN	35x35x76/26 (1.38x1.38x2.99/1.02)	0.24 (0.53)	40218700
	G1/4	DM04-2P2T1-1ALN	35x35x76/26 (1.38x1.38x2.99/1.02)	0.24 (0.53)	42168700
	G1/4	DM04-2P2A1-1ALN	35x35x76/26 (1.38x1.38x2.99/1.02)	0.24 (0.53)	42168800
	G1/4	DM04-2P1B2-1ALN	35x35x76/26 (1.38x1.38x2.99/1.02)	0.24 (0.53)	42169000

DM06-* Illustration pictures

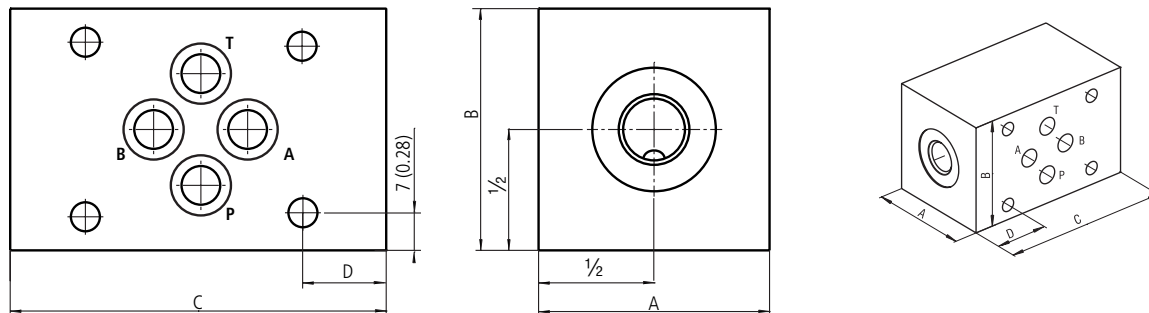


Plate size	Cavity thread	Ordering code	Dimensions AxBxC/D mm (in)	Weight kg (lbs)	Ordering Number
06	G1/4	DM06-2A1A2-1ALN	43x45x68/12,5 (1.69x1.77x2.68/0.49)	0.50 (1.10)	42170000
	G1/4	DM06-2A1B2-1ALN	43x45x70/14 (1.69x1.77x2.76/0.55)	0.53 (1.17)	16771900
	G1/4	DM06-2AB12-1ALN	43x45x70/14 (1.69x1.77x2.76/0.55)	0.53 (1.17)	42170200
	G1/4	DM06-2B1B2-1ALN	43x45x68/12,5 (1.69x1.77x2.68/0.49)	0.50 (1.10)	42170300
	G1/4	DM06-2P1P2-1ALN	43x45x70/14 (1.69x1.77x2.76/0.55)	0.53 (1.17)	40218900
	G1/4	DM06-2P2T1-1ALN	43x45x70/14 (1.69x1.77x2.76/0.55)	0.53 (1.17)	40219200
	G1/4	DM06-2P2A1-1ALN	43x45x70/14 (1.69x1.77x2.76/0.55)	0.53 (1.17)	42170600
	G1/4	DM06-2P1B2-1ALN	43x45x70/14 (1.69x1.77x2.76/0.55)	0.53 (1.17)	42170700

Dimensions in millimeters (inches) - preferred types

DM10-* Illustration pictures

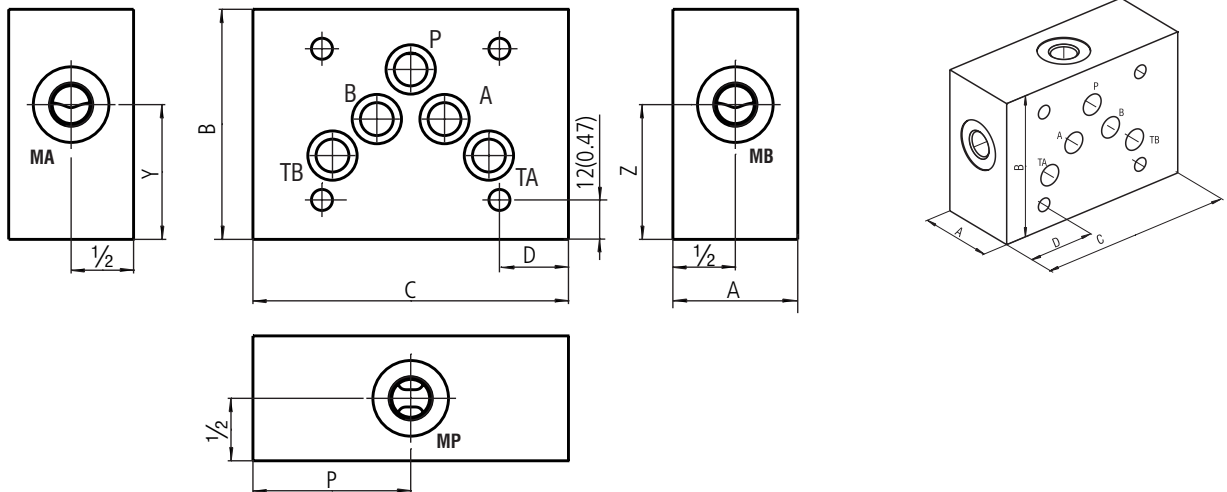


Plate size	Cavity thread	Ordering code	Port	Y mm (in)	Port	Z mm (in)	Port	P mm (in)	Dimensions AxBxC/D mm (in)	Weight kg (lbs)	Ordering Number
10	G1/4	DM10-2A1B2-1ALN	MA	41 (1.61)	MB	41 (1.61)	-	-	38x70x96/21 (1.50x2.76x3.78/0.83)	0.50 (1.10)	40219300
	G1/4	DM10-2P1P2-1ALN	MP	22.5 (0.86)	MP	22.5 (0.86)	-	-	43x70x96/21 (1.69x2.76x3.78/0.83)	0.74 (1.63)	42171100
	G1/4	DM10-2P1T2-1ALN	MP	47.5 (1.87)	MT	25.5 (1.00)	-	-	43x70x96/21 (1.69x2.76x3.78/0.83)	0.74 (1.63)	42171200
	G1/4	DM10-2P2A1-1ALN	MA	40.5 (1.59)	MP	47.5 (1.87)	-	-	43x70x96/21 (1.69x2.76x3.78/0.83)	0.74 (1.63)	42171300