

**Oil Drain Valves****AV · TV**

For mobile and industrial applications · Connection up to M32 x 1.5 / R1"



Oil drain valves

**Description****Application**

Alternatively to oil drain plugs at oil tanks you can also insert ARGO-HYTOS oil drain valves of type series AV20 or TV. The oil can precisely be discharged over the drain hole into a container or be sucked off by connected oil pumps or ARGO-HYTOS oil service units. Oil change or oil service is being simplified and can be effected almost without losing any oil. Examples for applications: Oil storage tanks in all industries, gear boxes, test benches, axles of rail vehicles.

**Design and function**

ARGO-HYTOS oil drain valves consist of a housing with spindle and poppet sealing. The poppet is opened by the spindle and the oil then will be drained. Threads at the oil drain hole allow connection of oil pumps or ARGO-HYTOS oil service units.

**Special design features**

- › Sealing by precise steel ball
- › With Type AV additional sealing of the spindle

**Fixing**

At the bottom of the tank by screw connection.

**Operating pressure**

Max. 1 bar / 14.5 psi absolute  
(not applicable with pressurized containers)

**Connection**

Threaded port – see Measurements

**Hydraulic fluids**

Mineral oil and biodegradable hydraulic fluids  
(HEES and HETG, see info-sheet 00.20)

**Temperature range of fluids**

-30 °C ... +100 °C  
-22 °F ... +212 °F

**Ambient temperature range**

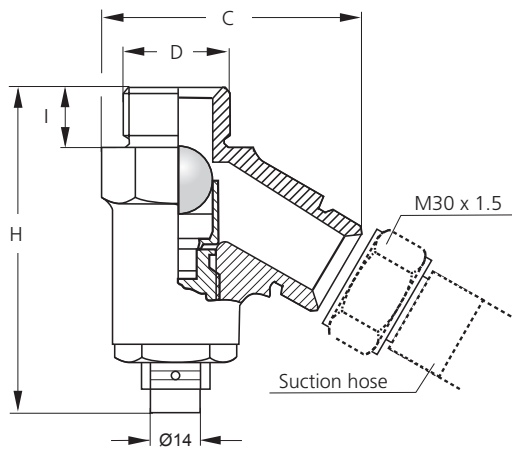
-30 °C ... + 80 °C  
-22 °F ... +212 °F

**Materials**

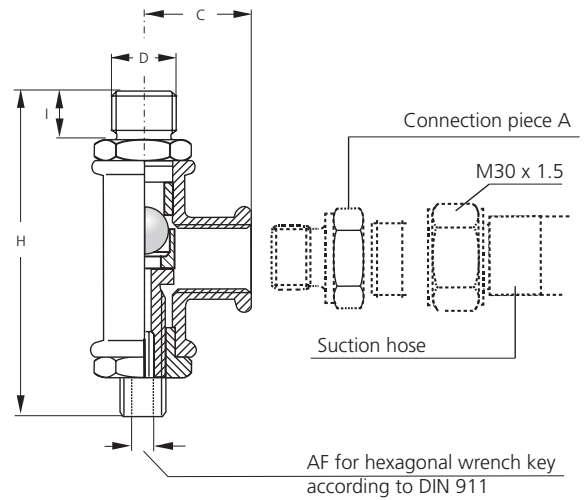
Housing: Malleable iron powder-coated  
Spindle and ball: steel  
Operating position: vertical or horizontal

## Dimensions

### Type AV



### Type TV



## Measurements

### Type AV

| Part No. | Type   | D         | C  |      | H  |      | I  |      | AF<br>mm |
|----------|--------|-----------|----|------|----|------|----|------|----------|
|          |        |           | mm | inch | mm | inch | mm | inch |          |
| EC330400 | AV20   | M32 x 1.5 | 75 | 2.95 | 93 | 3.66 | 16 | 0.63 | 14       |
| EC330410 | AV20/1 | M30 x 1.5 | 75 | 2.95 | 93 | 3.66 | 16 | 0.63 | 14       |

### Type TV

| Part No. | Type      | D      | C  |      | H   |      | I  |      | Connection A        | AF<br>mm |
|----------|-----------|--------|----|------|-----|------|----|------|---------------------|----------|
|          |           |        | mm | inch | mm  | inch | mm | inch |                     |          |
| EC330110 | TV R 1/2" | R 1/2" | 28 | 1.10 | 92  | 3.62 | 15 | 0.59 | M30 x 1.5 to R 1/2" | 6        |
| EC330120 | TV R 3/4" | R 3/4" | 33 | 1.30 | 102 | 4.02 | 16 | 0.63 | M30 x 1.5 to R 3/4" | 8        |
| EC330130 | TV R1"*   | R 1"   | 38 | 1.50 | 125 | 4.92 | 18 | 0.71 | M30 x 1.5 to R 1"   | 8        |

\* For type TV R1" (EC330130), the spindle is additionally sealed with cap nut and flat gasket (not shown in drawing).