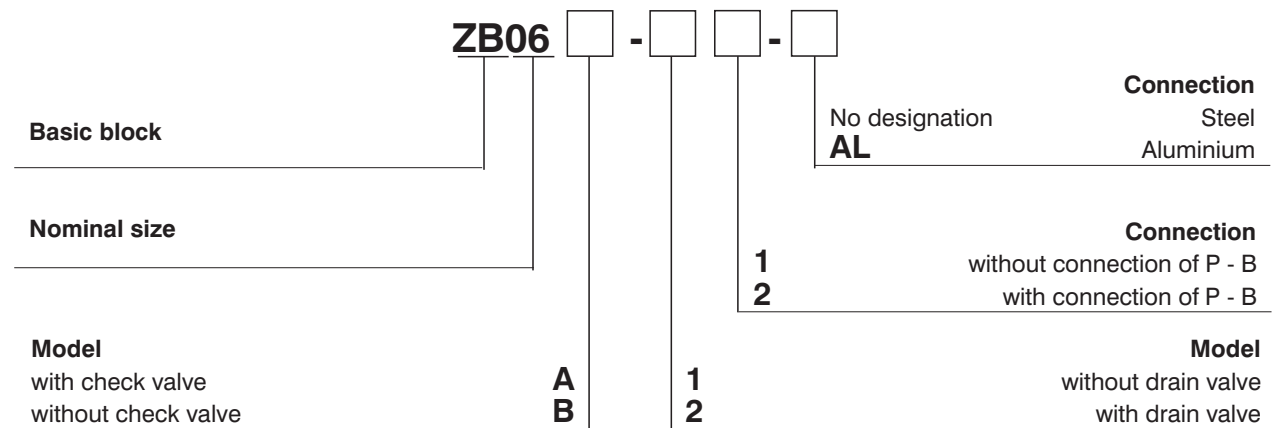


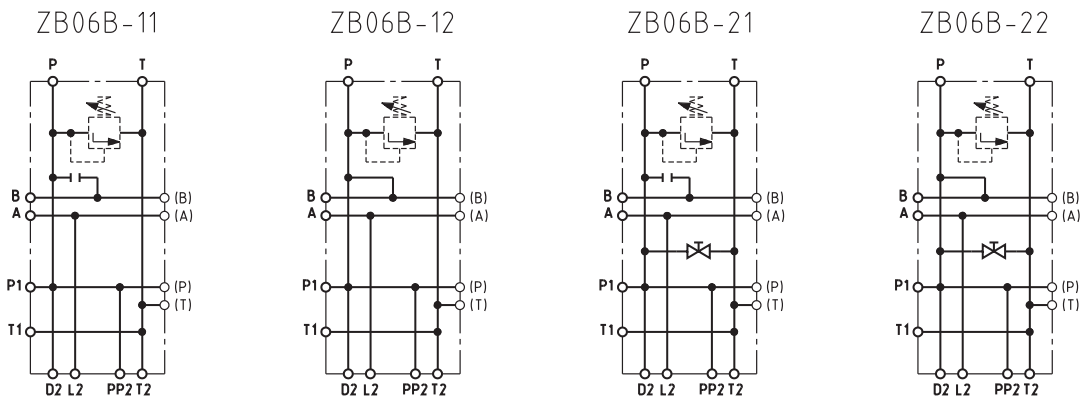
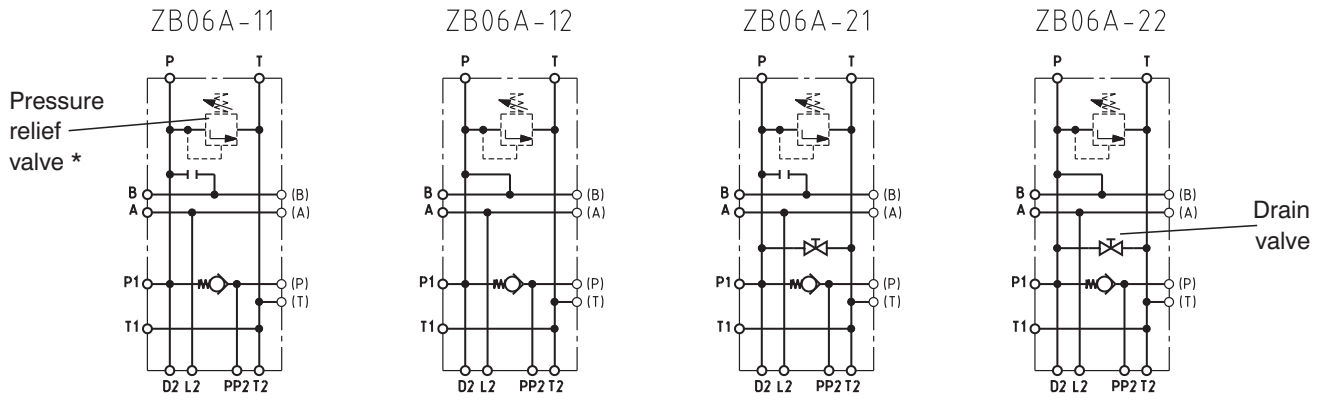
- Block for mounting on the tank covers of the power packs
- 8 models
- Enable connection of PD connecting plates – see catalogue HA 0006
- Mounting cavity for pressure relief valve VPP1 or VPP2 – see catalogue HA 5061 and HA 5062
- Installation dimensions to DIN 24 340-A6 and ISO 4401-AB-03-4-A



**Ordering Code**



# Functional symbols



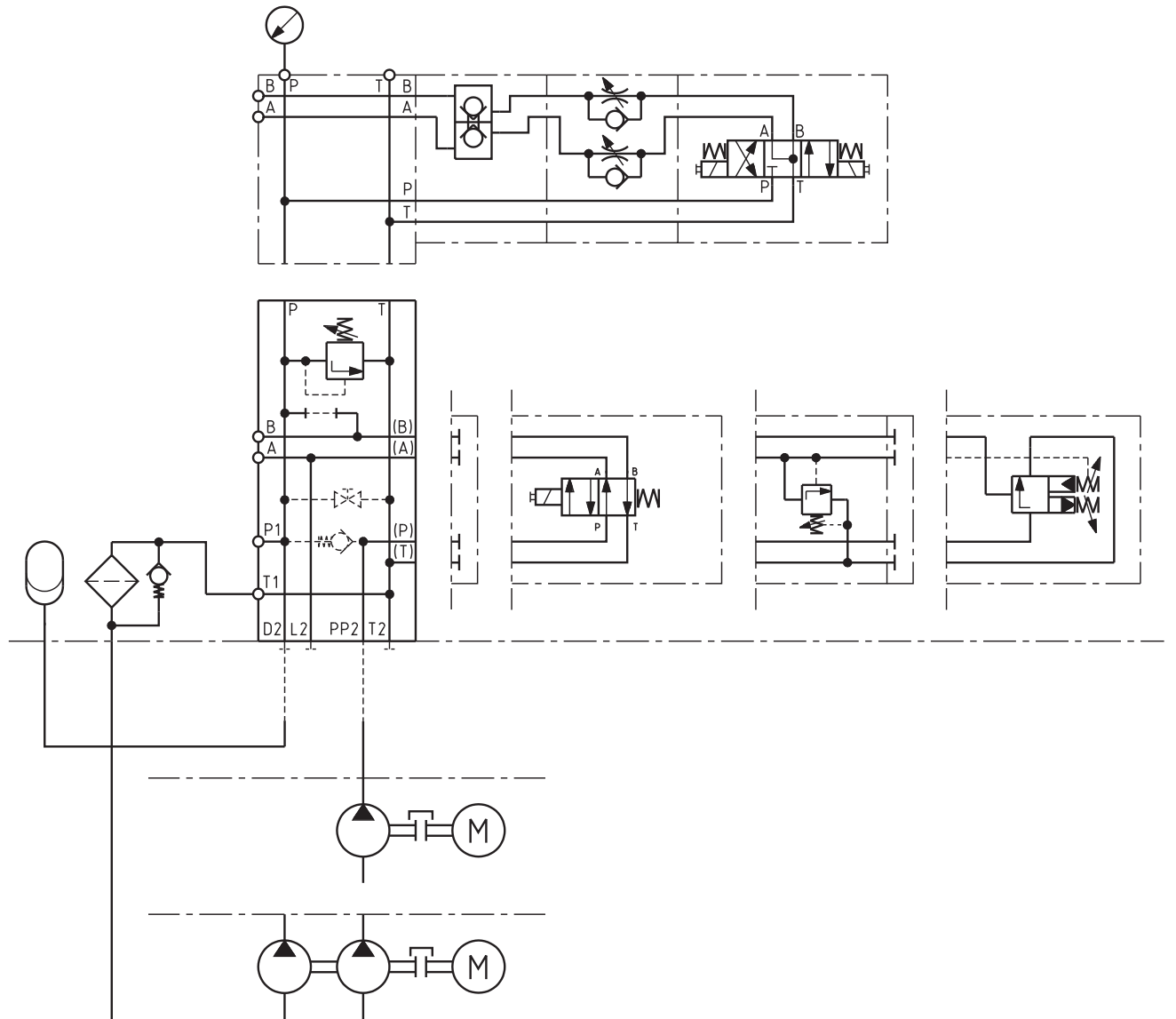
\* Pressure relief valve does not belong to delivery.

## Type Survey

Type	Ordering number	Pressure [bar]	Weight [kg]
ZB06A-11	23686401	320	4.7
ZB06A-12	23686601	320	4.7
ZB06A-21	23686501	320	4.7
ZB06A-22	23686701	320	4.7
ZB06B-11	23687001	320	4.7
ZB06B-12	23687401	320	4.7
ZB06B-21	23687201	320	4.7
ZB06B-22	23687501	320	4.7

# Hydraulic Circuit

## Typical circuit

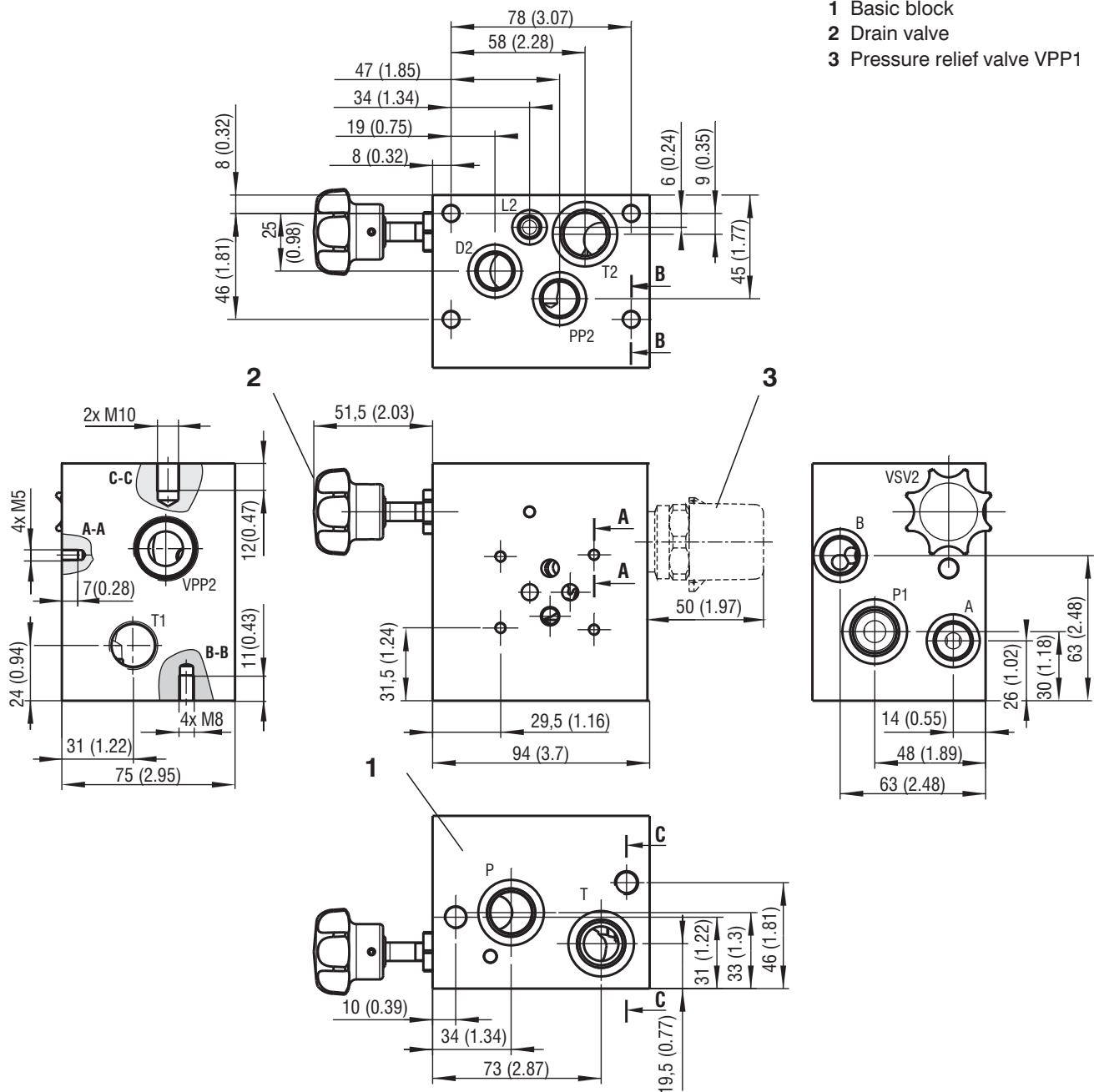


This block enables a great number of circuit arrangements. The above shown example represents only one of many possible variants.

# Valve Dimensions

Dimensions in millimeters

- 1 Basic block
- 2 Drain valve
- 3 Pressure relief valve VPP1



Port	P	T	P1	T1	T2	A	B	PP2	D2	L2
Thread	G1/2	G1/2	G1/2	G1/2	G1/2	G3/8	G3/8	G3/8	G3/8	G1/8
O-Ring	23.4x2.62	23.4x2.62	-	-	-	-	-	-	-	-

## Caution

- The packing foil is recyclable.
- The technical information regarding the product presented in this catalogue is for descriptive purposes only. It should not be construed in any case as a guaranteed representation of the product properties in the sense of the law.

ARGO-HYTOS s.r.o. CZ - 543 15 Vrchlaví  
 Tel.: +420-499-403 111  
 E-mail: info.cz@argo-hytos.com  
 www.argo-hytos.com